

VS-25-BU-DSUB-ER - Contact insert



1689886

<https://www.phoenixcontact.com/de/produkte/1689886>

Please be informed that the data shown in this PDF document is generated from our Online Catalog. Please find the complete data in the user documentation. Our General Terms of Use for Downloads are valid.

D-SUB contact insert, shell size 3, with 25 signal contacts, type of contact socket, for PCB mounting, angled, fixing with M3 thread and solder pins, for panel mounting frame VS-25-...



Your advantages

- D-SUB 25 connection
- Compatible with IP67 sleeve housing and panel-mount frame
- Easy assembly

Commercial Data

Item number	1689886
Packing unit	10 pc
Minimum order quantity	10 pc
Sales Key	D1 - Steckverbinder
Product Key	ABNCAB
Catalog Page	Page 211 (C-2-2013)
GTIN	4017918914288
Weight per Piece (including packing)	23,9 g
Weight per Piece (excluding packing)	19,8 g
Customs tariff number	85366990
Country of origin	DE

VS-25-BU-DSUB-ER - Contact insert

1689886

<https://www.phoenixcontact.com/de/produkte/1689886>

Technical Data

Product properties

Type	D-SUB
Product type	Female insert
Number of positions	25
Connection profile	D-SUB
Number of slots	1
Type	Socket
Shielded	yes

Insulation characteristics

Overvoltage category	III
Degree of pollution	2

Electrical properties

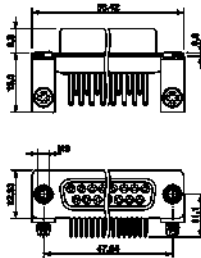
Rated voltage in acc. with IEC 61076-2-101	400 V
Rated voltage (III/3)	125 V
Rated surge voltage	1 kV
Rated current	5 A (at 20 °C)
Test voltage	1200 V
Transmission medium	Copper
Power transmission	Power

Connection data

Connection technology

Connection method	Wave soldering contacts
-------------------	-------------------------

Dimensions

Dimensional drawing	
Width	21.7 mm
Height	17.6 mm
Length	53.42 mm

Material specifications

Flammability rating according to UL 94	V0
--	----

VS-25-BU-DSUB-ER - Contact insert



1689886

<https://www.phoenixcontact.com/de/produkte/1689886>

Housing surface material	metal-plated
Contact material	Copper alloy
Contact surface material	Gold
Contact carrier material	PBT-GF
Housing material	Metal

Mechanical properties

Mechanical data

Insertion/withdrawal cycles	≥ 50
Insertion force per signal contact	$\leq 3.40 \text{ N}$

Environmental and real-life conditions

Ambient conditions

Degree of protection	IP20
Ambient temperature (operation)	-55 °C ... 125 °C

Mounting

Mounting type	Screw mounting
Connection method	Wave soldering contacts

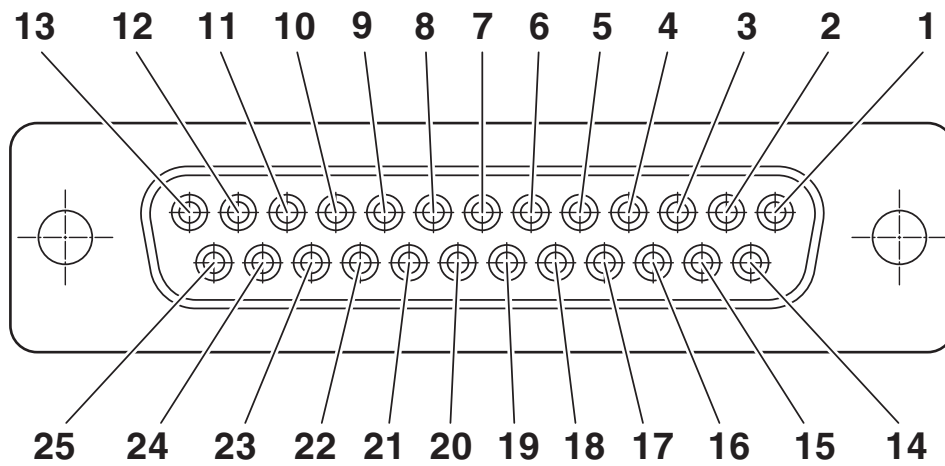
VS-25-BU-DSUB-ER - Contact insert

1689886

<https://www.phoenixcontact.com/de/produkte/1689886>

Drawings

Schematic diagram

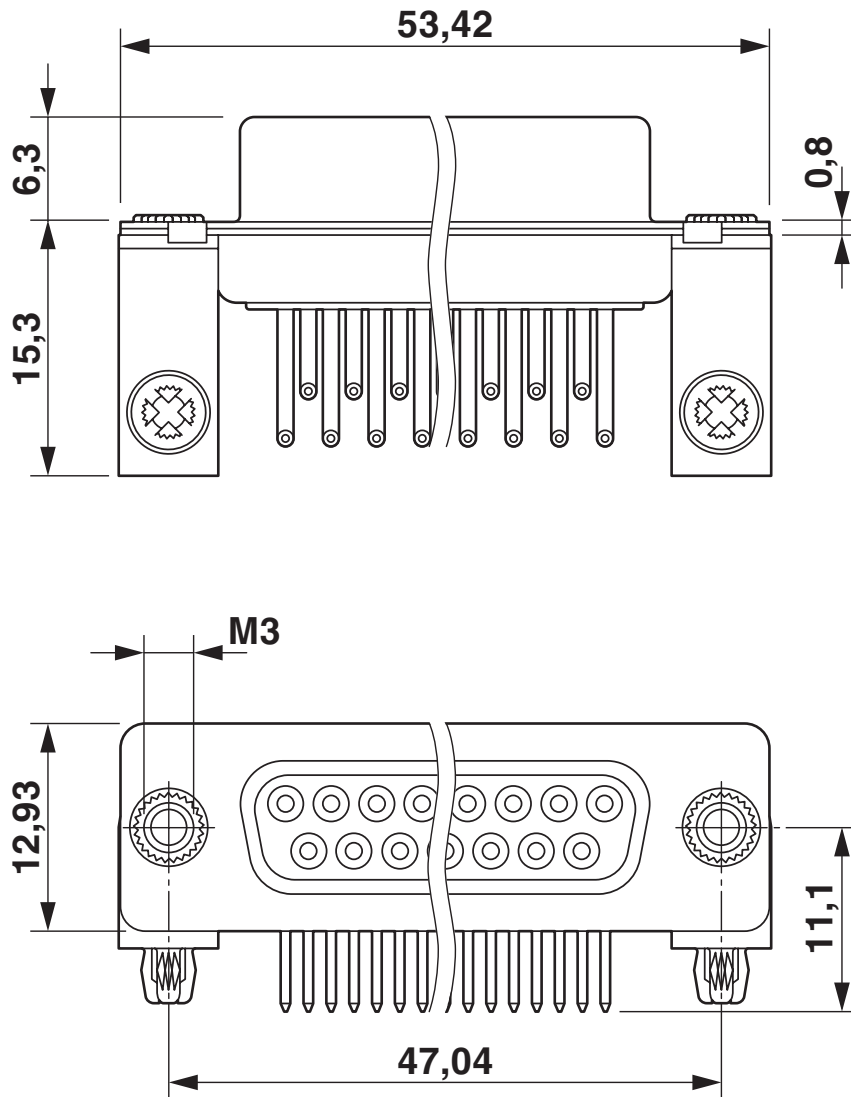


VS-25-BU-DSUB-ER - Contact insert

1689886

<https://www.phoenixcontact.com/de/produkte/1689886>

Dimensional drawing



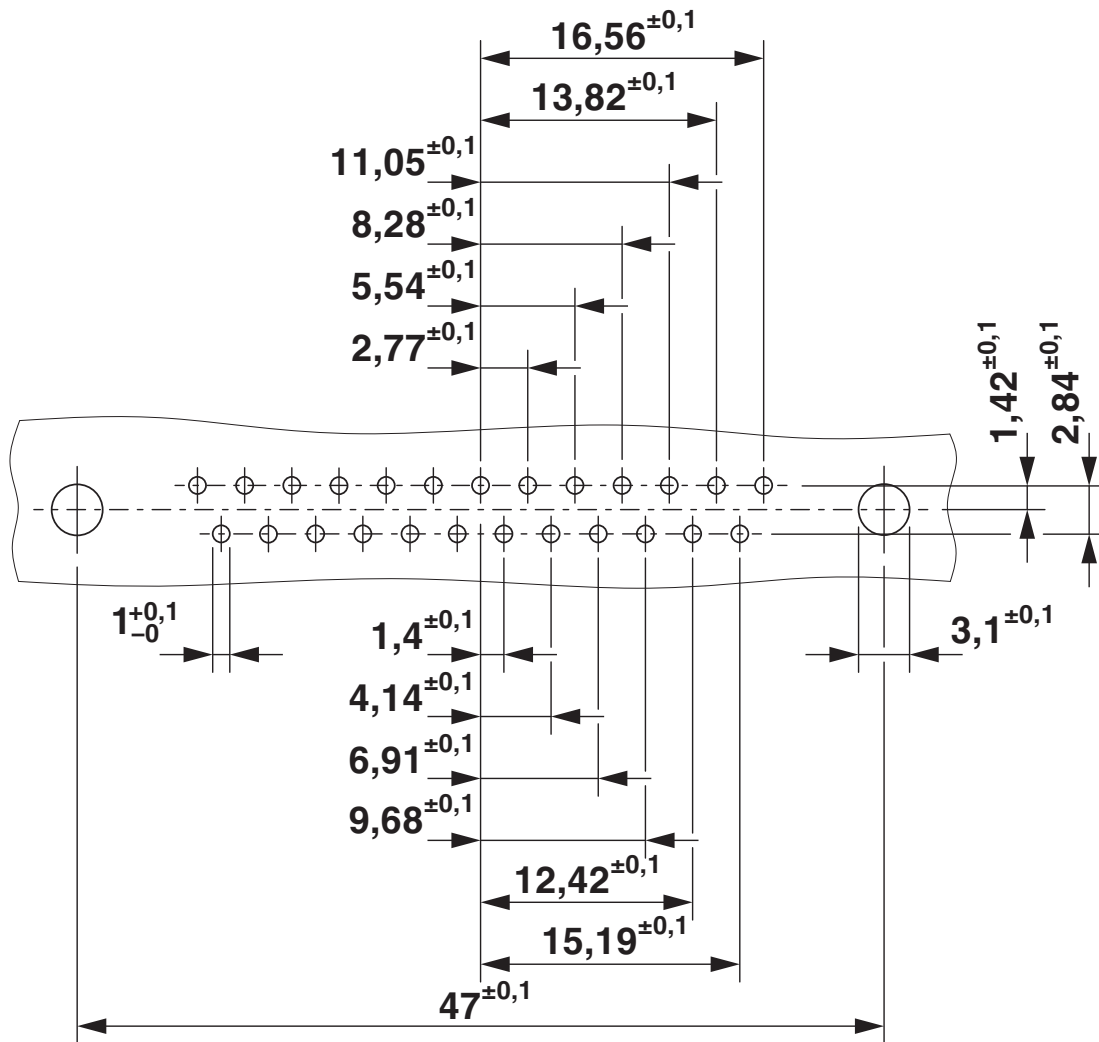
D-SUB contact insert

VS-25-BU-DSUB-ER - Contact insert

1689886

<https://www.phoenixcontact.com/de/produkte/1689886>

Drilling plan/solder pad geometry



Drilling diagram

VS-25-BU-DSUB-ER - Contact insert



1689886

<https://www.phoenixcontact.com/de/produkte/1689886>

Approvals

🔗 To download certificates, visit the product detail page: <https://www.phoenixcontact.com/de/produkte/1689886>



UL Recognized

Approval ID: FILE E 118976



EAC

Approval ID: B.01687

VS-25-BU-DSUB-ER - Contact insert



1689886

<https://www.phoenixcontact.com/de/produkte/1689886>

Classifications

ECLASS

ECLASS-11.0	27440223
ECLASS-12.0	27440223
ECLASS-13.0	27440223

ETIM

ETIM 8.0	EC003557
----------	----------

UNSPSC

UNSPSC 21.0	39121400
-------------	----------

VS-25-BU-DSUB-ER - Contact insert



1689886

<https://www.phoenixcontact.com/de/produkte/1689886>

Environmental Product Compliance

REACH SVHC	Lead 7439-92-1
China RoHS	Environmentally Friendly Use Period = 50 years
	For information on hazardous substances, refer to the manufacturer's declaration available under "Downloads"

VS-25-BU-DSUB-ER - Contact insert

1689886

<https://www.phoenixcontact.com/de/produkte/1689886>



Accessories

CUC-DST-GPME-S/DSSC25 - D-SUB sleeve housings

1419719

<https://www.phoenixcontact.com/de/produkte/1419719>



D-SUB sleeve housings, degree of protection: IP20, material: ABS, metal-plated, cable outlet: straight, housing size: 3, color: Bare metallic

CUC-DST-GPME-A/DSSC25 - D-SUB sleeve housings

1419721

<https://www.phoenixcontact.com/de/produkte/1419721>



D-SUB sleeve housings, degree of protection: IP20, material: ABS, metal-plated, cable outlet: angled, housing size: 3, color: Bare metallic

VS-25-BU-DSUB-ER - Contact insert

1689886

<https://www.phoenixcontact.com/de/produkte/1689886>



CUC-DST-GZNI-S/DSSC25 - D-SUB sleeve housings

1419727

<https://www.phoenixcontact.com/de/produkte/1419727>



D-SUB sleeve housings, degree of protection: IP20, material: Zinc die-cast, cable outlet: straight, housing size: 3, color: Bare metallic

CUC-DST-GZNI-A/DSSC25 - D-SUB sleeve housings

1419728

<https://www.phoenixcontact.com/de/produkte/1419728>



D-SUB sleeve housings, degree of protection: IP20, material: Zinc die-cast, cable outlet: angled, housing size: 3, color: Bare metallic

VS-25-BU-DSUB-ER - Contact insert

1689886

<https://www.phoenixcontact.com/de/produkte/1689886>



VS-25-A - Panel mounting frames

1689750

<https://www.phoenixcontact.com/de/produkte/1689750>

D-SUB panel mounting frame, shell size 3, IP67 degree of protection



VS-25-T-2M20 - D-SUB sleeve housings

1689792

<https://www.phoenixcontact.com/de/produkte/1689792>

D-SUB sleeve housing, shell size 3, IP67 degree of protection



VS-25-BU-DSUB-ER - Contact insert

1689886

<https://www.phoenixcontact.com/de/produkte/1689886>



CUC-SCHRAUBE-5,5:360 - Screw

1421711

<https://www.phoenixcontact.com/de/produkte/1421711>

Screw, design: Hexagonal, color: Bare metallic



VS-25-ST-DSUB-ER - Contact insert

1689873

<https://www.phoenixcontact.com/de/produkte/1689873>

D-SUB contact insert, shell size 3, with 25 signal contacts, type of contact pin, for PCB mounting, angled, fixing with M3 thread and solder pins, for panel mounting frame VS-25-...



Phoenix Contact 2023 © - all rights reserved
<https://www.phoenixcontact.com>

PHOENIX CONTACT Deutschland GmbH
Flachsmarktstraße 8
D-32825 Blomberg
+49 52 35/3-1 20 00
info@phoenixcontact.de