

D-SUB coaxial contact - VS-ST-KX-75-RG179/187



1655629

<https://www.phoenixcontact.com/in/products/1655629>

Please be informed that the data shown in this PDF document is generated from our Online Catalog. Please find the complete data in the user documentation. Our General Terms of Use for Downloads are valid.



Coaxial contact, for D-SUB combination inserts, solder cup, pin, straight, for cable RG 179/187, gold-plated

D-SUB coaxial contact - VS-ST-KX-75-RG179/187



1655629

<https://www.phoenixcontact.com/in/products/1655629>

Commercial Data

Item number	1655629
Packing unit	10 pc
Minimum order quantity	10 pc
Sales Key	BF7
Product Key	BF7ACZ
Catalog Page	Page 325 (PC-2009)
GTIN	4046356029513
Weight per Piece (including packing)	1.93 g
Weight per Piece (excluding packing)	1.85 g
Customs tariff number	85366910
Country of origin	CZ

D-SUB coaxial contact - VS-ST-KX-75-RG179/187

1655629

<https://www.phoenixcontact.com/in/products/1655629>

Technical Data

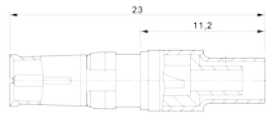
Product properties

Product type	Solder contact
Type	Individual male contact
Contact type	turned

Electrical properties

Rated voltage (III/3)	250 V
Rated current	2 A
Insulation resistance	10 TΩ

Dimensions

Dimensional drawing	
Width	6 mm
Height	6 mm
Length	23 mm

Material specifications

Contact material	Copper alloy
Contact surface material	Hard gold-plated over nickel

Connector

Insertion/withdrawal cycles	≥ 500
-----------------------------	-------

Cable / line

Cable structure

External cable diameter	3.2 mm
-------------------------	--------

Mechanical properties

Mechanical data

Insertion force per signal contact	≤ 7.00 N
Extraction force per signal contact	≤ 7 N

Environmental and real-life conditions

Ambient conditions

Ambient temperature (operation)	-55 °C ... 135 °C
---------------------------------	-------------------

D-SUB coaxial contact - VS-ST-KX-75-RG179/187

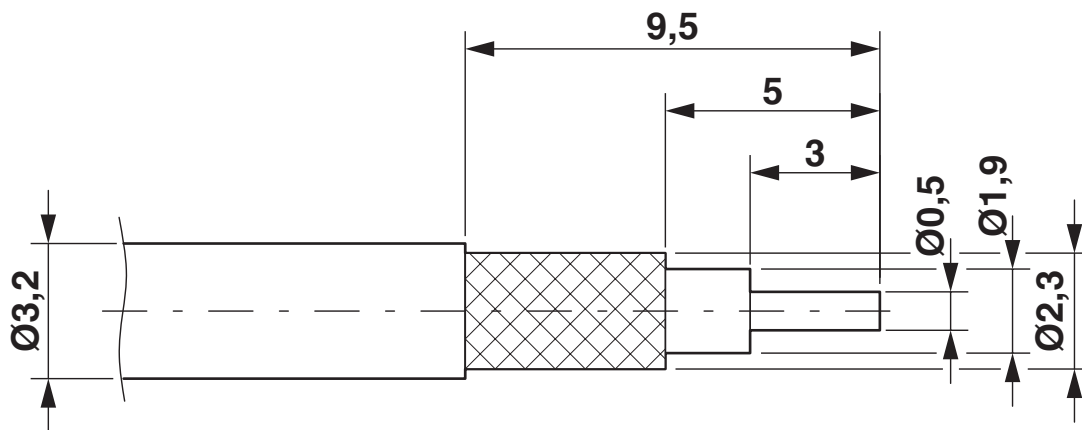


1655629

<https://www.phoenixcontact.com/in/products/1655629>

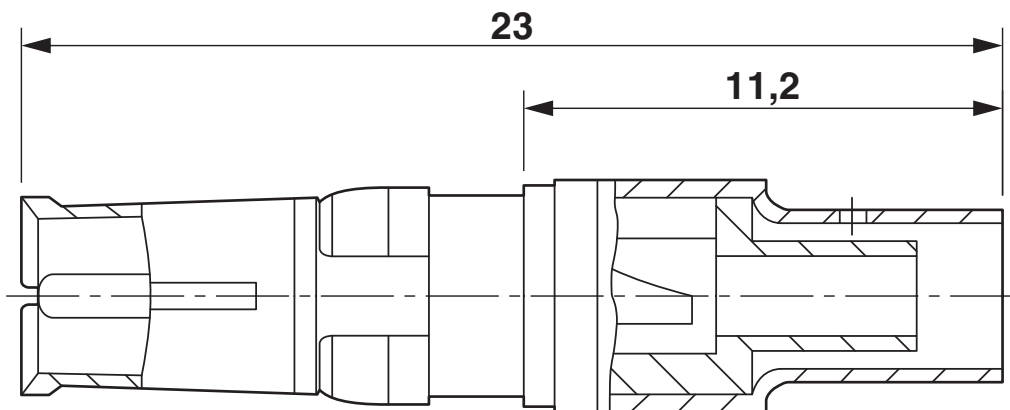
Drawings

Dimensional drawing



Cable connection

Dimensional drawing



D-SUB coaxial contact pin

D-SUB coaxial contact - VS-ST-KX-75-RG179/187



1655629

<https://www.phoenixcontact.com/in/products/1655629>

Approvals



EAC

Approval ID: B.01687

D-SUB coaxial contact - VS-ST-KX-75-RG179/187



1655629

<https://www.phoenixcontact.com/in/products/1655629>

Classifications

ECLASS

ECLASS-10.0.1	27440204
ECLASS-9.0	27440204
ECLASS-11.0	27440204

ETIM

ETIM 8.0	EC000796
----------	----------

UNSPSC

UNSPSC 21.0	39121500
-------------	----------

D-SUB coaxial contact - VS-ST-KX-75-RG179/187



1655629

<https://www.phoenixcontact.com/in/products/1655629>

Environmental Product Compliance

REACH SVHC	Lead 7439-92-1
China RoHS	Environmentally Friendly Use Period = 50 years
	For information on hazardous substances, refer to the manufacturer's declaration available under "Downloads"

D-SUB coaxial contact - VS-ST-KX-75-RG179/187

1655629

<https://www.phoenixcontact.com/in/products/1655629>



Accessories

Contact removal tool

Contact removal tool - HC-M4-KOAX-EWZ - 1676747

<https://www.phoenixcontact.com/in/products/1676747>

Contact removal tool for coaxial contacts



Phoenix Contact 2022 © - all rights reserved
<https://www.phoenixcontact.com>

PHOENIX CONTACT (I) Pvt. Ltd.
A-58/2, Okhla Industrial Area, Phase - II, New Delhi-110 020

+91.1275.71420
info@phoenixcontact.co.in