

# D-SUB coaxial contact - VS-BU-KX-50-RG58



1655577

<https://www.phoenixcontact.com/in/products/1655577>

Please be informed that the data shown in this PDF document is generated from our Online Catalog. Please find the complete data in the user documentation. Our General Terms of Use for Downloads are valid.

---



Coaxial contact, for D-SUB combination inserts, solder cup, pin, straight, for cable RG 58, gold-plated

---

# D-SUB coaxial contact - VS-BU-KX-50-RG58



1655577

<https://www.phoenixcontact.com/in/products/1655577>

## Commercial Data

Item number	1655577
Packing unit	10 pc
Minimum order quantity	10 pc
Sales Key	ABN
Product Key	ABNADC
Catalog Page	Page 325 (PC-2009)
GTIN	4046356029483
Weight per Piece (including packing)	2.577 g
Weight per Piece (excluding packing)	2.33 g
Customs tariff number	85366910
Country of origin	CZ

# D-SUB coaxial contact - VS-BU-KX-50-RG58

1655577

<https://www.phoenixcontact.com/in/products/1655577>

## Technical Data

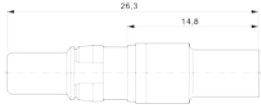
### Product properties

Product type	Solder contact
Type	Individual male contact
Contact type	turned

### Electrical properties

Rated voltage (III/3)	250 V
Rated current	2 A
Insulation resistance	10 TΩ

### Dimensions

Dimensional drawing	
Width	5.95 mm
Height	5.95 mm
Length	24.6 mm

### Material specifications

Contact material	Copper alloy
Contact surface material	Hard gold-plated over nickel

### Connector

Insertion/withdrawal cycles	≥ 500
-----------------------------	-------

### Cable / line

#### Cable structure

External cable diameter	5.2 mm
-------------------------	--------

### Mechanical properties

#### Mechanical data

Insertion force per signal contact	≤ 7.00 N
Extraction force per signal contact	≤ 7 N

### Environmental and real-life conditions

#### Ambient conditions

Ambient temperature (operation)	-55 °C ... 135 °C
---------------------------------	-------------------

# D-SUB coaxial contact - VS-BU-KX-50-RG58

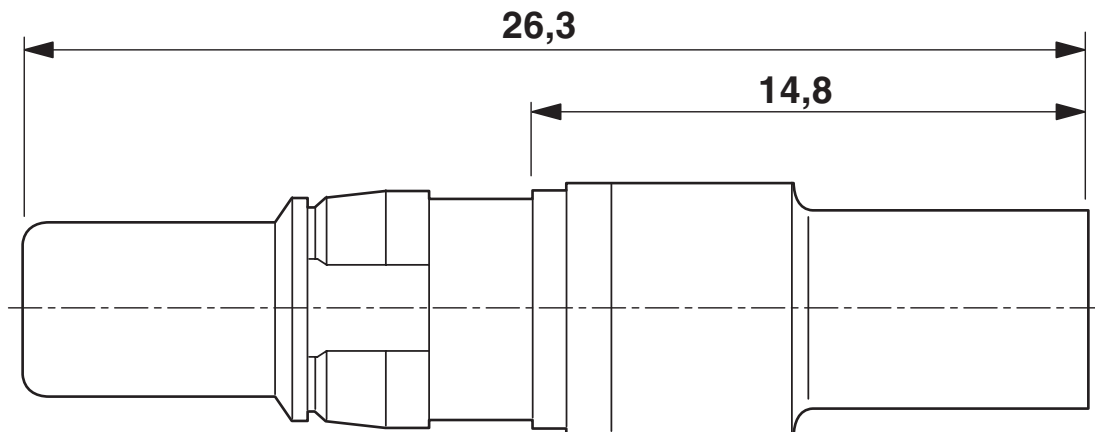


1655577

<https://www.phoenixcontact.com/in/products/1655577>

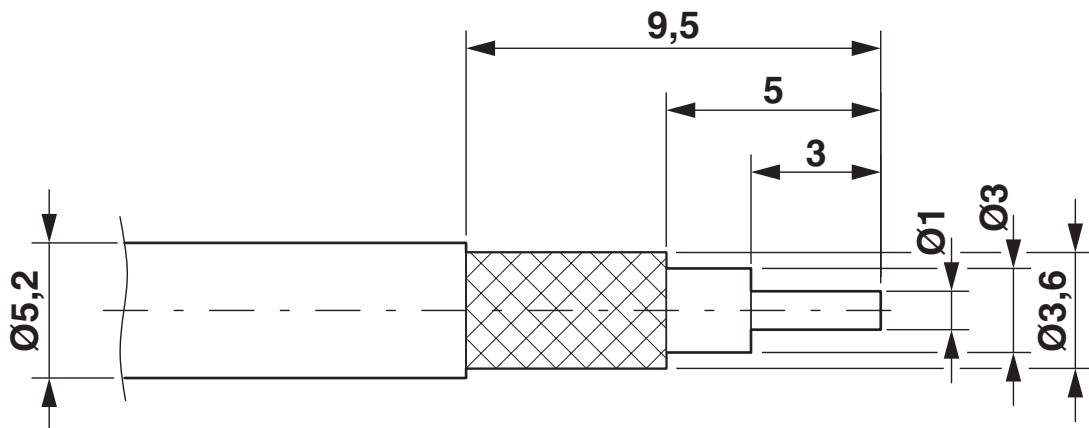
## Drawings

Dimensional drawing



## D-SUB coaxial contact pin

Dimensional drawing



## Cable connection

# D-SUB coaxial contact - VS-BU-KX-50-RG58



1655577

<https://www.phoenixcontact.com/in/products/1655577>

## Approvals



**EAC**

Approval ID: B.01687

# D-SUB coaxial contact - VS-BU-KX-50-RG58



1655577

<https://www.phoenixcontact.com/in/products/1655577>

## Classifications

### ECLASS

ECLASS-9.0	27440204
ECLASS-10.0.1	27440204
ECLASS-11.0	27440204

### ETIM

ETIM 8.0	EC000796
----------	----------

### UNSPSC

UNSPSC 21.0	39121500
-------------	----------

# D-SUB coaxial contact - VS-BU-KX-50-RG58



1655577

<https://www.phoenixcontact.com/in/products/1655577>

## Environmental Product Compliance

REACH SVHC	Lead 7439-92-1
China RoHS	Environmentally Friendly Use Period = 50 years
	For information on hazardous substances, refer to the manufacturer's declaration available under "Downloads"

# D-SUB coaxial contact - VS-BU-KX-50-RG58



1655577

<https://www.phoenixcontact.com/in/products/1655577>

## Accessories

### Contact removal tool

Contact removal tool - HC-M4-KOAX-EWZ - 1676747

<https://www.phoenixcontact.com/in/products/1676747>

Contact removal tool for coaxial contacts



---

Phoenix Contact 2022 © - all rights reserved

<https://www.phoenixcontact.com>

PHOENIX CONTACT (I) Pvt. Ltd.

A-58/2, Okhla Industrial Area, Phase - II, New Delhi-110 020

+91.1275.71420

[info@phoenixcontact.co.in](mailto:info@phoenixcontact.co.in)