

# Device connector, front mounting - RF-12P1N8AWB00



1607804

<https://www.phoenixcontact.com/au/products/1607804>

Please be informed that the data shown in this PDF document is generated from our Online Catalog. Please find the complete data in the user documentation. Our General Terms of Use for Downloads are valid.

---

Device connector, front mounting, straight, Screw locking, M23, number of positions: 12, type of contact: Pin, Axial O-ring, 4x Ø 3.2, shielded: yes, degree of protection: IP67, number of positions: 12, connection method: Crimp connection, series: RF



---

## Your advantages

- Safe use in the field, thanks to high degree of protection
- Connector for flexible on-site assembly
- Consistent EMC protection for reliable connection solutions in the industrial environment
- Crimping connection: vibration- and temperature-resistant assembly

# Device connector, front mounting - RF-12P1N8AWB00



1607804

<https://www.phoenixcontact.com/au/products/1607804>

## Commercial Data

Item number	1607804
Packing unit	1 pc
Minimum order quantity	1 pc
Sales Key	ABRAAF
Product Key	ABRAAF
Catalog Page	Page 112 (C-2-2019)
GTIN	4046356174978
Weight per Piece (including packing)	30.265 g
Weight per Piece (excluding packing)	3.45 g
Customs tariff number	85366990
Country of origin	DE

## Technical Data

### Notes

Order information:	Order crimp contacts Ø 1 mm separately
--------------------	--

### Product properties

Product type	Circular connectors (device side)
Number of positions	12
Connection profile	12
Application	Feedback, signal Signal
Locking type	Screw locking
Series	RF
Shielded	yes
Coding	N
Thread type	M23

### Ambient conditions

Degree of protection	IP67
Ambient temperature (operation)	-20 °C ... 125 °C
Altitude	2000 m

### Connector

Type	straight
Direction of rotation	Standard

### Electrical properties

#### Contact

Contact diameter	1 mm
Max. current	8 A
Nominal voltage $U_N$	48 V AC 74 V DC
Overvoltage category	III
Rated surge voltage	1.5 kV

### Material specifications

Seal material	FPM
Housing material	Turned parts: copper zinc alloy (CuZn), die-cast parts: zinc (GD-Zn)
Insulator material	PA 6.6
Gasket and O-ring material	FPM

### Connection data

#### Conductor connection

--	--

# Device connector, front mounting - RF-12P1N8AWB00



1607804

<https://www.phoenixcontact.com/au/products/1607804>

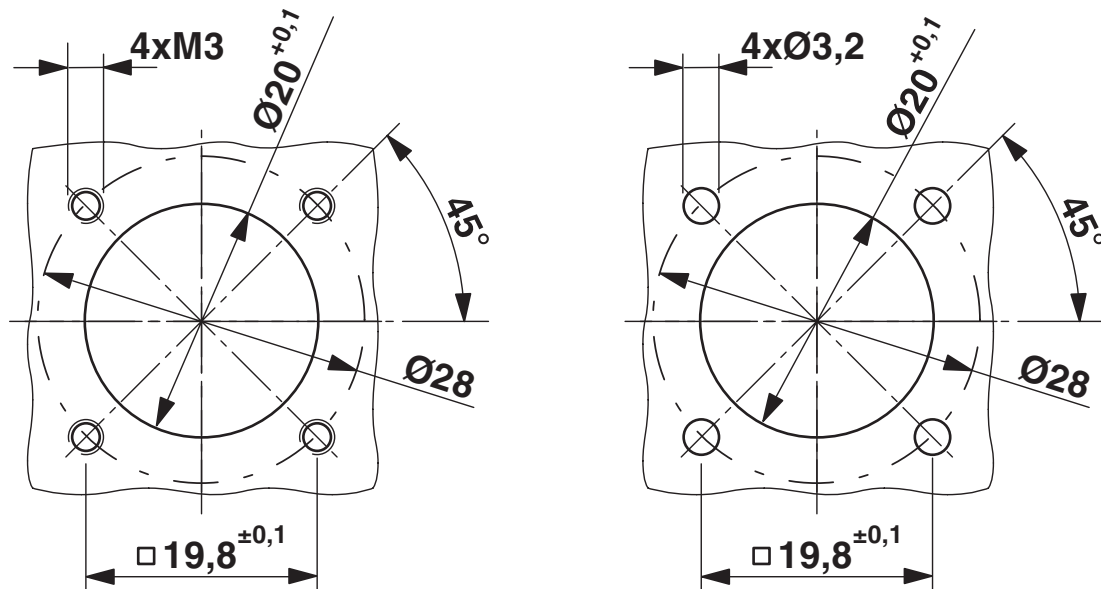
Connection method	Crimp connection
-------------------	------------------

## Mounting

Mounting	4x Ø 3.2
----------	----------

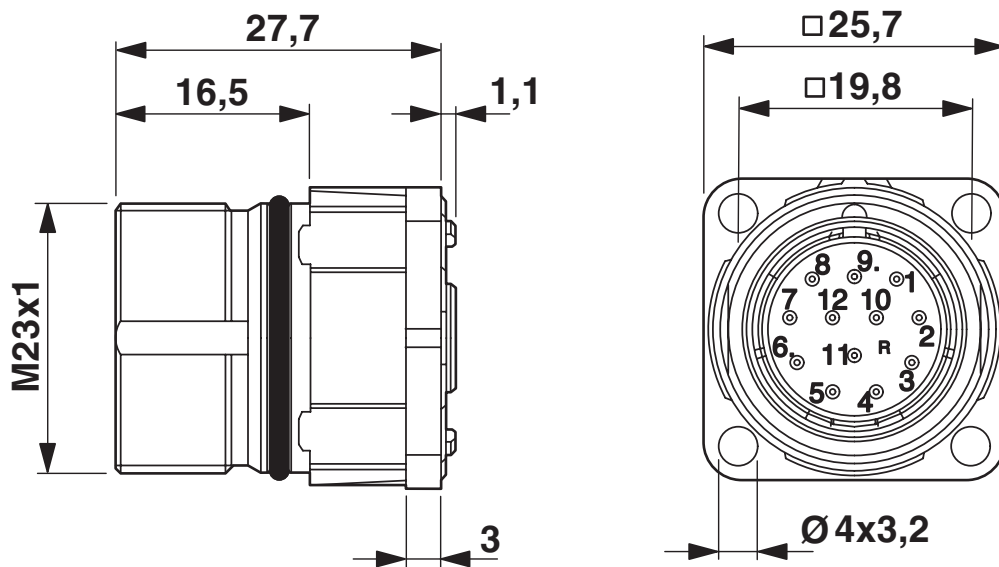
Drawings

Dimensional drawing



Installation dimensions

Dimensional drawing

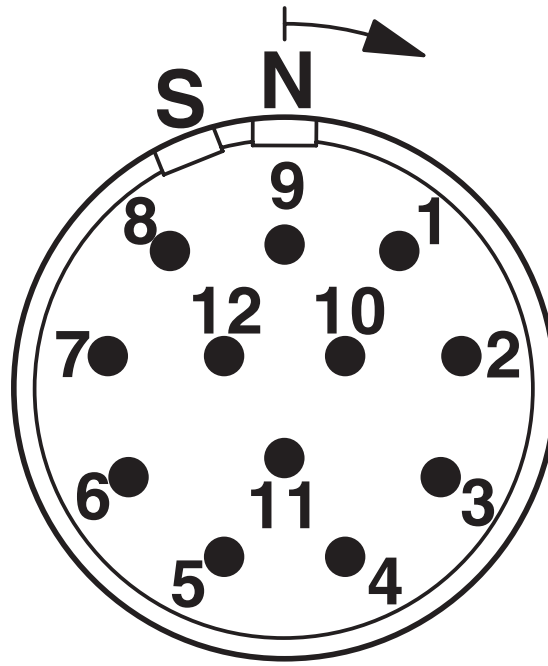


Dimensional drawing

1607804

<https://www.phoenixcontact.com/au/products/1607804>

Schematic diagram



Contact chamber numbering (view of plug-in side), standard pin


# Device connector, front mounting - RF-12P1N8AWB00




1607804

<https://www.phoenixcontact.com/au/products/1607804>

## Approvals

 <b>cUL Recognized</b> Approval ID: FILE E 153698				
	Nominal Voltage $U_N$	Nominal Current $I_N$	Cross Section AWG	Cross Section $\text{mm}^2$
	48 V	5 A	- 20	-

 <b>UL Recognized</b> Approval ID: FILE E 153698				
	Nominal Voltage $U_N$	Nominal Current $I_N$	Cross Section AWG	Cross Section $\text{mm}^2$
	48 V	5 A	- 20	-

<b>cULus Recognized</b>				
-------------------------	--	--	--	--

1607804

<https://www.phoenixcontact.com/au/products/1607804>

## Classifications

### ECLASS

ECLASS-9.0	27440102
ECLASS-10.0.1	27440102
ECLASS-11.0	27440102

### ETIM

ETIM 8.0	EC002635
----------	----------

### UNSPSC

UNSPSC 21.0	39121400
-------------	----------



# Device connector, front mounting - RF-12P1N8AWB00



1607804

<https://www.phoenixcontact.com/au/products/1607804>

## Environmental Product Compliance

China RoHS	Environmentally friendly use period: unlimited = EFUP-e
	No hazardous substances above threshold values

# Device connector, front mounting - RF-12P1N8AWB00



1607804

<https://www.phoenixcontact.com/au/products/1607804>

## Accessories

### Crimp contact

Crimp contact - SF-6CP2000 - 1605559

<https://www.phoenixcontact.com/au/products/1605559>



Crimp contact, turned, Single contact, contact diameter: 1 mm, crimp range: 0.06 mm<sup>2</sup> ... 0.25 mm<sup>2</sup>

---

### Crimp contact

Crimp contact - SF-10KP004 - 1607355

<https://www.phoenixcontact.com/au/products/1607355>



Crimp contact, turned, Single contact, contact diameter: 1 mm, crimp range: 0.14 mm<sup>2</sup> ... 0.5 mm<sup>2</sup>

# Device connector, front mounting - RF-12P1N8AWB00



1607804

<https://www.phoenixcontact.com/au/products/1607804>

## Crimp contact

Crimp contact - SF-6AP2000 - 1605554

<https://www.phoenixcontact.com/au/products/1605554>



Crimp contact, turned, Single contact, contact diameter: 1 mm, crimp range: 0.25 mm<sup>2</sup> ... 1 mm<sup>2</sup>

---

## Protective cap

Protective cap - SF-Z0019 - 1607449

<https://www.phoenixcontact.com/au/products/1607449>



Plastic protection cap, with eye, IP40 for connectors with M23 external thread, RF, SF series

1607804

<https://www.phoenixcontact.com/au/products/1607804>

## Protective cap

Protective cap - RC-Z2059 - 1604225

<https://www.phoenixcontact.com/au/products/1604225>

Plastic protection cap for connectors with M23 external thread



---

## Plastic anti-static dust protection cap

Plastic anti-static dust protection cap - RC-Z2469 - 1611797

<https://www.phoenixcontact.com/au/products/1611797>

Plastic protection cap, antistatic, for RF, SF, CA, RC series connectors, with M23 external thread



1607804

<https://www.phoenixcontact.com/au/products/1607804>

## Metal protective cap

Metal protective cap - RC-Z2068 - 1604236

<https://www.phoenixcontact.com/au/products/1604236>

Metal protection cap with steel wire for signal connectors with M23 external thread



---

## Metal protective cap

Metal protective cap - RC-Z2104 - 1604260

<https://www.phoenixcontact.com/au/products/1604260>

Metal protection cap for signal connectors with M23 external thread



# Device connector, front mounting - RF-12P1N8AWB00



1607804

<https://www.phoenixcontact.com/au/products/1607804>

## Color-coding

Color-coding - RF-Z0017 - 1620624

<https://www.phoenixcontact.com/au/products/1620624>

Color-coding, color: green



---

## Color-coding

Color-coding - RF-Z0018 - 1620625

<https://www.phoenixcontact.com/au/products/1620625>

Color-coding, color: orange



# Device connector, front mounting - RF-12P1N8AWB00



1607804

<https://www.phoenixcontact.com/au/products/1607804>

## Color-coding

Color-coding - RF-Z0019 - 1620626

<https://www.phoenixcontact.com/au/products/1620626>

Color-coding, color: anthracite



---

## Contact removal tool

Contact removal tool - RF-Z0001 - 1607904

<https://www.phoenixcontact.com/au/products/1607904>

Unlocking tool for contact carriers for snapping in the M23 feedback device connectors



---

Phoenix Contact 2022 © - all rights reserved  
<https://www.phoenixcontact.com>

PHOENIX CONTACT PTY Ltd  
Unit 7, 2-8 South Street  
Rydalmere NSW 2116  
1300 786 411  
[customerservice@phoenixcontact.com.au](mailto:customerservice@phoenixcontact.com.au)