

Protective cap - SF-Z0019



1607449

<https://www.phoenixcontact.com/pc/products/1607449>

Please be informed that the data shown in this PDF document is generated from our Online Catalog. Please find the complete data in the user documentation. Our General Terms of Use for Downloads are valid.

Plastic protection cap, with eye, IP40 for connectors with M23 external thread, RF, SF series



Commercial Data

Item number	1607449
Packing unit	25 pc
Minimum order quantity	25 pc
Product Key	ABRFCA
Catalog Page	Page 181 (C-2-2019)
GTIN	4046356335140
Weight per Piece (including packing)	2.652 g
Weight per Piece (excluding packing)	2.57 g
Customs tariff number	39235090
Country of origin	DE

Protective cap - SF-Z0019

1607449

<https://www.phoenixcontact.com/pc/products/1607449>



Technical Data

Product properties

Product type	Protective cover
Locking type	M23
Series	SF
	RF
	RC
	CA

Material specifications

Housing material	Plastic
------------------	---------

Environmental and real-life conditions

Ambient conditions

Degree of protection	IP40
----------------------	------

Protective cap - SF-Z0019

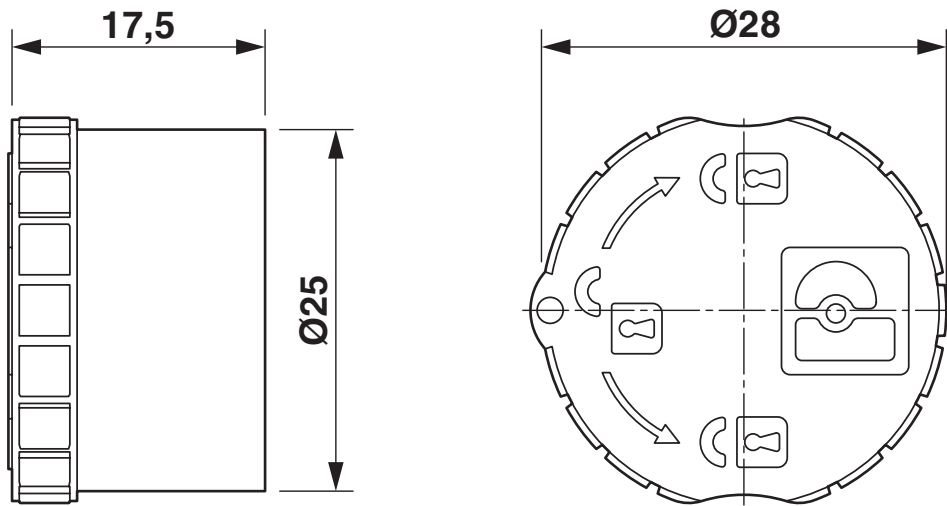
1607449

<https://www.phoenixcontact.com/pc/products/1607449>



Drawings

Dimensional drawing



Protective cap - SF-Z0019

1607449

<https://www.phoenixcontact.com/pc/products/1607449>



Approvals



EAC

Approval ID: B.01687

Protective cap - SF-Z0019

1607449

<https://www.phoenixcontact.com/pc/products/1607449>



Classifications

ECLASS

ECLASS-9.0	27440312
ECLASS-10.0.1	27440312
ECLASS-11.0	27440312

ETIM

ETIM 8.0	EC002641
----------	----------

UNSPSC

UNSPSC 21.0	39121400
-------------	----------

Protective cap - SF-Z0019

1607449

<https://www.phoenixcontact.com/pc/products/1607449>



Environmental Product Compliance

China RoHS	Environmentally friendly use period: unlimited = EFUP-e No hazardous substances above threshold values
------------	-----------------------------------------------------------------------------------------------------------

Phoenix Contact 2022 © - all rights reserved
<https://www.phoenixcontact.com>

PHOENIX CONTACT GmbH & Co. KG
Flachmarktstraße 8
D-32825 Blomberg
+49 (0) 5235-3 00
info@phoenixcontact.com