

# Housing - HC-B 10-TMB-100/O1STM25G-EUA



1604285

<https://www.phoenixcontact.com/pc/products/1604285>

Please be informed that the data shown in this PDF document is generated from our Online Catalog. Please find the complete data in the user documentation. Our General Terms of Use for Downloads are valid.

---



HEAVYCON ADVANCE for increased environmental requirements, sleeve housing B10, with bayonet locking, height 100 mm, with 1xM25 thread, straight cable outlet

---

# Housing - HC-B 10-TMB-100/O1STM25G-EUA



1604285

<https://www.phoenixcontact.com/pc/products/1604285>

## Commercial Data

Item number	1604285
Packing unit	10 pc
Minimum order quantity	1 pc
Note	Made to Order (non-returnable)
Product Key	BF7AAA
Catalog Page	Page 566 (PC-2011)
GTIN	4017918947965
Weight per Piece (including packing)	349.84 g
Weight per Piece (excluding packing)	349.84 g
Customs tariff number	85389099
Country of origin	DE

1604285

<https://www.phoenixcontact.com/pc/products/1604285>

## Technical Data

### Notes

General	For contact inserts HC-B10, BB18, DD42, M, K8/24
---------	--

### Product properties

Type	B10
Product type	Housing with bayonet locking
Application	increased environmental requirements
No. of cable outlets	1
Type of the screw connection	1x M25
Housing type	Sleeve housing
Locking type	Bayonet locking
Shielded	no
Cable outlet	straight
Pg screw connection	none

### Dimensions

Dimensional drawing	
Width	57 mm
Height	100 mm
Length	105 mm

### Installation dimensions

Width of the assembly cutout	35 mm
Length of the assembly cutout	65 mm

### Material specifications

Color	black
Sealing material	Viton
Housing surface material	Powder-coated, black
Material grip body interlock	PA-GF
Housing material	Die-cast aluminum, salt water resistant

### Ambient conditions

Degree of protection	IP65 IP67
Ambient temperature (operation)	-40 °C ... 125 °C

### Mechanical properties

# Housing - HC-B 10-TMB-100/O1STM25G-EUA



1604285

<https://www.phoenixcontact.com/pc/products/1604285>

## Mechanical data

Type of the screw connection	1x M25
Locking type	Screw

## Mounting

Assembly instructions	In order to guarantee that the ground conductor contact functions even when plugged in at an angle, the two panel mounting flanges must have sufficient electrical contact with the metal mounting panel.
-----------------------	---

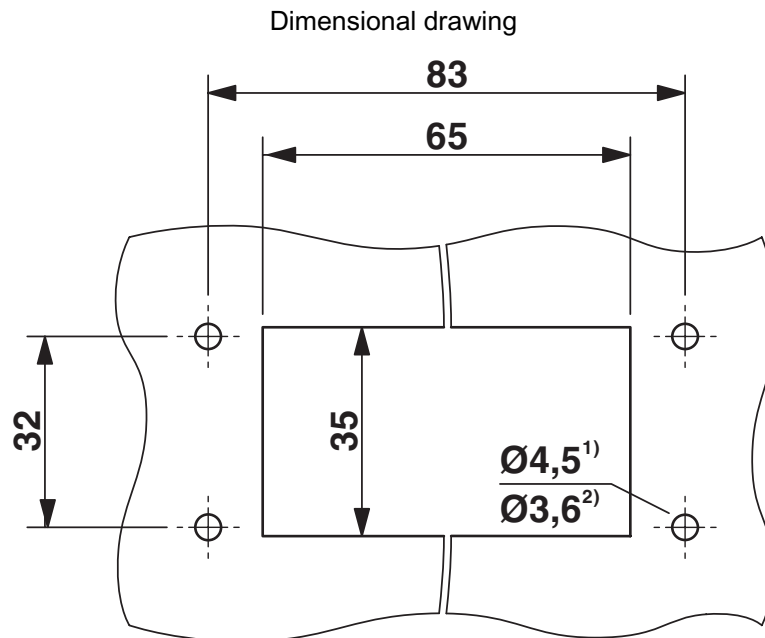
# Housing - HC-B 10-TMB-100/O1STM25G-EUA



1604285

<https://www.phoenixcontact.com/pc/products/1604285>

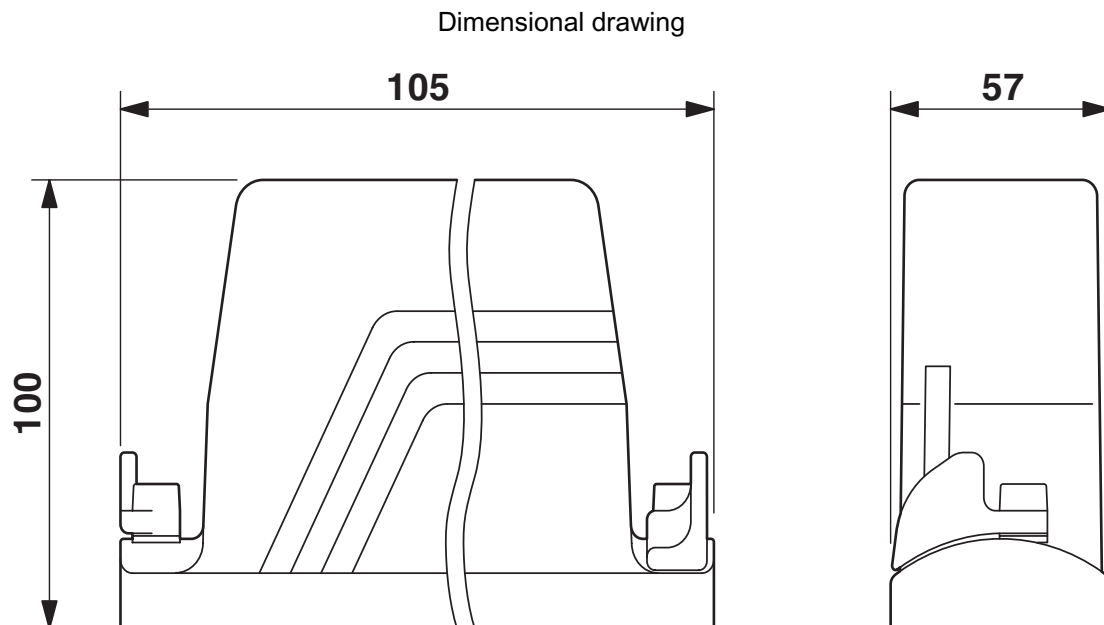
## Drawings



Mounting cutout

1) when M4 screws are used

2) when self-tapping Torx® screws are used (Torx® 20, M4)



Dimensional drawing

# Housing - HC-B 10-TMB-100/O1STM25G-EUA



1604285

<https://www.phoenixcontact.com/pc/products/1604285>

## Approvals



**EAC**

Approval ID: RU C-DE.AI30.B.01102



**EAC**

Approval ID: RU C-DE.BL08.B.00511

1604285

<https://www.phoenixcontact.com/pc/products/1604285>

## Classifications

### ECLASS

ECLASS-9.0	27440202
ECLASS-10.0.1	27440202
ECLASS-11.0	27440202

### ETIM

ETIM 8.0	EC000437
----------	----------

### UNSPSC

UNSPSC 21.0	31261500
-------------	----------

# Housing - HC-B 10-TMB-100/O1STM25G-EUA



1604285

<https://www.phoenixcontact.com/pc/products/1604285>

## Environmental Product Compliance

China RoHS	Environmentally friendly use period: unlimited = EFUP-e
	No hazardous substances above threshold values



# Housing - HC-B 10-TMB-100/O1STM25G-EUA



1604285

<https://www.phoenixcontact.com/pc/products/1604285>

## Accessories

### Mounting flange

Mounting flange - HC-B-BF - 1604641

<https://www.phoenixcontact.com/pc/products/1604641>



Panel mounting flange for HEAVYCON ADVANCE TMB housing with bayonet locking

---

### Screw connection

Screw connection - WP-G HF IP66 M25 BK - 3240899

<https://www.phoenixcontact.com/pc/products/3240899>



Cable gland, metric thread, IP66 protection, straight

# Housing - HC-B 10-TMB-100/O1STM25G-EUA



1604285

<https://www.phoenixcontact.com/pc/products/1604285>

## Mounting flange

Mounting flange - HC-B-BF-SET - 1604654

<https://www.phoenixcontact.com/pc/products/1604654>

Bayonet mounting flange set, consisting of 2 mounting flanges with 4 self-tapping Torx® head screws and 4 fan-type spacers



---

## Screw connection

Screw connection - WP-G HF IP69K M25 BK - 3240885

<https://www.phoenixcontact.com/pc/products/3240885>

Cable gland, metric thread, IP68/69k protection, straight



# Housing - HC-B 10-TMB-100/O1STM25G-EUA

1604285

<https://www.phoenixcontact.com/pc/products/1604285>

## Protective cover

Protective cover - HC-B 10-TMB-SD-IP65 - 1690943

<https://www.phoenixcontact.com/pc/products/1690943>



HEAVYCON ADVANCE IP65 protective cover B10, with bayonet locking, with retaining cord, diameter of retaining cord eyelet 3 mm

---

## Screw connection

Screw connection - WP-GA HF IP66 M25 BK - 3240927

<https://www.phoenixcontact.com/pc/products/3240927>



Cable gland, metric thread, IP66 protection, angled

# Housing - HC-B 10-TMB-100/O1STM25G-EUA

1604285

<https://www.phoenixcontact.com/pc/products/1604285>

## Cable gland

Cable gland - G-INS-M25-M68N-PNES-GY - 1411126

<https://www.phoenixcontact.com/pc/products/1411126>



Cable gland, cable gland material: PA, external cable diameter 11 mm ... 17 mm, shielding: no, connecting thread: M25 x 1.5, color: silver-gray RAL 7001

---

## Screw connection

Screw connection - WP-GA HF IP69K M25 BK - 3240913

<https://www.phoenixcontact.com/pc/products/3240913>



Cable gland, metric thread, IP68/69k protection, angled

# Housing - HC-B 10-TMB-100/O1STM25G-EUA

1604285

<https://www.phoenixcontact.com/pc/products/1604285>

## Cable gland

Cable gland - G-INS-M25-M68N-PNES-BK - 1411134

<https://www.phoenixcontact.com/pc/products/1411134>



Cable gland, cable gland material: PA, external cable diameter 11 mm ... 17 mm, shielding: no, connecting thread: M25 x 1.5, color: jet black RAL 9005

---

## Screw connection

Screw connection - WP-GR HF IP66 M25 BK - 3240955

<https://www.phoenixcontact.com/pc/products/3240955>



Cable gland, metric thread, IP66 protection, with strain relief

# Housing - HC-B 10-TMB-100/O1STM25G-EUA

1604285

<https://www.phoenixcontact.com/pc/products/1604285>

## Cable gland

Cable gland - G-INS-M25-M68N-NNES-S - 1411165

<https://www.phoenixcontact.com/pc/products/1411165>



Cable gland, cable gland material: Nickel-plated brass, external cable diameter 11 mm ... 17 mm, shielding: no, connecting thread: M25 x 1.5, color: silver, with O-ring

---

## Screw connection

Screw connection - WP-GR HF IP69K M25 BK - 3240941

<https://www.phoenixcontact.com/pc/products/3240941>



Cable gland, metric thread, IP68/69k protection, with strain relief

# Housing - HC-B 10-TMB-100/O1STM25G-EUA

1604285

<https://www.phoenixcontact.com/pc/products/1604285>

## Cable gland

Cable gland - HC-M-KV-M25(14-21) - 1646007

<https://www.phoenixcontact.com/pc/products/1646007>



Metal screw connection up to 5 bar, thread length: 7 mm, cable diameter: 14 - 21 mm, WAF 34, screw connection: M25

---

## Screw connection

Screw connection - WP-G PP HF M25 - 3240999

<https://www.phoenixcontact.com/pc/products/3240999>



Cable gland made from PP with metric thread, IP65 protection

# Housing - HC-B 10-TMB-100/O1STM25G-EUA

1604285

<https://www.phoenixcontact.com/pc/products/1604285>

## Cable gland

Cable gland - G-INSEC-M25-S68N-NCRS-S - 1411190

<https://www.phoenixcontact.com/pc/products/1411190>



Cable gland, cable gland material: Nickel-plated brass, external cable diameter 11 mm ... 16 mm, shielding: yes, connecting thread: M25 x 1.5, color: silver, with O-ring

---

## Screw connection

Screw connection - WP-GT PP HF M25 - 3241013

<https://www.phoenixcontact.com/pc/products/3241013>



Cable gland made from PP with metric thread, rotatable, IP54 protection



# Housing - HC-B 10-TMB-100/O1STM25G-EUA

1604285

<https://www.phoenixcontact.com/pc/products/1604285>

## Cable gland

Cable gland - G-INESR-M25-M68N-NEPDS-S - 1415193

<https://www.phoenixcontact.com/pc/products/1415193>



Cable gland, cable gland material: Nickel-plated brass, external cable diameter 9 mm ... 17 mm, shielding: no, connecting thread: M25 x 1.5, color: silver, with external strain relief, with O-ring

---

## Screw connection

Screw connection - WP-G BRASS IP40 M25 - 3241048

<https://www.phoenixcontact.com/pc/products/3241048>



Cable gland made from brass with metric thread, IP40 protection

# Housing - HC-B 10-TMB-100/O1STM25G-EUA

1604285

<https://www.phoenixcontact.com/pc/products/1604285>

## Cable gland

Cable gland - HC-M-KV-T-M25 - 1646191

<https://www.phoenixcontact.com/pc/products/1646191>

Metal screw connection with cable bend protection and strain relief, thread length: 7 mm, cable sealing area: 10 - 19 mm, clamping area: 14 - 21 mm, SW 30, screw connection: M25



---

## Screw connection

Screw connection - WP-GT BRASS M25 - 3241034

<https://www.phoenixcontact.com/pc/products/3241034>

Cable gland made from brass with metric thread, rotatable, IP40 protection



# Housing - HC-B 10-TMB-100/O1STM25G-EUA



1604285

<https://www.phoenixcontact.com/pc/products/1604285>

## Reducing adapter

Reducing adapter - REDUC-M-KV-M25/M20 - 1647624

<https://www.phoenixcontact.com/pc/products/1647624>

Reducing adapter, material: Brass, nickel-plated, connecting thread: M25 x 1.5, color: silver, with O-ring



---

## Screw connection

Screw connection - WP-G BRASS IP65 M25 - 3241062

<https://www.phoenixcontact.com/pc/products/3241062>

Cable gland made from brass with metric thread, IP65 protection



# Housing - HC-B 10-TMB-100/O1STM25G-EUA



1604285

<https://www.phoenixcontact.com/pc/products/1604285>

## Extension adapter

Extension adapter - ENLAR-M-KV-M25/M32 - 1647679

<https://www.phoenixcontact.com/pc/products/1647679>

Step-up adapter, M25 to M32, including O-ring



---

## Screw plug

Screw plug - HC-M-BS-M25 - 1645859

<https://www.phoenixcontact.com/pc/products/1645859>

Screw plug, cable gland material: Nickel-plated brass, connecting thread: M25 x 1.5, color: silver



---

Phoenix Contact 2022 © - all rights reserved  
<https://www.phoenixcontact.com>

PHOENIX CONTACT GmbH & Co. KG  
Flachsmarktstraße 8  
D-32825 Blomberg  
+49 (0) 5235-3 00  
[info@phoenixcontact.com](mailto:info@phoenixcontact.com)