

Crimp contact - CK2,5-ED-0,5ST FE



1585760

<https://www.phoenixcontact.com/in/products/1585760>

Please be informed that the data shown in this PDF document is generated from our Online Catalog. Please find the complete data in the user documentation. Our General Terms of Use for Downloads are valid.



Turned 2.5 crimp contact, individual Fe male contact, core cross section 0.5 mm^2 , Au surface

Crimp contact - CK2,5-ED-0,5ST FE



1585760

<https://www.phoenixcontact.com/in/products/1585760>

Commercial Data

Item number	1585760
Packing unit	25 pc
Minimum order quantity	25 pc
Sales Key	BF7
Product Key	BF7AID
Catalog Page	Page 668 (C-2-2019)
GTIN	4046356308267
Weight per Piece (including packing)	1.272 g
Weight per Piece (excluding packing)	1.213 g
Customs tariff number	85389099
Country of origin	DE

Crimp contact - CK2,5-ED-0,5ST FE



1585760

<https://www.phoenixcontact.com/in/products/1585760>

Technical Data

Notes

General	For HC-M-06, HC-M-HV, HC-M-08, HC-A, HC-BB, HC-B and HC-HV contact inserts, the quality of a crimp connection is determined by the DIN EN 60 352-2
---------	----------------------------------------------------------------------------------------------------------------------------------------------------

Product properties

Product type	Thermal contact
Type	Individual male contact
Contact type	turned
Series	HC-M-06; HC-M-HV; HC-M-08; HC-A; HC-BB; HC-B; HC-HV

Electrical properties

Rated current	16 A
---------------	------

Dimensions

Dimensional drawing	
Width	4.5 mm
Height	4.5 mm
Depth	25 mm

Mechanical characteristics

Contact diameter	2.5 mm
------------------	--------

Material specifications

Contact material	Iron
Contact surface material	Hard gold-plated

Connector

Insertion/withdrawal cycles	≥ 500
-----------------------------	-------

Cable / line

Cable structure

Stripping length of the individual wire	7.5 mm (9.5 mm at HC-M-HV...)
-----------------------------------------	-------------------------------

Environmental and real-life conditions

Ambient conditions

Ambient temperature (operation)	-40 °C ... 125 °C
---------------------------------	-------------------

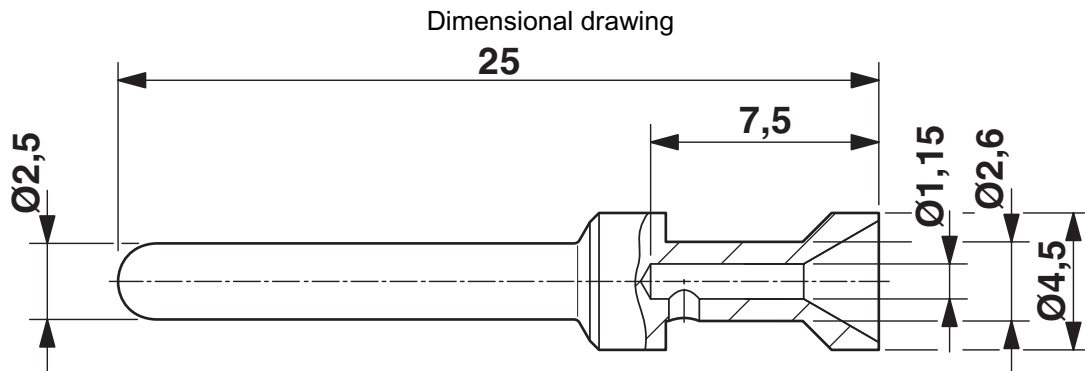
Crimp contact - CK2,5-ED-0,5ST FE



1585760

<https://www.phoenixcontact.com/in/products/1585760>

Drawings



Dimensional drawing

Crimp contact - CK2,5-ED-0,5ST FE



1585760

<https://www.phoenixcontact.com/in/products/1585760>

Classifications

ECLASS

ECLASS-9.0	27440204
ECLASS-10.0.1	27440204
ECLASS-11.0	27440204

ETIM

ETIM 8.0	EC000796
----------	----------

UNSPSC

UNSPSC 21.0	39121500
-------------	----------

Crimp contact - CK2,5-ED-0,5ST FE



1585760

<https://www.phoenixcontact.com/in/products/1585760>

Environmental Product Compliance

China RoHS	Environmentally friendly use period: unlimited = EFUP-e
	No hazardous substances above threshold values

Crimp contact - CK2,5-ED-0,5ST FE

1585760

<https://www.phoenixcontact.com/in/products/1585760>

Accessories

Assembly tool

Assembly tool - UNIFOX MT-CK 1.6/2.5 - 1089092

<https://www.phoenixcontact.com/in/products/1089092>

Assembly tool, for CK 1.6... crimp contacts for small conductor cross sections



Contact removal tool

Contact removal tool - UNIFOX RT-CK 2.5 - 1072067

<https://www.phoenixcontact.com/in/products/1072067>

Contact removal tool, for turned CK 2,5... contacts



Crimp contact - CK2,5-ED-0,5ST FE



1585760

<https://www.phoenixcontact.com/in/products/1585760>

Crimp contact

Crimp contact - CK2,5-ED-0,5BU FE - 1585773

<https://www.phoenixcontact.com/in/products/1585773>



Turned 2.5 crimp contact, individual Fe female contact, core cross section 0.5 mm², Au surface

Crimping pliers

Crimping pliers - CRIMPFOX-TC 4 - 1212113

<https://www.phoenixcontact.com/in/products/1212113>



Crimping pliers, for CK 1,6-ED..., CK 2,5-ED..., CK 4,0-ED... turned contacts, 4 marked die stations, unlockable pressure lock, lateral entry, incl. positioning tool

Phoenix Contact 2022 © - all rights reserved

<https://www.phoenixcontact.com>

PHOENIX CONTACT (I) Pvt. Ltd.

A-58/2, Okhla Industrial Area, Phase - II, New Delhi-110 020

+91.1275.71420

info@phoenixcontact.co.in