

# Housing - HC-STA-B48-BWS-EMC-AL

1424863

<https://www.phoenixcontact.com/pc/products/1424863>

Please be informed that the data shown in this PDF document is generated from our Online Catalog. Please find the complete data in the user documentation. Our General Terms of Use for Downloads are valid.

---



Panel mounting base B48, with single locking latch, material: Die-cast aluminum, salt water resistant, height: 39.4 mm, cable gland: none, Standard, with flat gasket

---

## Your advantages

- good shielding in the event of electromagnetic interference

# Housing - HC-STA-B48-BWS-EMC-AL



1424863

<https://www.phoenixcontact.com/pc/products/1424863>

## Commercial Data

Item number	1424863
Packing unit	1 pc
Minimum order quantity	1 pc
Product Key	BF7APB
Catalog Page	Page 645 (C-2-2019)
GTIN	4055626382685
Weight per Piece (including packing)	475.8 g
Weight per Piece (excluding packing)	338 g
Customs tariff number	85389099
Country of origin	CN

1424863


<https://www.phoenixcontact.com/pc/products/1424863>

## Technical Data

### Product properties

Type	B48
Product type	Housing with locking latch
Application	Standard
Housing type	Panel mounting base
Locking type	with single locking latch
Pg screw connection	none

### Dimensions

Dimensional drawing	
Width	99.2 mm
Height	39.4 mm
Length	162 mm
Drill hole distance, horizontal	148 mm
Drill hole distance, vertical	70 mm
Hole diameter	6.5 mm

### Installation dimensions

Width of the assembly cutout	81 mm
Length of the assembly cutout	117 mm

### Material specifications

Color	gray aluminum
Flammability rating according to UL 94	V0 (Interlock)
Sealing material	NBR, conductive (profile gasket) NBR, conductive (Flat gasket)
Housing surface material	uncoated
Locking latch material	PA
Impact strength	IK08
Housing material	Die-cast aluminum, salt water resistant

### Ambient conditions

Degree of protection	IP66
	IP67
Degree of protection	4 (UL 50e)
	4X (UL 50e)
	12 (UL 50e)
Impact strength	IK08

# Housing - HC-STA-B48-BWS-EMC-AL



1424863

<https://www.phoenixcontact.com/pc/products/1424863>

Ambient temperature (operation)
---------------------------------

-40 °C ... 125 °C
-------------------

## Mechanical properties

### Mechanical data

Locking type
--------------

Latch
-------

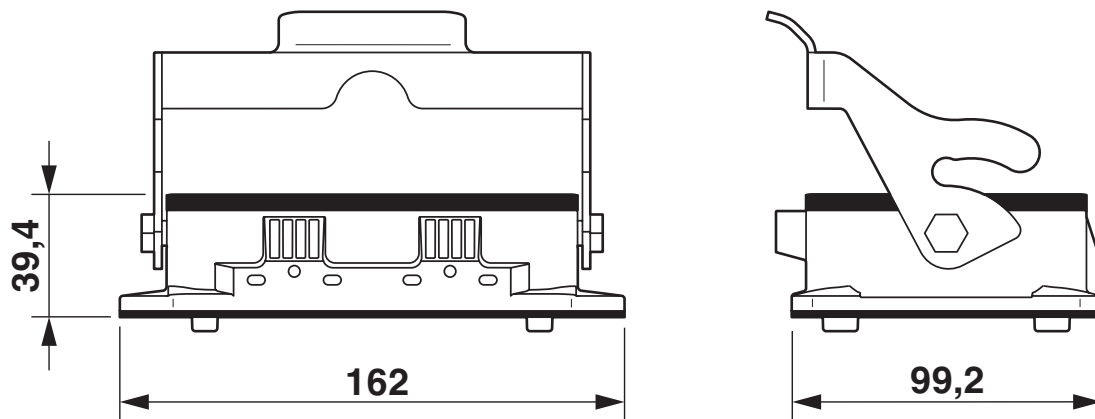
# Housing - HC-STA-B48-BWS-EMC-AL

1424863

<https://www.phoenixcontact.com/pc/products/1424863>

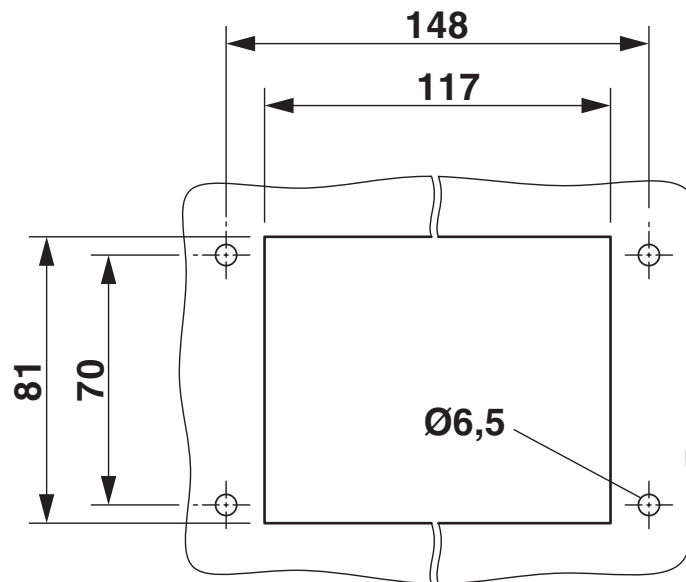
## Drawings

Dimensional drawing



Dimensional drawing

Dimensional drawing



Mounting cutout

# Housing - HC-STA-B48-BWS-EMC-AL



1424863

<https://www.phoenixcontact.com/pc/products/1424863>

## Approvals

**DNV**

Approval ID: TAE000037S

**EAC**

**EAC**

Approval ID: RU C-DE.AI30.B.01102

**EAC**

**EAC**

Approval ID: RU C-DE.BL08.B.00511

1424863

<https://www.phoenixcontact.com/pc/products/1424863>

## Classifications

### ECLASS

ECLASS-9.0	27440202
ECLASS-10.0.1	27440202
ECLASS-11.0	27440202

### ETIM

ETIM 8.0	EC000437
----------	----------

### UNSPSC

UNSPSC 21.0	31261500
-------------	----------

# Housing - HC-STA-B48-BWS-EMC-AL



1424863

<https://www.phoenixcontact.com/pc/products/1424863>

## Environmental Product Compliance

China RoHS	Environmentally friendly use period: unlimited = EFUP-e No hazardous substances above threshold values
------------	---

Phoenix Contact 2022 © - all rights reserved  
<https://www.phoenixcontact.com>

PHOENIX CONTACT GmbH & Co. KG  
Flachmarktstraße 8  
D-32825 Blomberg  
+49 (0) 5235-3 00  
[info@phoenixcontact.com](mailto:info@phoenixcontact.com)