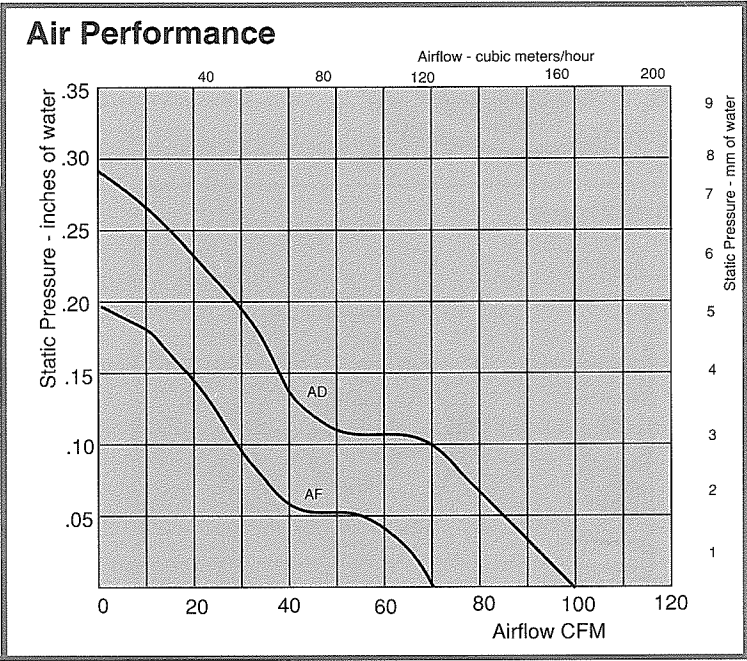
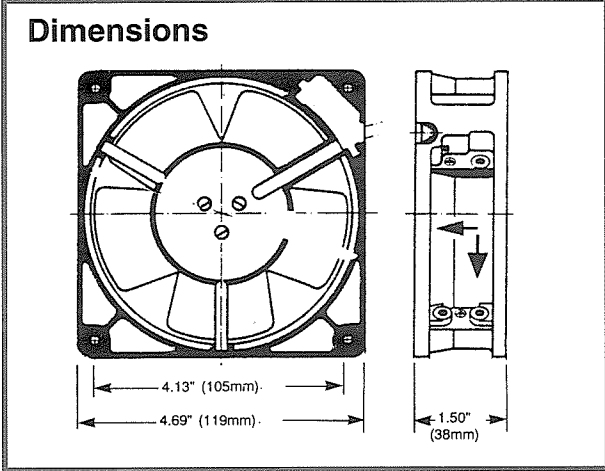


**W2G 107**  
**Brushless DC**  
 4-11/16" x 1-1/2"  
 (119mm x 38mm)



Ball Bearing Max Temp. 75°C	Sleeve Bearing Max. Temp. 60°C	DC Volts	Watts	CFM	dBA	PSIL dB	Features	Approvals		
								UL	CSA	VDE
W2G107-AD01-13	W2G107-AD01-39	12	3.5	100	42	36	Terminals	✓	✓	✓
W2G107-AD01-01	W2G107-AD01-03	12	3.5	100	42	36	10.5" AWG 22 Leads	✓	✓	✓
W2G107-AD01-85		12	3.5	100	42	36	Leads, Hall Effect	✓	✓	✓
W2G107-AD01-87		12	3.5	100	42	36	Terminals, Hall Effect	✓	✓	✓
W2G107-AD03-13		24	3.3	100	42	36	Terminals	✓	✓	✓
W2G107-AD03-01		24	3.3	100	42	36	10.5" Awg 22 Leads	✓	✓	✓
W2G107-AD03-85		24	3.3	100	42	36	Leads, Hall Effect	✓	✓	✓
W2G107-AD03-87		24	3.3	100	42	36	Terminals, Hall Effect	✓	✓	✓
W2G107-AD05-13		48	3.6	100	42	36	Terminals	✓	✓	✓
W2G107-AD05-01		48	3.6	100	42	36	10.5" AWG 22 Leads	✓	✓	✓
W2G107-AD05-85		48	3.6	100	42	36	Leads, Hall Effect	✓	✓	✓
W2G107-AD05-87		48	3.6	100	42	36	Terminals, Hall Effect	✓	✓	✓
W2G107-AF07-01		12	1.6	70	33	28	10.5" AWG 22 Leads	✓	✓	✓
W2G107-AF07-13		12	1.6	70	33	28	Terminals	✓	✓	✓
W2G107-AF35-01		24	2.2	70	33	28	10.5" AWG 22 Leads	✓	✓	✓
W2G107-AF35-13		24	2.2	70	33	28	Terminals	✓	✓	✓
W2G107-AF49-01		48	2.6	70	33	28	10.5" AWG 22 Leads	✓	✓	✓
W2G107-AF49-13		48	2.6	70	33	28	Terminals	✓	✓	✓

UL yellow card E54522, CSA file LR43145, VDE file 1375

**Construction, Mounting & Connection**

<p><b>Mounting:</b> From either face using four .177" (4.5mm) holes.</p> <p><b>Weight:</b> 1.3 lbs. (.57kg).</p> <p><b>Air Flow:</b> Struts on discharge.</p> <p><b>Housing:</b> Aluminum.</p>	<p><b>Connection:</b> Two polarized spade terminals .110" (2.8mm) wide, .020" (.51mm) thick and .33" (8.5mm) long on .295" (7.5mm) centers. Lead wires color coded, red (+), blue (-).</p> <p><b>Options:</b> Hall Effect monitor.</p>
--	--