

# NCP1566

## Highly Integrated Dual-Mode Active Clamp PWM Controller

The NCP1566 is a highly integrated dual-mode active-clamp PWM controller targeting next-generation high-density, high-performance and small to medium power level isolated dc-dc converters for use in telecom and datacom industries. It can be configured in either voltage mode control with input voltage feed-forward or peak current mode control. Peak current mode control may be implemented with input voltage feedforward as well. Adjustable adaptive overlap time optimizes system efficiency based on input voltage and load conditions.

This controller integrates all the necessary control and protection functions to implement an isolated active clamp forward or asymmetric half-bridge converter. It integrates a high-voltage startup bias regulator. The NCP1566 has a line undervoltage detector, cycle-by-cycle current limiting, line voltage dependent maximum duty ratio limit, over voltage protection, and programmable overtemperature protection using an external thermistor. It also includes a dual-function  $\overline{\text{FLT/SD}}$  pin used for communicating the presence of a fault but also for shutting down the controller. A dedicated dual-function synchronization pin eases operations when associating bricks together.

### General Features

- Support Voltage Mode Control and Peak Current Mode Control
- Line Feedforward
- Adaptive Overlap time Control for Improved Efficiency
- Integrated 120-V High Voltage Startup Circuit with Self-Supply Operation
- Line Undervoltage Lockout (UVLO) with Adjustable Hysteresis
- Cycle by Cycle Peak Current Limiting
- Adjustable Over Power Protection
- Overcurrent Protection Based on Average Current
- Short Circuit Protection
- Programmable Maximum Duty Ratio Clamp
- Programmable Soft-Start
- External Over-temperature Protection Using a Thermistance
- Over Voltage Protection through a dedicated pin
- $\overline{\text{FLT/SD}}$  pin Used for Fault reporting and Shutdown Input
- Programmable Oscillator with a 1 MHz Maximum Frequency and Synchronization Capability
- 5 V/2% Voltage Reference
- Main Switch Drive Capability of -2 A / 3 A
- Active Clamp Switch Drive Capability of -2 A / 1 A
- $V_{\text{CC}}$  Range: from 6.5 V to 20 V
- This is a Pb and Halogen Free Device



ON Semiconductor®

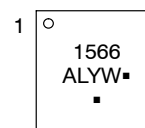
[www.onsemi.com](http://www.onsemi.com)



SCALE 2:1

QFN24, 4 x 4, 0.5P  
MTNTXG SUFFIX  
CASE 485CW

### MARKING DIAGRAM

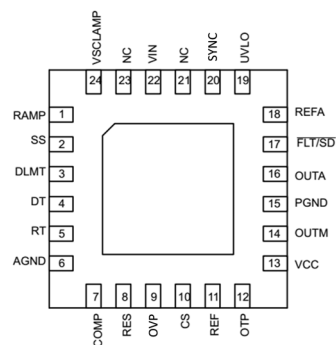


- A = Assembly Location
- L = Wafer Lot
- Y = Year
- W = Work Week
- = Pb-Free Package

(Note: Microdot may be in either location)

### PIN CONNECTIONS

QFN24 (Top View)



### ORDERING INFORMATION

See detailed ordering and shipping information on page 36 of this data sheet.

# NCP1566

## Typical Applications

- High-Efficiency Isolated Dc–Dc Converters
- Server Power Supplies
- 24 V and 48 V Telecom Systems
- 42 V Automotive Applications

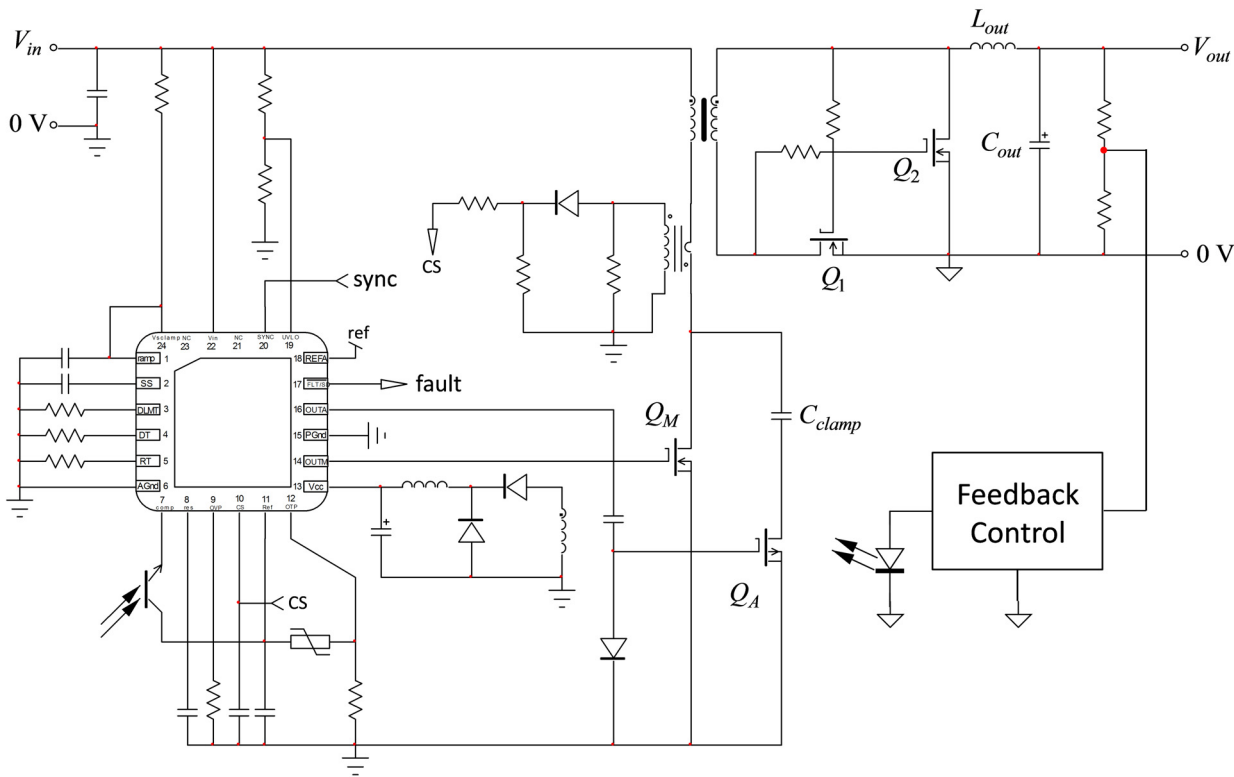


Figure 1. Typical Application Circuit in Voltage Mode Control

# NCP1566

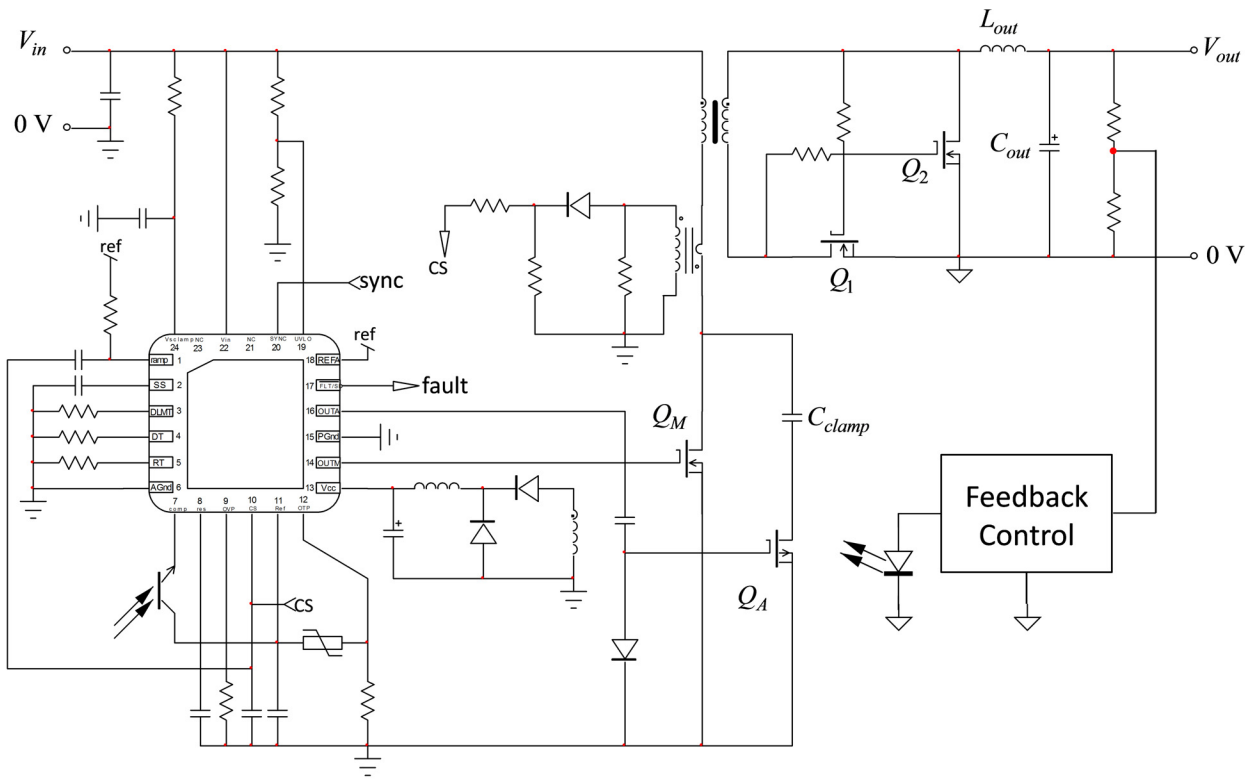


Figure 2. Typical Application Circuit in Current Mode Control

# NCP1566

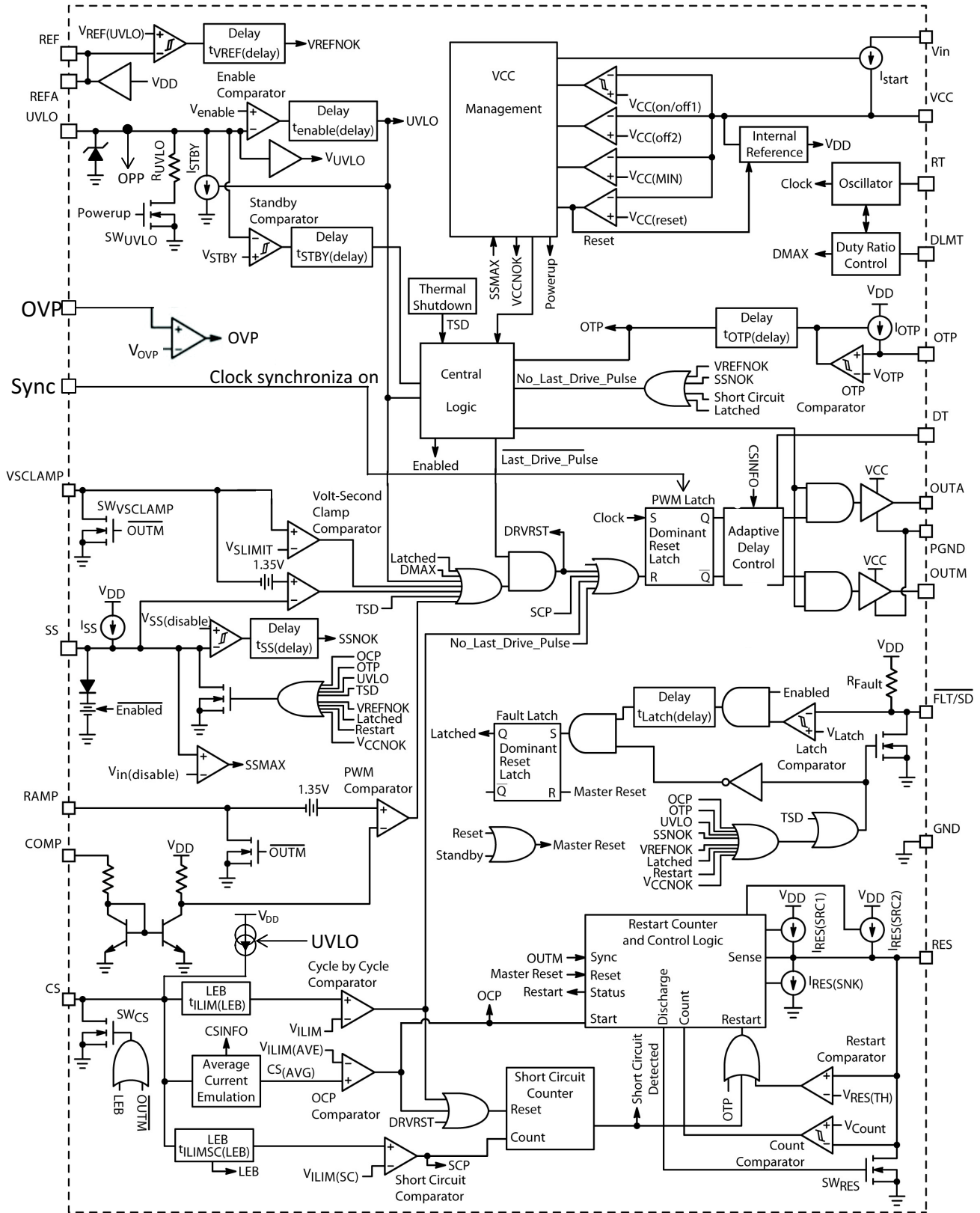


Figure 3. Functional Block Diagram

# NCP1566

**Table 1. DETAILED PIN DESCRIPTION**

Pin Number	Name	Function
1	RAMP	PWM modulator ramp. In voltage mode an external R-C circuit from $V_{in}$ sets the PWM Ramp slope to implement feedforward. In current mode control, the resistor of the external R-C circuit connects to REF for ramp compensation
2	SS	Soft-start control. A 20 $\mu$ A current source charges the external capacitor connected to this pin. Duty ratio is limited during startup by comparing the voltage on this pin to a level-shifted VSCLAMP signal. Under steady state conditions, the SS voltage is approximately 4.5 V. Once a fault is detected the SS capacitor is discharged and the controller is disabled
3	DLMT	Maximum duty ratio limit. A resistor between this pin and AGND sets the maximum duty ratio of the controller
4	DT	Dead time control. An external resistor between this pin and AGND sets the overlap time delay between OUTM and OUTA
5	RT	Oscillator frequency setting pin. The total external resistance connected between the RT and AGND pins sets the internal oscillator frequency
6	AGND	Analog circuit ground reference. All control and timing components that connect to AGND should have the shortest loop possible to this pin to improve noise immunity. It should be tied to PGND at the return of the power stage
7	COMP	Input to the pulse width modulator. An external optocoupler connected between the REF and COMP pin sources current into an internal current mirror. The maximum duty ratio is achieved when no current is sourced by the optocoupler. The duty cycle reduces to zero once the source current exceeds 850 $\mu$ A. The internal current mirror improves the frequency response by reducing the ac voltage across the optocoupler transistor
8	RES	Restart time control. A capacitor between this pin and AGND set the shutdown delay and hiccup mode restart delay time. If a restart fault is detected, a pull-up current source, $I_{RES(SRC1)}$ , typically 20 $\mu$ A is enabled. If the RES pin voltage, $V_{RES}$ , exceeds the restart threshold, $V_{RES(TH)}$ , typically 1 V, the controller enters restart mode. $I_{RES(SRC1)}$ is disabled once in restart mode and a second pull up current source, $I_{RES(SRC2)}$ , typically 5 $\mu$ A enabled. $I_{RES(SRC2)}$ is disabled once $V_{RES}$ reaches $V_{RES(peak)}$ , typically 4 V. A pull-down current source, $I_{RES(SNK)}$ , typically 5 $\mu$ A, is enabled until $V_{RES}$ falls below $V_{RES(valley)}$ typically 2 V. The controller restarts after 32 $V_{RES}$ charge/discharge cycles
9	OVP	When this pin is biased beyond 1.25 V, all pulses immediately stop and the controller resumes operations after 32 $V_{RES}$ charge/discharge cycles
10	CS	Current sense input. The current sense signal is used for current-mode control, adaptive dead time control, cycle-by-cycle current limiting, over-current protection and short circuit protection, etc.  If the CS voltage exceeds the cycle by cycle current limit threshold, $V_{ILIM}$ , typically 0.45 V, the drive pulse is terminated. Internal leading edge blanking prevents triggering of the cycle by cycle current limit during normal operation. A short circuit condition exists if $V_{CS}$ exceeds the short-circuit threshold, $V_{ILIM(SC)}$ , typically set to 0.7 V, during two consecutive clock pulses. By inserting a resistor in series with the sense current information, it is possible to create a voltage offset proportional to the input voltage and thus affects the maximum power the converter delivers at high line
11	REF	Precision 5 V reference. Maximum output current is 12 mA. It is required to bypass the reference with a capacitor. The recommended capacitance ranges between 0.1 to 0.47 $\mu$ F
12	OTP	Over-temperature protection. A voltage divider containing a NTC connects to this pin
13	VCC	Positive input supply. This pin connects to an external capacitor for energy storage. An internal current source, $I_{start}$ , supplies current from $V_{in}$ to this pin. Once $V_{CC}$ reaches $V_{CC(on)}$ , typically 9.5 V, the startup current source is disabled. The current source is enabled once $V_{CC}$ falls below $V_{CC(off1)}$ , typically 9.4 V, while faults are present. Once faults are removed and the controller is operating, the startup current source turn-on threshold is reduced to $V_{CC(off2)}$ , typically 7.5 V
14	OUTM	Main switch gate control. OUTM can source 2 A and sink 3 A
15	PGND	Ground connection for OUTM and OUTA. Tie to the power stage return with a short loop
16	OUTA	Active clamp switch gate control. OUTA has an adjustable leading and trailing edge overlap delay against OUTM. OUTA can source 2 A and sink 1 A
17	FLT/SD	Fault report and shutdown control. This is a dual-function bi-directional pin. This pin is an open-collector output with a 10 k $\Omega$ internal pull-up resistance connected to REF

# NCP1566

**Table 1. DETAILED PIN DESCRIPTION** (continued)

Pin Number	Name	Function
18	REFA	Internally connected to REF
19	UVLO	Input voltage undervoltage detector. The input voltage is scaled down and sampled by means of a resistor divider. The controller enters standby mode once the UVLO voltage, $V_{UVLO}$ , exceeds the standby threshold, $V_{STBY}$ , typically 0.4 V. The controller enters shutdown mode if $V_{UVLO}$ falls below $V_{STBY}$ by the shutdown hysteresis level. The controller is enabled once $V_{UVLO}$ exceeds the enable threshold, $V_{enable}$ , typically 1.25 V. Hysteresis is provided by an internal pull-down current source, $I_{UVLO}$ , typically 20 $\mu$ A. The current source is disabled once the controller is enabled
20	SYNC	This bi-directional pin is used to synchronize the controller or synchronize another controller driven by this pin
21	NC	No connect (creepage distance)
22	$V_{IN}$	High voltage startup circuit input. Connect the input line voltage directly to this pin to enable the internal startup regulator. A constant current source supplies current from this pin to the capacitor connected to the VCC pin, eliminating the need for a startup resistor. The minimum charge current is 40 mA. The operating voltage range of the startup circuit is 13 V to 120 V
23	NC	No connect (creepage distance)
24	VSCLAMP	Volt-second clamp. An external R-C divider from the input line generates a voltage ramp. This ramp is compared to a voltage reference, $V_{SLIMIT}$ , typically 1.5 V. The OUTM pulse is terminated once the ramp voltage exceeds $V_{SLIMIT}$ , thus limiting the maximum volt-second product of the main transformer. In voltage mode, VSCLAMP and RAMP pins can be tied together to share one external R-C circuit

**Table 2. MAXIMUM RATINGS**

Rating	Symbol	Value	Unit
High Voltage Startup Circuit Input Voltage – Continuous operation (Note 1)	$V_{IN}$	-0.3 to 120	V
High Voltage Startup Circuit Input Current	$I_{IN}$	70	mA
UVLO Input Voltage	$V_{UVLO}$	-0.3 to $V_{CC}$	V
OTP Input Voltage	$V_{OTP}$	-0.3 to 7	V
Ramp Input Voltage	$V_{Ramp}$	-0.3 to 7	V
OVP Input Voltage	$V_{OVP}$	-0.3 to 7	V
Sync Input Voltage	$V_{Sync}$	-0.3 to 7	V
Ramp Peak Input Current	$I_{Ramp}$	1	A
VSCLamp Input Voltage	$V_{SCLAMP}$	-0.3 to 7	V
VSCLamp Input Current	$I_{SCLAMP}$	0.5	mA
RT Input Voltage	$V_{RT}$	-0.3 to 7	V
RT Input Current	$I_{RT}$	2	mA
COMP Input Voltage	$V_{COMP}$	-0.3 to 5.5	V
COMP Input Current	$I_{COMP}$	1	mA
Reference Input Voltage	$V_{REF}$	-0.3 to 7	V
Reference Input Current	$I_{REF}$	20	mA
Supply Input Voltage	$V_{CC(MAX)}$	-0.3 to 20	V
Supply Input Current	$I_{CC(MAX)}$	70	mA
Main Driver Maximum Voltage	$V_{OUTM}$	-0.3 to $V_{CC}$	V
Main Driver Maximum Current	$I_{OUTM(SRC)}$ $I_{OUTM(SNK)}$	2 3	A
Active Clamp Driver Maximum Voltage	$V_{OUTA}$	-0.3 to $V_{CC}$	V

# NCP1566

**Table 2. MAXIMUM RATINGS** (continued)

Rating	Symbol	Value	Unit
Active Clamp Driver Maximum Current	$I_{OUTA(SRC)}$ $I_{OUTA(SNK)}$	2 1	A
Current Sense Input Voltage	$V_{CS}$	-0.3 to 7	V
Current Sense Peak Input Current	$I_{CS}$	0.5	A
Soft-Start Input Voltage	$V_{SS}$	-0.3 to 7	V
Restart Input Voltage	$V_{RES}$	-0.3 to 7	V
Restart Peak Input Current	$I_{RES}$	0.1	A
FLT/SD Input Voltage	$\overline{V_{FLT/SD}}$	-0.3 to 7	V
FLT/SD Peak Input Current	$\overline{I_{FLT/SD}}$	0.1	A
Deadtime Input Voltage	$V_{DT}$	-0.3 to 7	V
Maximum Duty Ratio Control Input Voltage	$V_{DLMT}$	-0.3 to 7	V
Maximum Duty Ratio Control Input Current	$I_{DLMT}$	2	mA
Maximum Operating Junction Temperature	$T_J$	-40 to 150	°C
Storage Temperature Range	$T_{STG}$	-60 to 150	°C
Lead Temperature (Soldering, 10 s)	$T_{L(MAX)}$	300	°C
Moisture Sensitivity Level	MSL	1	-
Power Dissipation ( $T_A = 25^\circ\text{C}$ , 1 Oz Cu (35 $\mu\text{m}$ ), 0.155 Sq Inch (100 mm <sup>2</sup> ) Printed Circuit Copper Clad (Note 3) MNTXG Suffix, Plastic Package (QFN-24)	$P_D$	760	mW
Thermal Resistance, Junction to Ambient 1 Oz Cu (35 $\mu\text{m}$ ) 2-Layer 100 mm <sup>2</sup> Printed Circuit Copper Clad (Note 3) MNTXG Suffix, Plastic Package (QFN-24)	$R_{\theta JA}$	131	°C/W
Thermal Resistance, Junction to Case 2 Oz Cu (70 $\mu\text{m}$ ) 2-Layer 100 mm <sup>2</sup> Printed Circuit Copper Clad (Note 3) MNTXG Suffix, Plastic Package (QFN-24)	$R_{\theta JA}$	115	°C/W
Junction to Top Psi ( $\psi$ ) 1 Oz Cu (35 $\mu\text{m}$ ) 2-Layer 100 mm <sup>2</sup> Printed Circuit Copper Clad (Note 3) MNTXG Suffix, Plastic Package (QFN-24)	$\psi_{\theta JT}$	22	°C/W
Junction to Board Psi ( $\psi$ ), 1 Oz Cu (35 $\mu\text{m}$ ) 2-Layer 100 mm <sup>2</sup> Printed Circuit Copper Clad (Note 3) MNTXG Suffix, Plastic Package (QFN-24)	$\psi_{\theta JB}$	5.4	°C/W
ESD Capability Human Body Model per JEDEC Standard JESD22-A114F Charge Device Model per JEDEC Standard JESD22-C101F		> 2000 > 1500	V

Stresses exceeding those listed in the Maximum Ratings table may damage the device. If any of these limits are exceeded, device functionality should not be assumed, damage may occur and reliability may be affected.

1. This device contains Latch-Up protection and exceeds  $\pm 100$  mA per JEDEC Standard JESD78.
2. As specified for a JEDEC EIA/JESD 51.3 conductivity test. Test conditions were under natural convection of zero air flow.
3.  $V_{IN}$  is the exception.

# NCP1566

**Table 3. ELECTRICAL CHARACTERISTICS**

( $C_{REF} = 0.1 \mu\text{F}$ ,  $V_{in} = 48 \text{ V}$ ,  $V_{UVLO} = 2 \text{ V}$ ,  $V_{CC} = 10 \text{ V}$ ,  $V_{CS} = 0.25 \text{ V}$ ,  $R_{DLMT} = 49.9 \text{ k}\Omega$ ,  $R_{DT} = 100 \text{ k}\Omega$ ,  $R_T = 15.4 \text{ k}\Omega$ , for typical values  $T_J = 25 \text{ }^\circ\text{C}$ , for min/max values,  $T_J$  is  $-40 \text{ }^\circ\text{C}$  to  $125 \text{ }^\circ\text{C}$ , unless otherwise noted)

Characteristics	Conditions	Symbol	Min	Typ	Max	Unit
<b>STARTUP AND SUPPLY CIRCUITS</b>						
Supply Voltage	$V_{CC}$ increasing	$V_{CC(on)}$	9.1	9.5	9.9	V
Upper Regulation Level	$V_{CC}$ decreasing	$V_{CC(off1)}$	9.0	9.4	9.8	
Lower Regulation While Disabled	$V_{CC}$ decreasing	$V_{CC(off2)}$	7.3	7.5	7.7	
Lower Regulation While Enabled	$V_{CC}$ decreasing	$V_{CC(MIN)}$	6.2	6.5	6.8	
Minimum Operating Voltage	$V_{CC}$ decreasing	$V_{CC(reset)}$	6.1	6.4	6.7	
Reset Voltage						
Startup Delay	Delay from $V_{CC(on)}$ to Enable	$t_{delay(start)}$	30	–	125	$\mu\text{s}$
Delay in turning start-up source off	$V_{CC} > V_{CC(off2)}$	$t_{VCC(off2)}$		3	10	$\mu\text{s}$
Delay in turning start-up source on	$V_{CC} < V_{CC(off2)}$	$t_{VCC(on2)}$		15	30	$\mu\text{s}$
Startup Current	$V_{CC} = V_{CC(on)} - 0.2 \text{ V}$ , $V_{in} = 48 \text{ V}$	$I_{start}$	40	55	–	mA
Startup Circuit Off-State Leakage Current	$V_{in} = 120 \text{ V}$	$I_{Vin(off)}$	–	–	100	$\mu\text{A}$
Minimum Startup Voltage	$I_{start} = 15 \text{ mA}$ , $V_{CC} = V_{CC(on)} - 0.2 \text{ V}$	$V_{in(MIN)}$	–	–	15	V
Supply Current						mA
Disabled mode current	UVLO below 0.4 V	$I_{CC1}$		–	2	
Standby	$V_{CC} = 10 \text{ V}$ , $V_{UVLO} = 1 \text{ V}$	$I_{CC2}$	–	–	2	
No Switching	$V_{CC} = 10 \text{ V}$ , $I_{COMP} = 850 \mu\text{A}$	$I_{CC3}$	–	–	4	
Operating Current	$f = 200 \text{ kHz}$ , $C_{OUTM} = C_{OUTA} = \text{open}$	$I_{CC4}$	–	–	5	
<b>REFERENCE</b>						
Reference Voltage	$I_{REF} = 0 \text{ mA}$	$V_{REF}$	4.9	5.0	5.1	V
Load Regulation	$I_{REF} = 0$ to $10 \text{ mA}$	$V_{REF(load-reg)}$	4.85	5.00	5.15	V
Step Load Response	$I_{REF} = 5$ to $10 \text{ mA}$ , $dI/dt = 100 \text{ mA} / \mu\text{s}$	$V_{REF(step-reg)}$	4.85	5.00	5.15	V
Source Current	$V_{REF} = 4.75 \text{ V}$	$I_{REF(MAX)}$	12	–	–	mA
Minimum Decoupling Capacitance		$C_{REF(range)}$	0.1	–	–	$\mu\text{F}$
Reference Undervoltage Threshold	$V_{REF}$ increasing	$V_{REF(UVLO)}$		4.5	4.75	V
Reference Undervoltage Hysteresis	$V_{REF}$ decreasing	$V_{REF(HYS)}$		200		mV
<b>LINE VOLTAGE UVLO</b>						
Standby Decreasing	$V_{UVLO}$ decreasing	$V_{STBY}$	0.2	0.3	0.4	V
Enable Threshold	$V_{UVLO}$ increasing	$V_{enable}$	1.23	1.25	1.27	V
Disable Filter Delay	$V_{UVLO} = V_{enable} - 400 \text{ mV}$	$t_{enable(delay2)}$	0.5	–	1	$\mu\text{s}$
Pull-Down Current in Standby Mode	$V_{UVLO} = V_{enable} - 0.1 \text{ V}$ $V_{SHDN} < V_{UVLO} < V_{enable}$	$I_{STBY}$	18	20	22	$\mu\text{A}$
Pull-Down Resistor while $I_{STBY}$ is Disabled	$V_{UVLO} = 1.25 \text{ V}$	$R_{UVLO}$	22.4	32.0	41.6	k $\Omega$



# NCP1566

**Table 3. ELECTRICAL CHARACTERISTICS** (continued)

( $C_{REF} = 0.1 \mu\text{F}$ ,  $V_{in} = 48 \text{ V}$ ,  $V_{UVLO} = 2 \text{ V}$ ,  $V_{CC} = 10 \text{ V}$ ,  $V_{CS} = 0.25 \text{ V}$ ,  $R_{DLMT} = 49.9 \text{ k}\Omega$ ,  $R_{DT} = 100 \text{ k}\Omega$ ,  $R_T = 15.4 \text{ k}\Omega$ , for typical values  $T_J = 25 \text{ }^\circ\text{C}$ , for min/max values,  $T_J$  is  $-40 \text{ }^\circ\text{C}$  to  $125 \text{ }^\circ\text{C}$ , unless otherwise noted)

Characteristics	Conditions	Symbol	Min	Typ	Max	Unit
<b>MAIN GATE DRIVE</b>						
Rise Time (10–90%)	from 10 to 90% of $V_{OUTM}$ , $C_{OUTM} = 2.2 \text{ nF}$	$t_{OUTM(\text{rise})}$	–	8.8	17.6	ns
Fall Time (90–10%)	90 to 10% of $V_{OUTM}$ , $C_{OUTM} = 2.2 \text{ nF}$	$t_{OUTM(\text{fall})}$	–	6.0	12	ns
Current Capability Source Sink	$V_{OUTM} = 4 \text{ V}$ $V_{OUTM} = 4 \text{ V}$ , $V_{CC} = 7.5 \text{ V}$ , $I_{COMP} = 850 \mu\text{A}$	$I_{OUTM(\text{SRC})}$ $I_{OUTM(\text{SNK})}$	2 3	–	–	A
High State Voltage Offset	$V_{CC} - V_{OUTM}$ , $V_{CC} = 8 \text{ V}$ , $C_{OUTM} = 2.2 \text{ nF}$	$V_{OUTM(\text{offset})}$	–	–	0.2	V
Low Stage Voltage	$V_{UVLO} = 1 \text{ V}$	$V_{OUTM(\text{low})}$	–	–	0.2	V
<b>ACTIVE CLAMP GATE DRIVE</b>						
Rise Time (10–90%)	from 10 to 90% of $V_{OUTA}$ , $C_{OUTA} = 2.2 \text{ nF}$	$t_{OUTA(\text{rise})}$	–	8.8	17.6	ns
Fall Time (90–10%)	90 to 10% of $V_{OUTA}$ , $C_{OUTA} = 2.2 \text{ nF}$	$t_{OUTA(\text{fall})}$	–	17.6	35.2	ns
Current Capability Source Sink	$V_{OUTA} = 4 \text{ V}$ $V_{OUTA} = 4 \text{ V}$ , $V_{CC} = 7.5 \text{ V}$	$I_{OUTA(\text{SRC})}$ $I_{OUTA(\text{SNK})}$	2 1	–	–	A
High State Voltage Offset	$V_{CC} - V_{OUTA}$ , $V_{CC} = 8 \text{ V}$ , $C_{OUTA} = 2.2 \text{ nF}$	$V_{OUTA(\text{offset})}$	–	–	0.2	V
Low Stage Voltage	$V_{UVLO} = 1 \text{ V}$	$V_{OUTA(\text{low})}$	–	–	0.2	V
<b>CURRENT SENSE</b>						
Average Current Limit Threshold		$V_{ILIM(\text{ave})}$	288	300	312	mV
Average Current Limit Leading Edge Blanking Duration		$t_{ILIM(\text{AVE})(\text{LEB})}$	23	30	37	ns
Average Current Limit Propagation Delay		$t_{ILIM(\text{AVE})(\text{delay})}$	–	40	–	ns
Cycle by Cycle Current Limit Threshold		$V_{ILIM}$	432	450	468	mV
Over Current Timer when $V_{ILIM}$ is reached		$t_{OVL D}$	150	180	–	ms
Current Sourced by CS low line	Over Power Protection current – $V_{UVLO} = 1.4 \text{ V}$	$CS_{OVPL}$	–	0	–	$\mu\text{A}$
Current Sourced by CS high line	Over Power Protection current – $V_{UVLO} = 2.8 \text{ V}$	$CS_{OVPH}$	90	100	110	$\mu\text{A}$
Cycle by Cycle Current Limit Leading Edge Blanking Duration		$t_{ILIM(\text{LEB})}$	42	55	68	ns
Cycle by Cycle Current Limit Propagation Delay	Step $V_{CS}$ to 0.7 V to OUTM falling edge, $dV/dt = 20 \text{ V}/\mu\text{s}$	$t_{ILIM(\text{delay})}$	–	40	56	ns
Short Circuit Current Limit Threshold		$V_{ILIM(\text{SC})}$	679	700	721	mV
Short Circuit Current Limit Leading Edge Blanking Duration		$t_{ILIM(\text{SC})(\text{LEB})}$	23	30	37	ns
Short-Circuit Current Limit Propagation Delay	Step $V_{CS}$ to 0.9 V to OUTM falling edge, $dV/dt = 10 \text{ V}/\mu\text{s}$	$t_{ILIM(\text{SC})(\text{delay})}$	–	40	56	ns
Short Circuit Counter	Step $V_{CS}$ to $V_{ILIM(\text{SC})} + 0.2 \text{ V}$	$n_{ILIM(\text{SC})}$	–	2	–	–

# NCP1566

**Table 3. ELECTRICAL CHARACTERISTICS** (continued)

( $C_{REF} = 0.1 \mu\text{F}$ ,  $V_{in} = 48 \text{ V}$ ,  $V_{UVLO} = 2 \text{ V}$ ,  $V_{CC} = 10 \text{ V}$ ,  $V_{CS} = 0.25 \text{ V}$ ,  $R_{DLMT} = 49.9 \text{ k}\Omega$ ,  $R_{DT} = 100 \text{ k}\Omega$ ,  $R_T = 15.4 \text{ k}\Omega$ , for typical values  $T_J = 25 \text{ }^\circ\text{C}$ , for min/max values,  $T_J$  is  $-40 \text{ }^\circ\text{C}$  to  $125 \text{ }^\circ\text{C}$ , unless otherwise noted)

Characteristics	Conditions	Symbol	Min	Typ	Max	Unit
<b>CURRENT SENSE</b>						
Discharge Switch On Resistance	$V_{SCLAMP} = 2 \text{ V}$ , $V_{CS} = 100 \text{ mV}$	$R_{CSswitch(on)}$	–	–	35	$\Omega$
<b>OVERTEMPERATURE PROTECTION (OTP)</b>						
Overtemperature Detection Threshold	$V_{OTP}$ increasing	$V_{OTP(TH)}$	1.23	1.25	1.27	V
Overtemperature Detection Delay	$V_{OTP} = V_{OTP(TH)} - 20 \text{ mV}$	$t_{OTP(delay)}$	10	20	30	$\mu\text{s}$
Pull-up Current in OTP Mode	$V_{OTP} = V_{OTP(TH)} + 0.1 \text{ V}$	$I_{OTP}$	18	20	22	$\mu\text{A}$
<b>OVERVOLTAGE PROTECTION (OVP)</b>						
Overvoltage Detection Threshold	$V_{OVP}$ increasing	$V_{OVP(TH)}$	1.23	1.25	1.27	V
Time Constant to Confirmation		$t_{OVP(TH)}$		0		$\mu\text{s}$
Hysteresis current	Active when OVP is acknowledged	$I_{HYS}$	18	20	22	$\mu\text{A}$
<b>SOFT-START</b>						
Soft-Start Charge Current	$V_{SS} = 1.5 \text{ V to } 3 \text{ V}$	$I_{SS}$	18	20	22	$\mu\text{A}$
Soft-Start Onset Threshold		$V_{SS(offset)}$		1.35		V
Clamp Voltage		$V_{SS(clamp)}$		0.85		V
Discharge Switch On Resistance	$V_{SS} = 100 \text{ mV}$	$R_{SSswitch(on)}$	–	–	30	$\Omega$
Disable Threshold	$V_{SS}$ decreasing	$V_{SS(disable)}$	0.4	0.5	0.6	V
<b>RESTART</b>						
Restart Delay Threshold	$V_{RES}$ increasing	$V_{RES(TH)}$	0.96	1.00	1.04	V
Peak Voltage	$V_{CS} > V_{ILIMAVE}$ $V_{RES}$ increasing	$V_{RES(peak)}$	3.8	4.0	4.2	V
Valley Voltage	$V_{CS} > V_{ILIMAVE}$ $V_{RES}$ decreasing	$V_{RES(valley)}$	1.9	2.0	2.1	V
Discharge Current	$V_{CS} < V_{ILIMAVE}$ $V_{RES} = 100 \text{ mV}$	$I_{RES(SNK)}$	4	5	6	$\mu\text{A}$
Charge Current	$V_{CS} > V_{ILIMAVE}$ , $V_{RES} = V_{RES(valley)} - 50 \text{ mV}$ $V_{CS} > V_{ILIMAVE}$ , $V_{RES} = V_{RES(valley)} + 50 \text{ mV}$	$I_{RES(SRC1)}$ $I_{RES(SRC2)}$	18 4	20 5	22 6	$\mu\text{A}$
Restart Counter	$V_{OTP} > V_{OTP(TH)}$	$n_{RES}$	32			
Discharge Voltage		$V_{RES(DIS)}$	50	100	150	mV
Discharge Switch On Resistance	$V_{RES} = 200 \text{ mV}$	$R_{RESswitch(on)}$	–	–	110	$\Omega$
<b>FAULT REPORT AND REMOTE SHUTDOWN</b>						
Enable Threshold	$\overline{V_{FLT/SD}}$ increasing	$V_{FLT(enable)}$	1.37	1.45	1.53	V
Fault Threshold	$\overline{V_{FLT/SD}}$ decreasing	$V_{faultFLT/SD}$	1.23	1.25	1.27	V
Internal Pull-Up Resistor	$\overline{V_{FLT/SD}} = 3 \text{ V}$	$R_{FAULT/SD}$	8.5	10.0	11.5	$\text{k}\Omega$
Discharge Switch On Resistance	$\overline{V_{FLT/SD}} = 3 \text{ V}$	$R_{FAULTswitch(on)}$	–	–	120	$\Omega$

# NCP1566

**Table 3. ELECTRICAL CHARACTERISTICS** (continued)

( $C_{REF} = 0.1 \mu F$ ,  $V_{in} = 48 V$ ,  $V_{UVLO} = 2 V$ ,  $V_{CC} = 10 V$ ,  $V_{CS} = 0.25 V$ ,  $R_{DLMT} = 49.9 k\Omega$ ,  $R_{DT} = 100 k\Omega$ ,  $R_T = 15.4 k\Omega$ , for typical values  $T_J = 25^\circ C$ , for min/max values,  $T_J$  is  $-40^\circ C$  to  $125^\circ C$ , unless otherwise noted)

Characteristics	Conditions	Symbol	Min	Typ	Max	Unit
<b>OSCILLATOR</b>						
Operating Frequency Range		$f_{range}$	100	–	1000	kHz
Oscillator Frequency $t_D \approx 100 ns$	$R_T = 42.2 k\Omega$ , $R_{DT} = 69.8 k\Omega$ , $R_{DLMT} = 47.5 k\Omega$	$f_{OSC1}$	186	200	214	kHz
$t_D \approx 75 ns$	$R_T = 13 k\Omega$ , $R_{DT} = 52.3 k\Omega$ , $R_{DLMT} = 17 k\Omega$	$f_{OSC2}$	558	600	642	
<b>SYNCHRONIZATION</b>						
Sync Pin Input Voltage to “1” level	Acknowledged high level	$V_{syncH}$	2.8	3	3.4	V
Sync Pin Input Voltage to “0” level	Acknowledged low level	$V_{syncL}$	1.4	1.6	1.8	V
Sync Input Pulse Width	Minimum input width for proper sync operation	$t_{synciw}$	50			ns
Sync Pullup Current	–	$I_{syncPU}$	0.45	0.6	0.75	mA
Sync Pulldown Current	–	$I_{syncPD}$	1.4	1.6	1.8	mA
Sync Permanent Pulldown Current		$I_{syncPPD}$	26	32	38	$\mu A$
Sync Output Width	Output Pulse Width	$t_{syncow}$	130	180	230	ns
Sync to Output Delay	Rising edge of sync pulse to OUTM rising edge	$t_{syncdel}$		32	50	ns
<b>MAXIMUM DUTY RATIO</b>						
Maximum Duty Ratio $f = 200 kHz$	Internal spec is +/- 3%, $V_{UVLO} = 1.4 V$ $R_T = 15.4 k\Omega$ , $R_{DT} = 69.8 k\Omega$ , $R_{DLMT} = 75 k\Omega$	$D_{(MAX1a)}$ $D_{(MAX2a)}$	76.5 47.8	80.5 50.3	84.5 52.8	%
$f = 600 kHz$	$R_T = 4.02 k\Omega$ , $R_{DT} = 52.3 k\Omega$ , $R_{DLMT} = 26.1 k\Omega$ $R_T = 13 k\Omega$ , $R_{DT} = 52.3 k\Omega$ , $R_{DLMT} = 16.9 k\Omega$	$D_{(MAX1b)}$ $D_{(MAX2b)}$	76.2 46.8	80.2 49.3	84.2 51.8	
Minimum Duty Ratio	$I_{COMP} = 850 \mu A$	$D_{(MIN)}$	–	–	0	%
<b>VOLT-SECOND CLAMP</b>						
Volt Second Limit Voltage Threshold	$I_{COMP} = 0 \mu A$	$V_{SLIMIT}$	1.44	1.50	1.56	V
Volt-Second Propagation Delay	Step $V_{SCLAMP}$ to 2 V to OUTM falling edge, $dV/dt = 10 V/\mu s$	$t_{VSCLAMP}$		40	60	ns
VSCLAMP Switch On Resistance	$V_{SCLAMP} = 100 mV$	$R_{VSCLAMPswitch(on)}$	–	–	45	$\Omega$
VSCLAMP Input Leakage Current	$V_{SCLAMP} = 1.4 V$	$I_{VSCLAMP(leak)}$	–	–	100	nA
<b>OVERLAP TIME DELAY</b>						
Overlap Delay Range (Note 4)		$t_D(range)$	20	–	500	ns
Overlap Delay from OUTA to OUTM rising Edges	$R_{DT} = 52.3 k\Omega$ , $V_{CS} = 0.4 V$ $R_{DT} = 52.3 k\Omega$ , $V_{CS} = 50 mV$ $R_{DT} = 69.8 k\Omega$ , $V_{CS} = 0.4 V$ $R_{DT} = 69.8 k\Omega$ , $V_{CS} = 50 mV$ $R_{DT} = 274 k\Omega$ , $V_{CS} = 0.4 V$ $R_{DT} = 274 k\Omega$ , $V_{CS} = 50 mV$	$t_{Da}$ $t_{Db}$ $t_{Dc}$ $t_{Dd}$ $t_{De}$ $t_{Df}$	84 104 112 139 440 545	112 138 150 185 587 727	140 174 187 231 734 909	ns

# NCP1566

**Table 3. ELECTRICAL CHARACTERISTICS** (continued)

( $C_{REF} = 0.1 \mu\text{F}$ ,  $V_{in} = 48 \text{ V}$ ,  $V_{UVLO} = 2 \text{ V}$ ,  $V_{CC} = 10 \text{ V}$ ,  $V_{CS} = 0.25 \text{ V}$ ,  $R_{DLMT} = 49.9 \text{ k}\Omega$ ,  $R_{DT} = 100 \text{ k}\Omega$ ,  $R_T = 15.4 \text{ k}\Omega$ , for typical values  $T_J = 25 \text{ }^\circ\text{C}$ , for min/max values,  $T_J$  is  $-40 \text{ }^\circ\text{C}$  to  $125 \text{ }^\circ\text{C}$ , unless otherwise noted)

Characteristics	Conditions	Symbol	Min	Typ	Max	Unit
-----------------	------------	--------	-----	-----	-----	------

## RAMP

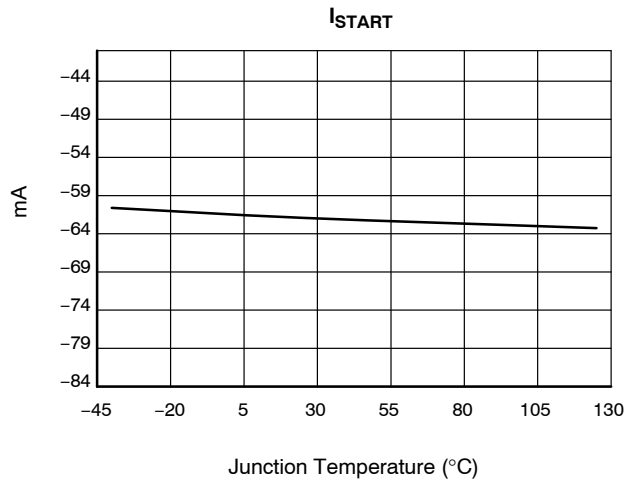
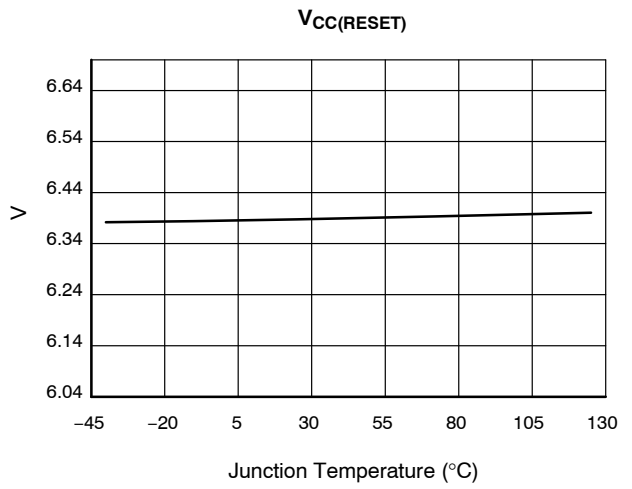
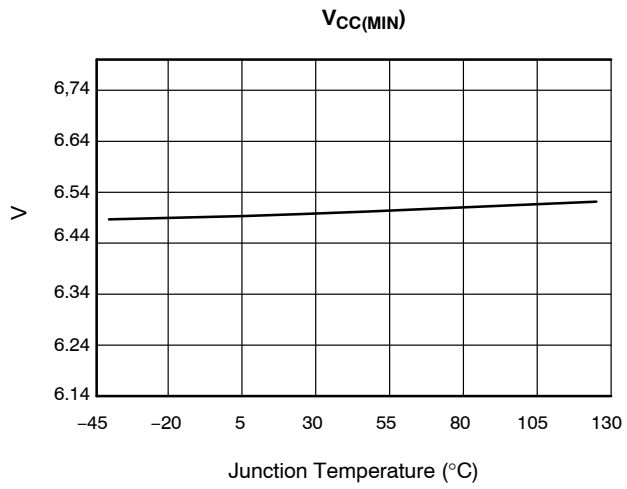
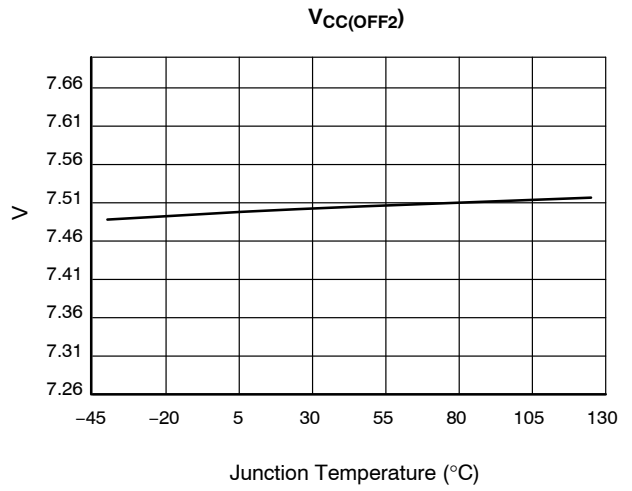
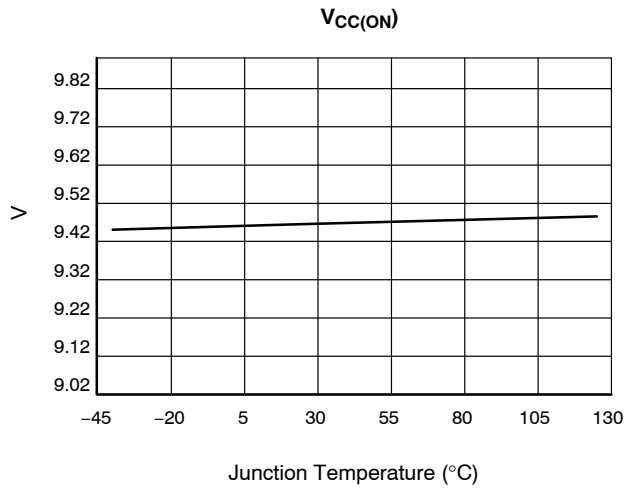
PWM Propagation Delay	Step $V_{RAMP}$ to 2 V to OUTM falling edge, $dV/dt = 10 \text{ V}/\mu\text{s}$	$t_{PWM}$		40	60	ns
PWM Offset Voltage		$V_{PWM(\text{offset})}$		1.35		V
Discharge Switch On Resistance	$V_{RAMP} = 100 \text{ mV}$	$R_{RAMP\text{switch}(\text{on})}$	–	–	25	$\Omega$
RAMP Input Leakage Current	$V_{RAMP} = 1.8 \text{ V}$	$I_{RAMP(\text{leak})}$	–	–	100	nA

## THERMAL SHUTDOWN

Thermal Shutdown	Temperature increasing		150	165	–	$^\circ\text{C}$
Thermal Shutdown Hysteresis	Temperature decreasing	$T_{SHDN(\text{HYS})}$	–	20	–	$^\circ\text{C}$

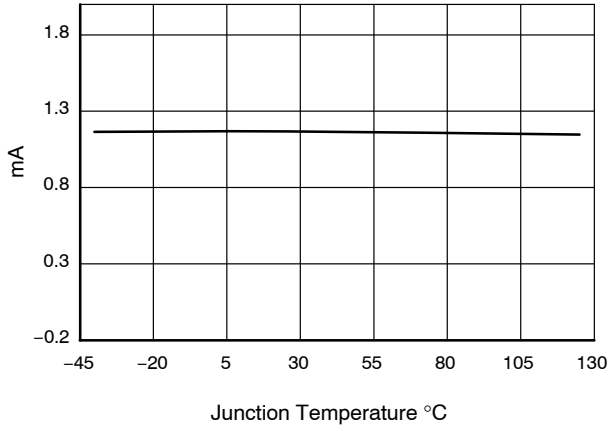
4. Guaranteed by Design.
5. Guaranteed by Design. Not Tested.

# NCP1566

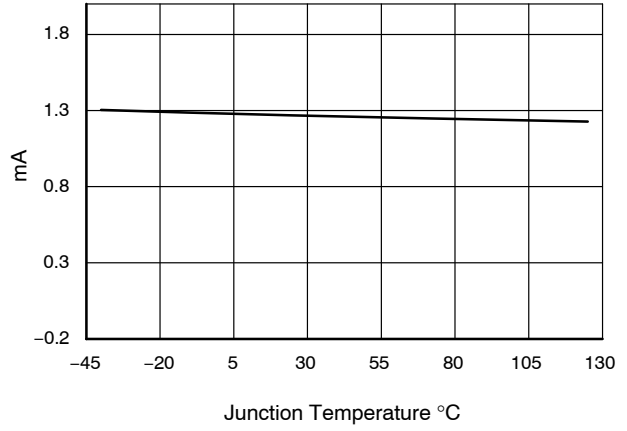


# NCP1566

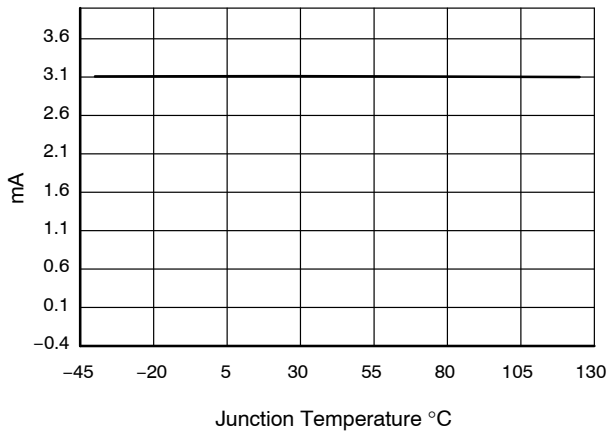
$I_{CC1}$  ( $V_{UVLO} = 0\text{ V}$ )



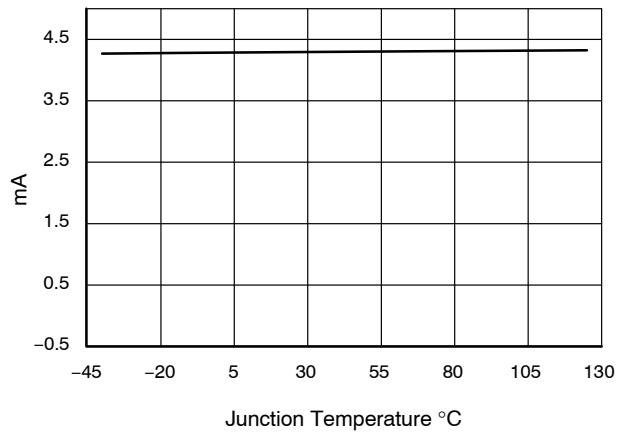
$I_{CC2}$  ( $V_{UVLO} = 1\text{ V}$ )



$I_{CC3}$  ( $I_{COMP} = 850\ \mu\text{A}$ )

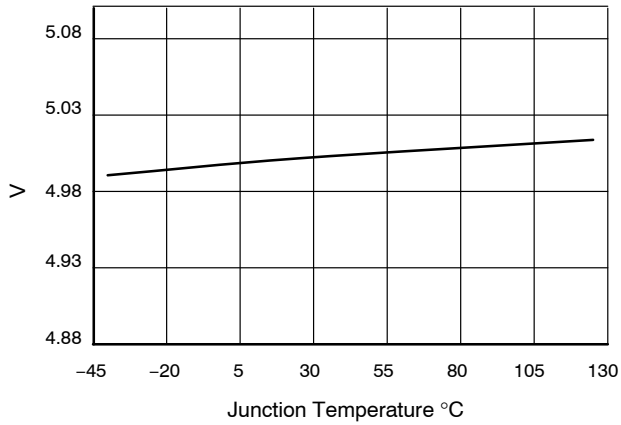


$I_{CC4}$  (200 kHz No Load)

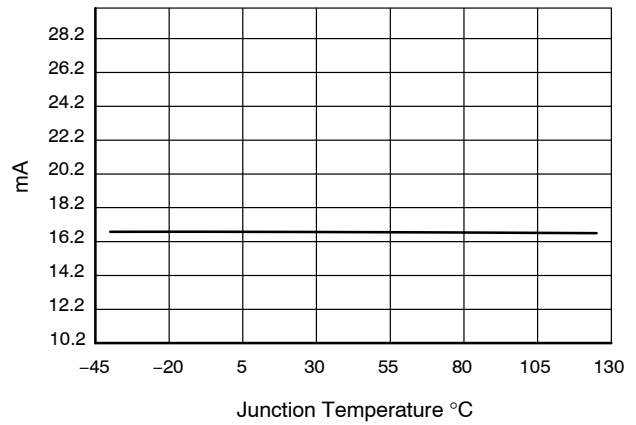


# NCP1566

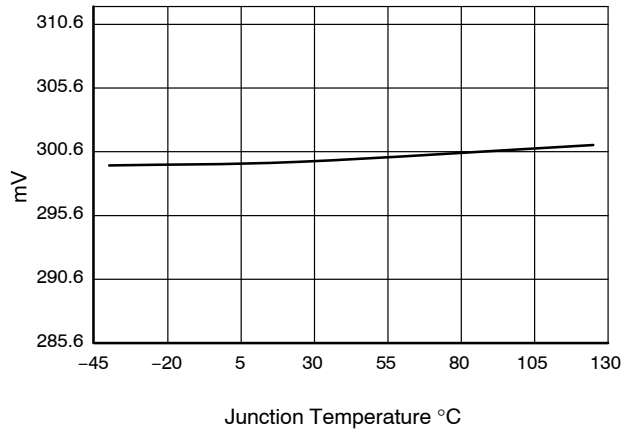
$V_{REF}$



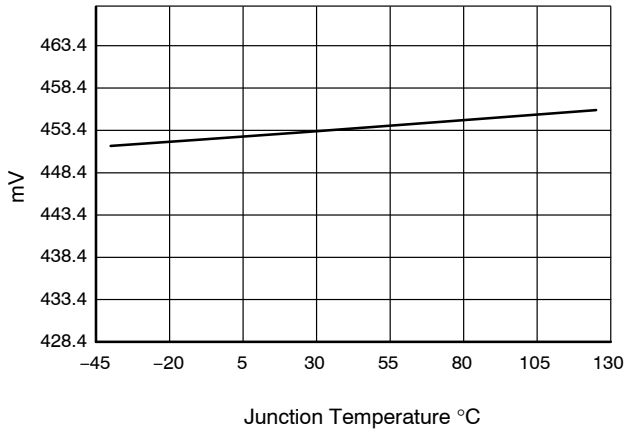
$I_{REF(Max)} V_{ref} = 4.75 V$



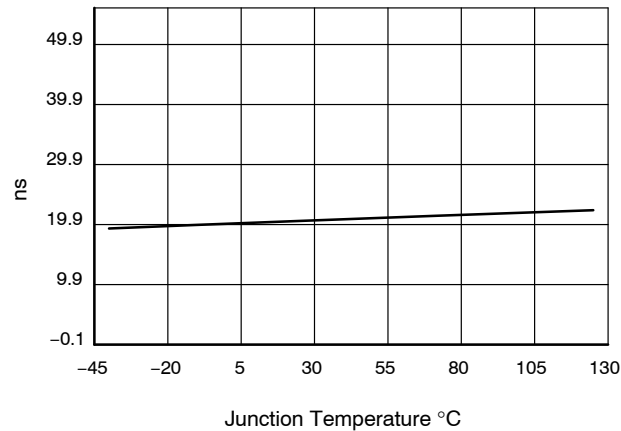
$V_{ILIM, AVE}$



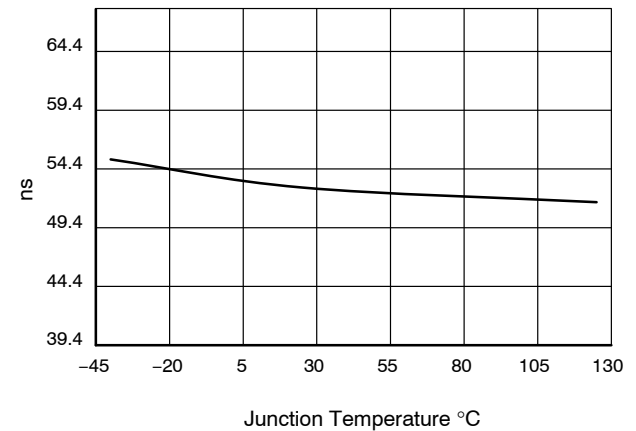
$V_{ILIM}$



$t_{ILIM(DELAY)}$

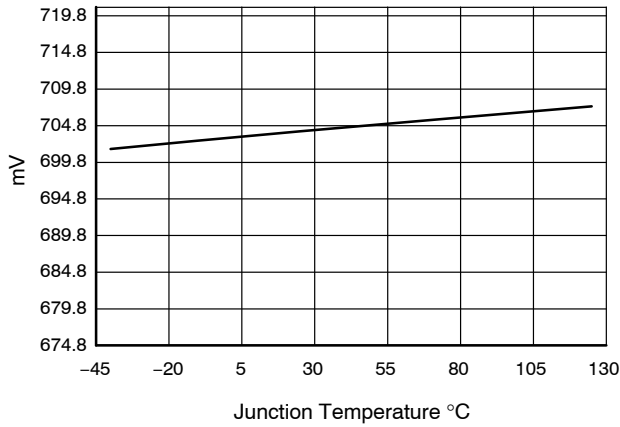


$t_{ILIM\_LEB}$

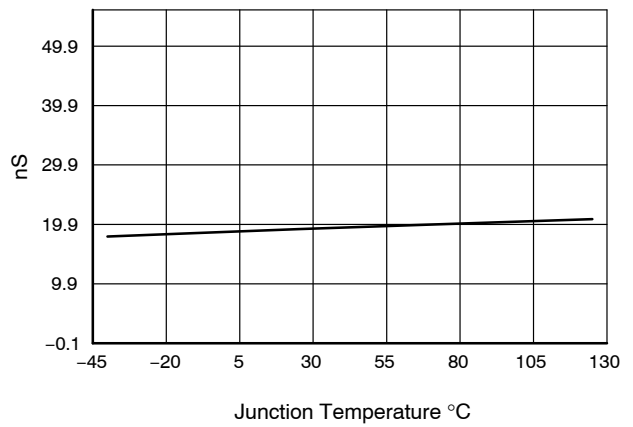


# NCP1566

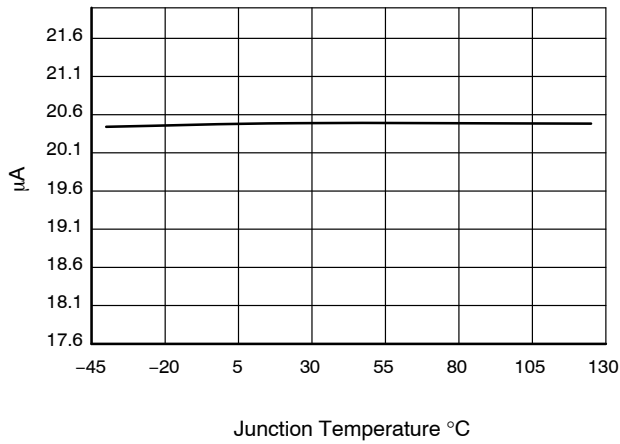
$V_{ILIMSC}$



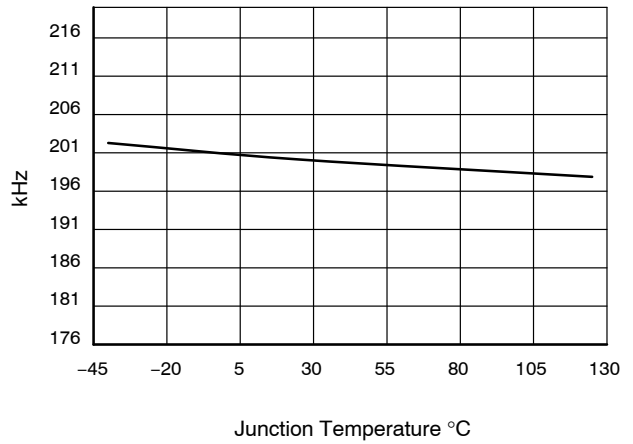
$t_{ILIMSC(DELAY)}$



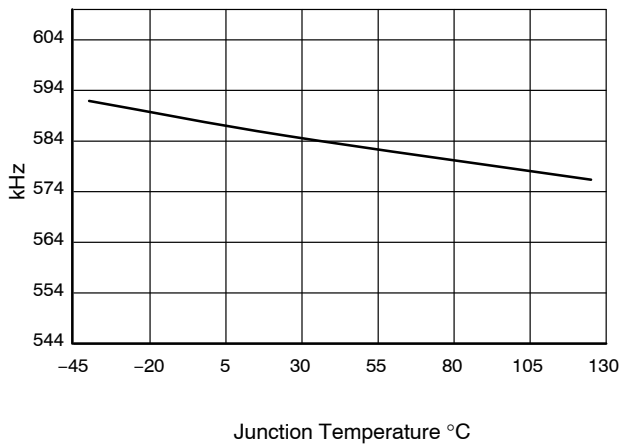
$I_{OTP}$



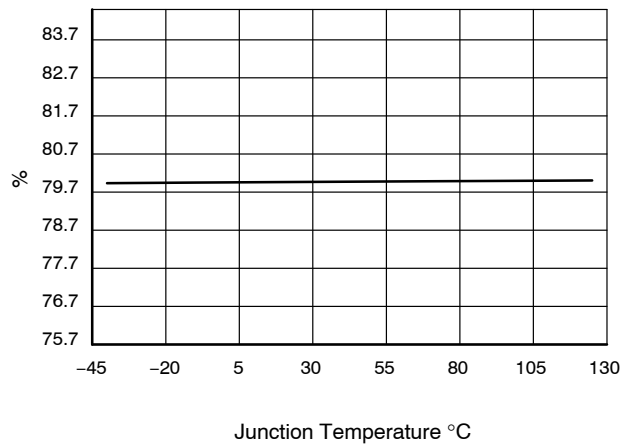
$F_{OSC1}$



$F_{OSC2}$



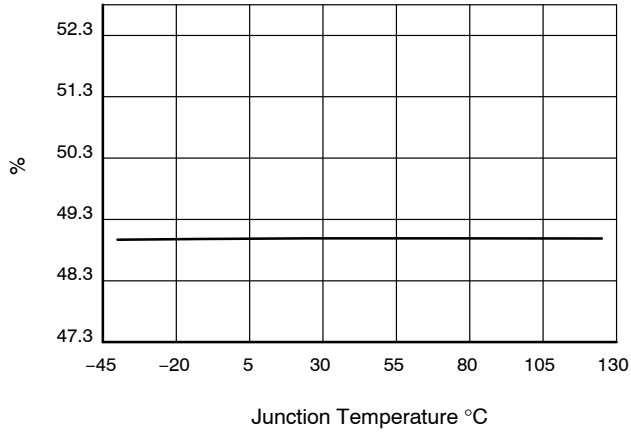
$D_{MAX1a(200\text{ kHz})}$



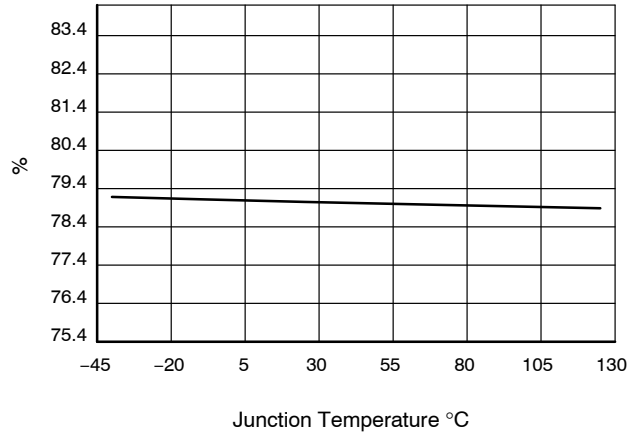


# NCP1566

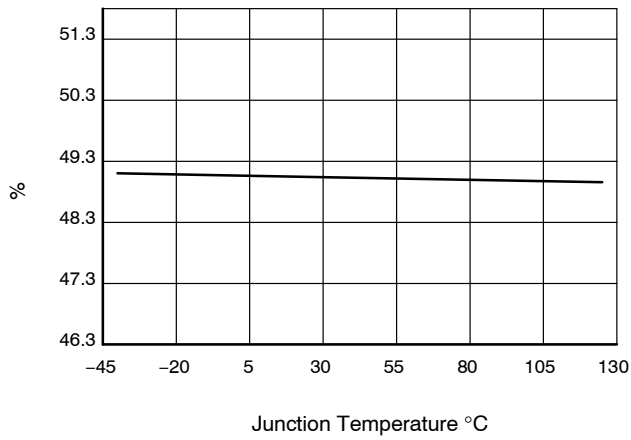
**D<sub>MAX2a</sub>(200 kHz)**



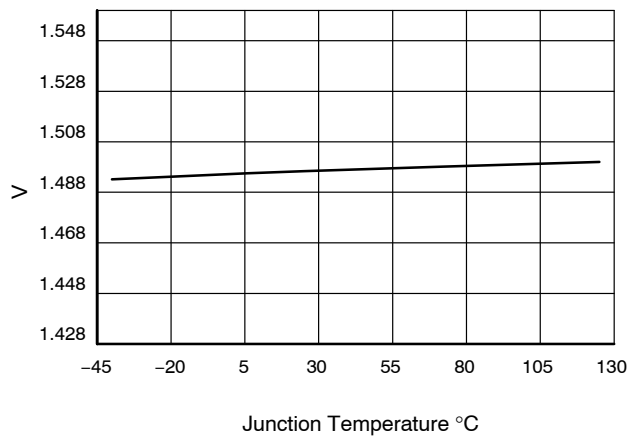
**D<sub>MAX1b</sub>(600 kHz)**



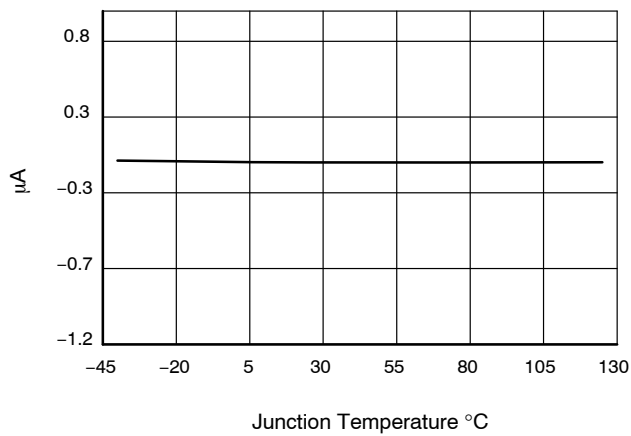
**D<sub>MAX2b</sub>(600 kHz)**



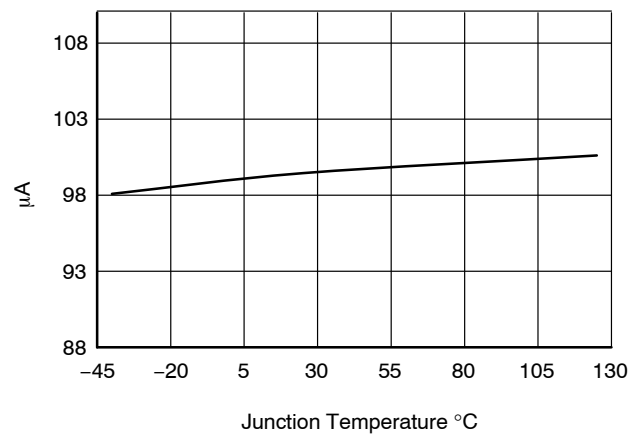
**V<sub>S</sub>Limit**



**CS<sub>OVP, LL</sub>**



**CS<sub>OVP, HL</sub>**



## Introduction

The NCP1566 is a highly-integrated dual-mode active clamp PWM controller targeting next-generation high-density, high-performance and small to medium power level isolated dc-dc converters for use in telecom and datacom applications. Operating up to 1 MHz, the part can be configured in either voltage mode control with input voltage feedforward or peak-current mode control. An adjustable adaptive overlap time between the main power and the active clamp MOSFETs optimizes system efficiency based on load conditions enabling higher efficiency and greater power density solutions.

This controller integrates all the necessary control and protection functions to implement an isolated active-clamp forward or asymmetric half-bridge converter with synchronous rectification. It integrates a high-voltage startup bias regulator directly connected to the dc input up to 120 V. The NCP1566 protection features include:

- A line undervoltage detector to stop operation in case the input rail collapses below a programmable level
- A two-threshold cycle-by-cycle current limit which allows to detect short circuit situations but also overload conditions on the dc-dc converter output
- A line voltage-dependent maximum duty ratio limit to safely operate the forward transformer
- A programmable over temperature protection using an external NTC sensor
- An over voltage protection (OVP) input in case of voltage runaway
- An over power protection (OPP) scheme which reduces the available power at high line
- An adjustable re-start time to force an auto-recovery hiccup mode in presence of the above faults

The part includes a dedicated pin  $\overline{\text{FLT/SD}}$  for signaling the presence of a fault condition. The pin can be used as an input to shutdown the controller using an external signal. The controller also features an adjustable restart time.

## High-Voltage Startup Circuit

The NCP1566 integrates a high voltage startup circuit accessible by the  $V_{\text{IN}}$  pin. The startup circuit is rated up to a maximum voltage of 120 V. The startup regulator consists of a constant current source that supplies current from a high-voltage rail to the capacitor on the  $V_{\text{CC}}$  pin ( $C_{V_{\text{CC}}}$ ). The startup circuit current ( $I_{\text{start}}$ ) is 40 mA minimum. The internal high voltage startup circuit eliminates the need for external startup components. In addition, this regulator reduces no-load power and increases the system efficiency as it uses negligible power in the normal operation mode.

The startup circuit is configured to operate in the so-called Dynamic Self-Supply (DSS) mode in certain conditions. In this DSS mode,  $V_{\text{CC}}$  hiccups between two levels (9.5 and 9.4 V typically) and self supplies the IC in lack of auxiliary supply. This mode can be briefly entered at startup (fault clearance delay) but it is mainly activated in a

fault state or in lack of auxiliary  $V_{\text{CC}}$ : in this mode, as no external supply is present, the DSS block permanently maintains the controller supply until the auxiliary  $V_{\text{CC}}$  comes back. This is the case for instance in deep DCM mode when the part skips cycle.  $V_{\text{CC}}$  can no longer be maintained (pulses are too narrow) and  $V_{\text{CC}}$  collapses until it hits 7.5 V. At this point, the DSS takes over.

It is important to realize that the average current absorbed from the high-voltage rail  $V_{\text{IN}}$  in DSS mode is roughly the average current  $I_{\text{STARTUP,AVG}}$  self-supplying the chip. As such, the power dissipated by the chip in DSS mode is  $V_{\text{IN}} \times I_{\text{STARTUP,AVG}}$  and can be quite high for high input voltages. For this reason, it is not advised to enter in DSS mode when the circuit operates at its maximum current consumption. That being said, if the DSS mode is temporarily entered while the controller skips cycles (in a no-load situation), this is fine as long as the junction temperature remains within the data-sheet upper limit. Please make sure power dissipation in this mode always respects the maximum power dissipation capability of the controller. If the controller is supposed to operate along its entire input voltage range, DSS mode operation must be prevented.

A typical startup sequence commences with the charge of the  $V_{\text{CC}}$  capacitor up to the startup threshold  $V_{\text{CC(on)}}$ , 9.5 V typically. When  $V_{\text{CC}}$  crosses 7.5 V, the reference pin delivers its 5 V nominal voltage.

Once this threshold is reached, the current source turns off and the part starts its own internal initialization: it resets all registers, charges the soft-start capacitor above 0.5 V, makes sure all the fault inputs are cleared ( $\overline{\text{FLT/SD}}$  is high, the Over Temperature Protection (OTP) input is low and the input voltage sensed by the UVLO input is within acceptable limits). As the  $V_{\text{CC}}$  capacitor is alone to supply the controller during this startup time, the level across its terminals falls and eventually reaches  $V_{\text{CC(off1)}}$ , typically 9.4 V, especially if some faults are still present at startup. At this point, the current source turns back on until  $V_{\text{CC}}$  reaches  $V_{\text{CC(on)}}$ , again: a hiccup takes place and lasts until the part is ready to switch, i.e. all faults are cleared. Once internal flags are ready, an extra delay is added,  $t_{\text{delay(start)}}$ , before the part is actually enabled and switches. After the enable signal has been asserted, the  $V_{\text{CC}}$  UVLO level drops to  $V_{\text{CC(off2)}}$ , typically 7.5 V

During the initialization sequence, the main power MOSFET is not switching, OUTM is low. On the opposite, to allow the immediate availability of the low-side P-channel active clamp switch, its dedicated output OUTA is raised to  $V_{\text{CC}}$  when the 9.5V threshold is reached. This is to allow the pre-charge of the P-channel charge pump capacitor and makes it ready for operation.

While the part is enabled, the voltage on the soft-start (SS) capacitor is slowly rising up and when it crosses the internal 1.35 V offset, OUTM starts to produce low duty ratio pulses, driving the forward converter main power MOSFET. Please

note that while the internal enable flag is not asserted (during the initialization sequence or during a fault), the voltage on the SS pin is clamped to 0.85 V, naturally putting the part in ready-to-pulse mode whenever enable gets asserted.

At the end of the initialization sequence, the controller stops the high-voltage startup source and  $V_{CC}$  drops as the auxiliary voltage did not build up yet. Before reaching the lower regulation threshold,  $V_{CC(off2)}$ , typically 7.5 V, the auxiliary winding must have appeared to take over the controller supply. You will size the  $V_{CC}$  capacitor in that way. If for any reason the auxiliary winding did not build up before  $V_{CC}$  reaches 7.5 V, the current source turns back on again to maintain the controller supply in a kind of non-regulated hysteretic mode. In this DSS mode, the current capability is 40 mA at minimum and you have to make sure the internal IC consumption (including driving

current) is well below 40 mA. During this mode, the average current absorbed by the  $V_{IN}$  pin is roughly the average current consumed by the part. Care must be taken to ensure that a low current is absorbed while in the upper input voltage range. Failure to respect this fact will damage the controller by thermal runaway.

In case an accidental overload of the DSS would occur (you consume too much on the  $V_{CC}$  pin and the DSS cannot maintain  $V_{CC}$ ), the voltage would drop to  $V_{CC(MIN)}$ , typically 6.5 V. In this mode, the reference voltage is turned off and the part restarts after a start-up sequence. When  $V_{CC}$  crosses 7.5 V again, the reference voltage is turned back on. A typical successful start-up sequence appears in Figure 4 while it fails in Figure 5 as the current absorbed from the  $V_{CC}$  is too high. In this case, the part restarts again for another attempt.

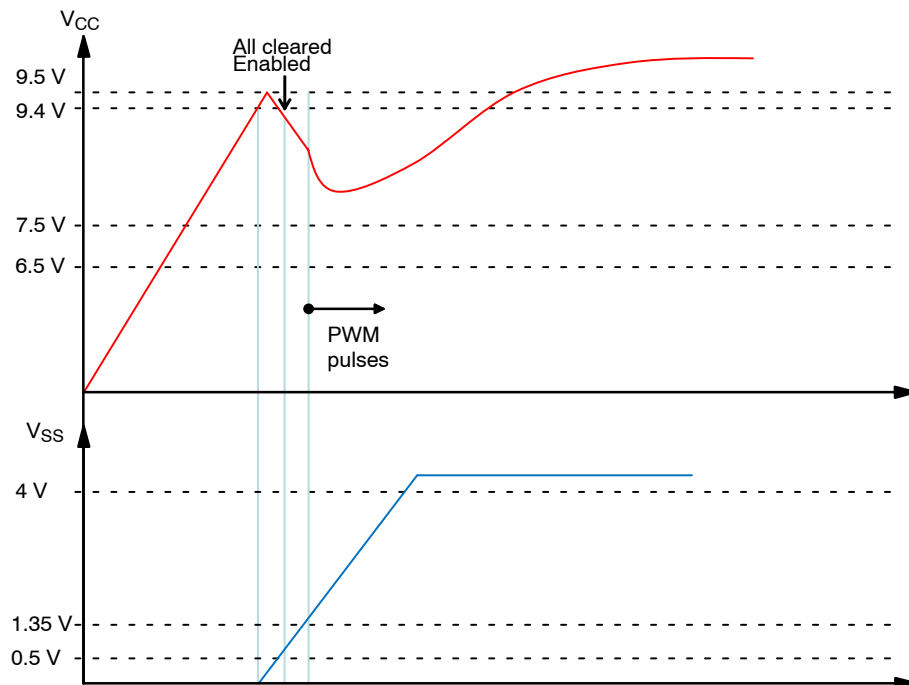
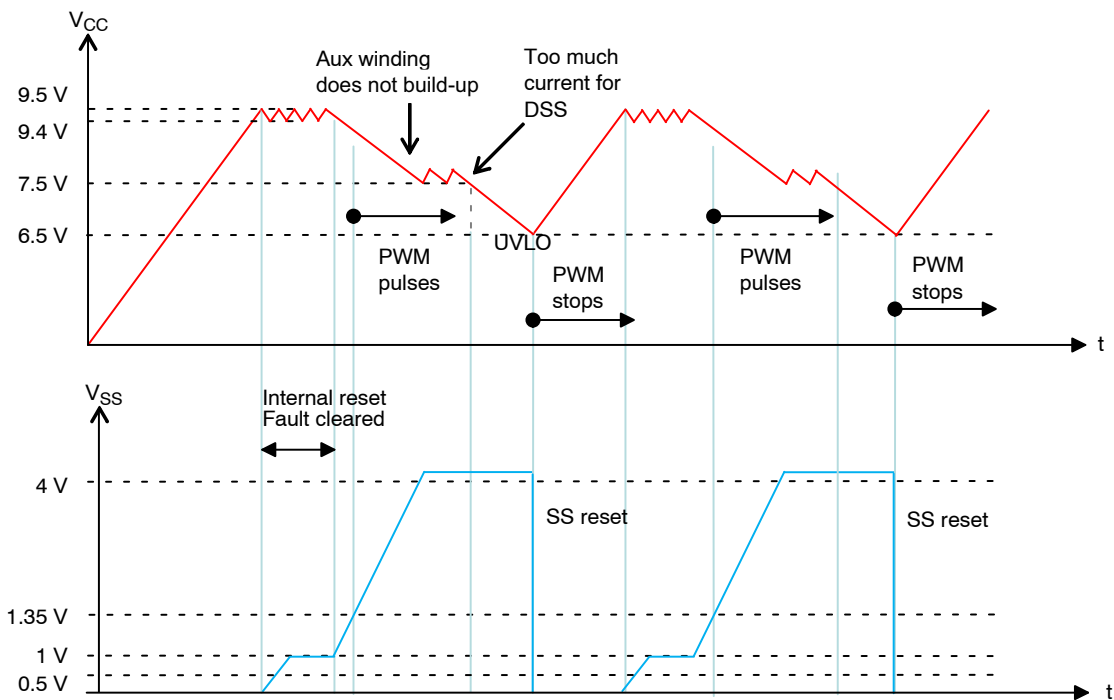
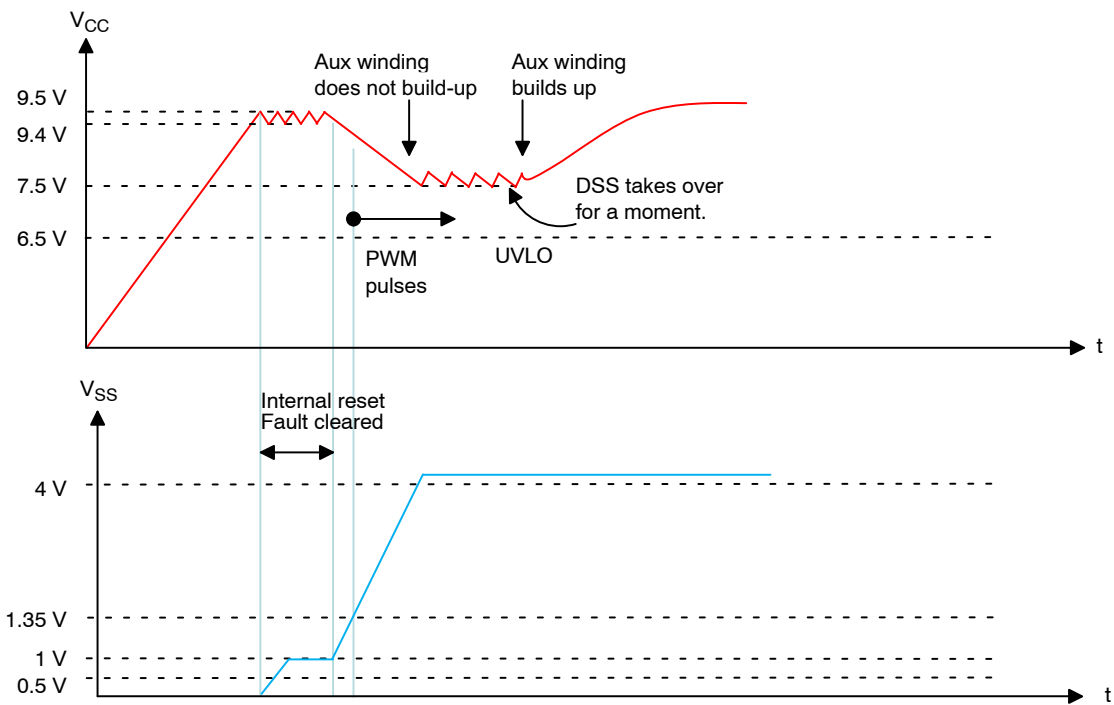


Figure 4. A Typical Startup Sequence in which the Auxiliary Voltage Builds Up in Time

## NCP1566



**Figure 5. In this Figure, the Auxiliary Voltage did not Build Up in Time, Aborting the Startup Sequence**



**Figure 6. In this Figure, the V<sub>CC</sub> Capacitor is Small and is Getting Help from the DSS until the Auxiliary Voltage Eventually Takes Off**

The V<sub>CC</sub> capacitor must be sized such that a V<sub>CC</sub> voltage greater than V<sub>CC(off2)</sub> is maintained while the auxiliary supply voltage is building up. However, if the capacitance has adversely dropped because of extreme temperatures conditions for instance, it can happen that V<sub>CC</sub> drops too fast

and the DSS is activated. This is what Figure 6 shows. DSS takes over until V<sub>CC</sub> aux builds up. Again, care must be taken to ensure that part power dissipation remains within acceptable limits.

The operating IC bias current,  $I_{CC4}$ , and gate charge load at the drive outputs must be considered to correctly size  $CV_{CC}$ . To size this capacitor, you must account for the MOSFET drive current. The average current absorbed from the  $V_{CC}$  capacitor at startup depends on the switching frequency  $F_{SW}$  and the total gate charge  $Q_G$  as follows:

$$I_{DRV} = F_{SW}Q_G \quad (\text{eq. 1})$$

Assume we picked a 40 nC gate-charge MOSFET operated at 200 kHz. The average current absorbed by the driver will be:

$$I_{DRV} = 200k \times 40n = 8 \text{ mA} \quad (\text{eq. 2})$$

The capacitor value depends on several parameters:

- The allowed voltage drop before the controller activates the DSS at 7.5 V. This drop is 2 V, from 9.5 to 7.5 V
- The current sourced by the capacitor while the auxiliary winding is building up. It is made of (1) plus the

internal controller consumption,  $I_{CC4}$  (4 mA at 200 kHz)

- The time taken by the auxiliary winding to build up is more difficult to assess given the numerous parameters at play: primary-side current limit, soft-start duration, output capacitance and so on. Simulations in worst-case give us an estimated time of 5 ms for the auxiliary supply to reach 8 V

With these parameters on hand, the  $V_{CC}$  capacitor can be evaluated:

$$CV_{CC} \geq \frac{(I_{DRV} + I_{CC4}) \times t_{startup}}{\Delta V} = \frac{12 \text{ m} \times 1 \text{ m}}{2} = 6 \mu\text{F} \quad (\text{eq. 3})$$

A 10  $\mu\text{F}$  capacitor is a possible choice. Figure 7 illustrates a typical startup sequence.

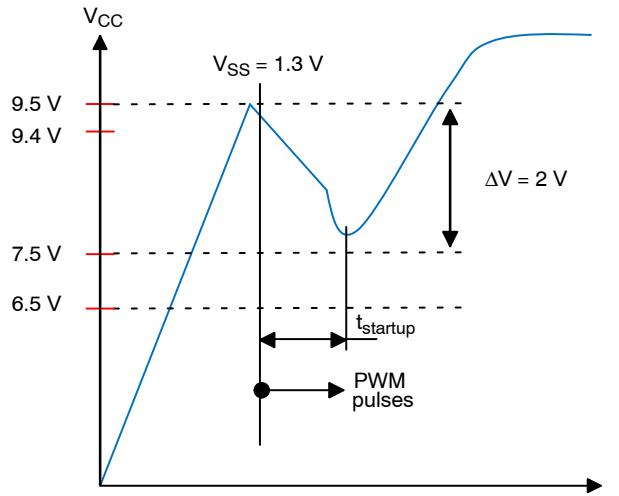


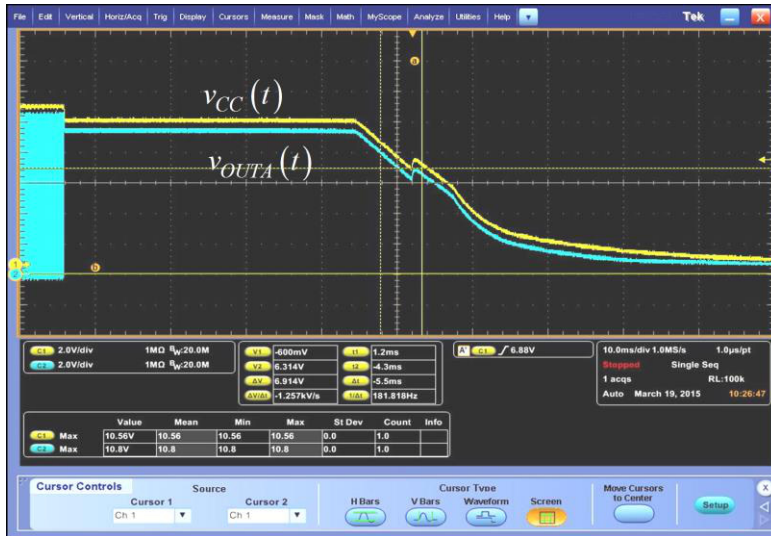
Figure 7. This Sketch Shows how the  $V_{CC}$  Capacitor can be Sized to Avoid Tripping the DSS Circuit at Start Up

If power dissipation is under control during start up, you can reduce the capacitor value given by (3) and implement the start-up scheme shown in Figure 6.

**Active-Clamp MOSFET Turn-off Sequence**

The NCP1566 drives an external P-type MOSFET through a capacitive link via the OUTA pin. During the

power off sequence, the OUTA pin will remain high and follow the  $V_{CC}$  as it slowly discharges. This is to avoid observing a glitch in the output voltage if OUTA would go low at the  $V_{CC}$  under-voltage lockout point. Figure 8 shows how the output evolves with time when shutting off the controller.



**Figure 8. When OUTA Gently Follows  $V_{CC}$  at Turn Off, the P-channel MOSFET no Longer Conducts at the  $V_{CC}$  UVLO and the Output Voltage is Glitch-free**

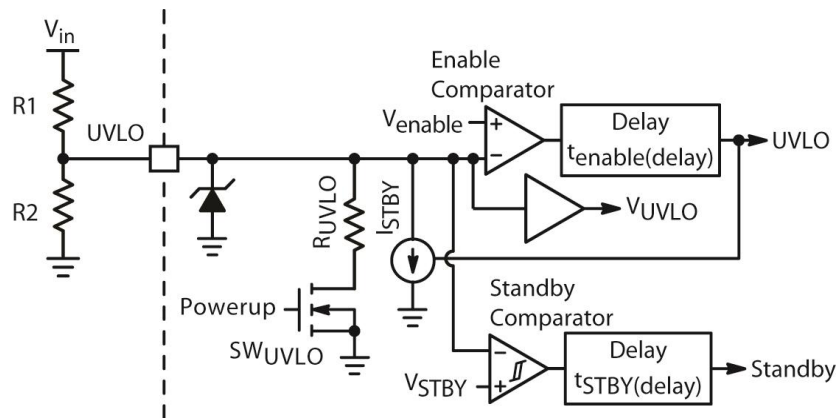
**Line Undervoltage Detector**

The NCP1566 monitors the line voltage and enables the controller when the input voltage is within the required range. The input voltage is sampled using a resistor divider and applied to the UVLO pin. A small bypass capacitor is recommended for noise filtering. The UVLO input can be used as an enable/disable function. Figure 9 shows the UVLO detector architecture.

By monitoring the voltage on the UVLO pin, the controller can be put in three different modes: disable, standby and enable. The controller enters standby mode once the UVLO voltage,  $V_{UVLO}$ , exceeds the standby threshold,  $V_{STBY}$ , typically 0.4 V. The standby mode features a 100 mV hysteresis,  $V_{STBY(HYS)}$ , which, added to a 1.5  $\mu$ s delay, provides adequate noise immunity. In standby mode,  $V_{CC}$  hiccups between 9.5 and 9.4 V, the reference voltage is maintained. The  $FLT/SD$  pin is pulled low to signal the UVLO. Figure 10 illustrates an input voltage drop

that keeps  $V_{UVLO}$  above 0.4 V, putting the part into standby mode.

The controller transitions into the enable mode once  $V_{UVLO}$  exceeds  $V_{enable}$ , typically 1.25 V. Once in enable mode, the controller is allowed to start if no other faults are present. An internal pull-down current source,  $I_{STBY}$ , provides hysteresis. It is typically 20  $\mu$ A.  $I_{STBY}$  turns off once the controller is enabled, allowing  $V_{UVLO}$  to rise above  $V_{enable}$  by the hysteresis level set by  $R_1$ . The controller is disabled if  $V_{UVLO}$  falls below  $V_{ENABLE}$ , at which point  $I_{STBY}$  is re-enabled creating a voltage drop on the UVLO pin. A maximum delay of 1  $\mu$ s,  $t_{ENABLE(delay)}$ , on the Enable Comparator provides noise immunity.  $I_{STBY}$  is disabled while  $V_{CC}$  is below  $V_{CC(off2)}$  during power up or if  $V_{CC}$  falls below  $V_{CC(reset)}$  after  $I_{STBY}$  has been enabled. Figure 11 shows how the part enters the disable mode as the input voltage collapses. It restarts 1 second later when the input voltage comes back again.



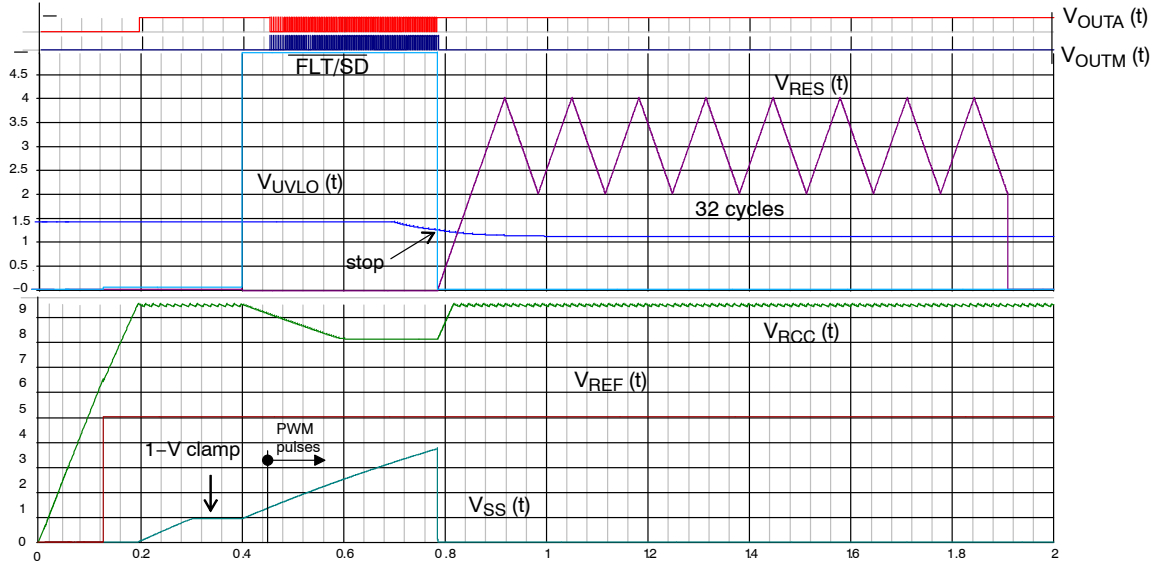
**Figure 9. UVLO Block Diagram**

The resistor divider is selected such that  $V_{UVLO}$  exceeds  $V_{enable}$  at the desired input voltage. Equation 4 is used to calculate the startup voltage level,  $V_{IN(start)}$ . Equation 5 is used to calculate the minimum operating voltage,  $V_{IN(min)}$ .

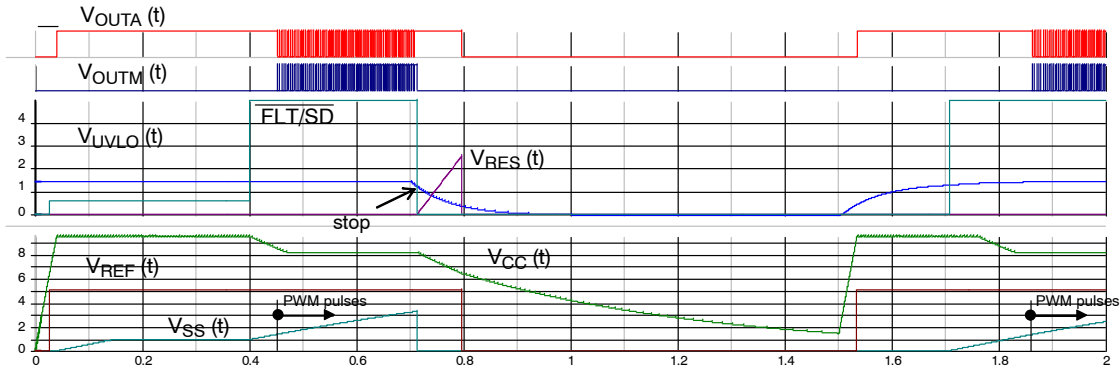
$$V_{in(start)} = V_{enable} \left( \frac{R_1 + R_2}{R_2} \right) + R_1 I_{STBY} \quad (\text{eq. 4})$$

$$V_{in(min)} = V_{enable} \left( \frac{R_1 + R_2}{R_2} \right) \quad (\text{eq. 5})$$

A pull-down transistor and resistor combination,  $SW_{UVLO}$  and  $R_{UVLO}$ , ensure  $V_{UVLO}$  is below  $V_{ENABLE}$  while  $I_{STBY}$  is disabled. This prevents the controller from incorrectly turning on while  $V_{UVLO}$  settles.



**Figure 10. The Input Voltage is going Down and Puts the Part in Standby Mode. It cannot Restart Prior to Cycling the RES Capacitor 32 Times**



**Figure 11. The Part Starts Up while  $V_{IN}$  is ok.  $V_{IN}$  now Decreases to 0, Shutting off the Part.  $V_{IN}$  is Back Again Shortly After, Restarting the Part.**

The UVLO input is also used to adjust an Over Power Protection (OPP) current source. In a forward converter affected by magnetizing current and propagation delay, the maximum output current the converter can deliver at the maximum input voltage depends on the line input level: power is maximum at high line. To prevent output current runaway, the NCP1566 includes the possibility to generate a voltage offset on the CS pin proportional to the level sensed by the UVLO pin. By injecting a current out of the CS pin, the designer can insert a resistance in series with the sensed voltage and calibrate the offset to his exact needs at the highest input level. At the lowest input voltage, e.g. 36 V

( $V_{UVLO} = 1.4 \text{ V}$ ), the current generator delivers 0 A and linearly increases to a maximum of 100  $\mu\text{A}$  when  $V_{UVLO}$  reaches 2.8 V.

**Soft-start**

Soft-start slowly increases the duty ratio during power up, allowing the controller to gradually reach steady-state operation by slowly increasing the output voltage while reducing startup circuit stress. The duty ratio is controlled by comparing the SS pin voltage,  $V_{SS}$ , to the VSCLAMP pin voltage,  $V_{SCLAMP}$ .  $V_{SCLAMP}$  is level-shifted by 1.35 V

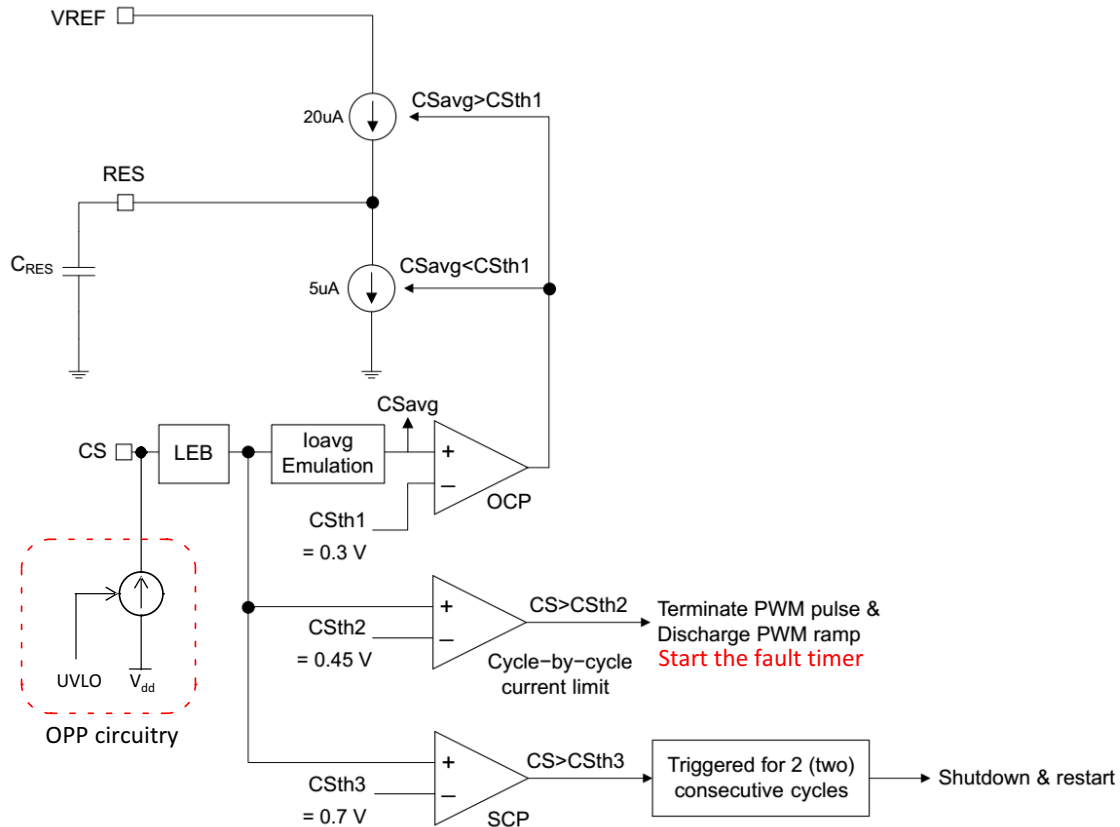
before comparing it to  $V_{SS}$ . This ensures a minimum duty ratio of 0%.

$V_{SS}$  is slowly increased by charging the soft-start capacitor with a fixed current source,  $I_{SS}$ , typically 20  $\mu\text{A}$ . OUTM is disabled once the peak voltage of  $V_{SCLAMP}$  exceeds  $V_{SS}$ . The soft-start pin is internally grounded while a fault is present.

**Current Sense**

A signal proportional to the current across the main switch is applied to the CS pin. The current sense information is

used to calculate the average primary current to modulate the drivers overlap time and implement overcurrent protection (OCP). It is also used for cycle by cycle peak current limit control and detecting a short circuit condition. Figure 12 shows the block diagram of the current limit circuitry.



**Figure 12. The Current Limit Circuitry Implements Three Distinct Comparators.**

The controller can identify three different types of overcurrent conditions:

- Regular current pulse: in a forward converter normal operation, the primary current is made of the reflected inductor current to which adds the primary magnetizing current. When the voltage image of this current exceeds the feedback setpoint (in current mode) or the maximum sense voltage (0.45 V typical in voltage mode), the current pulse is terminated. When this comparator trips, a 150 ms fault timer starts counting and shuts the controller down upon completion if the overload remains present
- Short-circuit pulse: if an abnormally-high current pulse is detected (0.7 V) for two consecutive clockpulses, the part shuts off and goes into restart mode. This can happen during a winding short circuit or in presence of a defective component in the secondary side
- Overcurrent condition: in case the converter’s output is overloaded, the average input current will increase, reflecting the average input power increase. The NCP1566 averages the primary-side current sense information and when it exceeds a certain value, a shutdown delay starts. When this delay elapses, the part shuts off and goes into restart mode



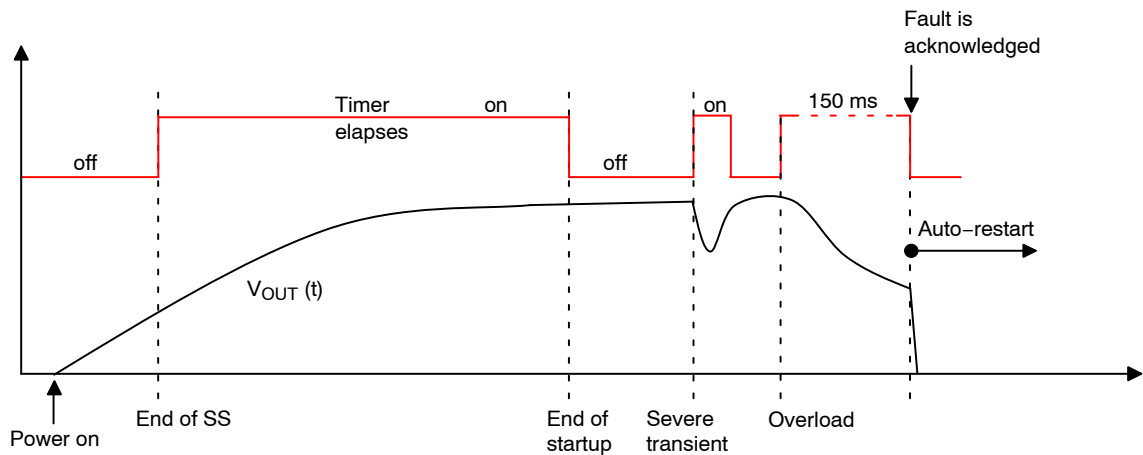


Figure 13. A Fault Timer Forces Auto-restart when the Cycle-by-cycle Current Limit is Tripped for 150 ms

An Internal leading edge blanking (LEB) circuitry masks the current sense information before applying it to the current monitoring circuitry. The LEB prevents unwanted noise from terminating the drive pulses prematurely. It is recommended to place a small  $RC$  filter close to the CS pin to suppress noise. The LEB period begins once  $V_{OUTM}$  reaches approximately 2 V. To improve the pin noise immunity, an internal switch,  $R_{CS(switch)}$ , discharges and holds the CS pin low at the conclusion of every cycle. The switch is enabled while the main driver is low. The maximum resistance of the switch, is 20  $\Omega$ .

The average information is reconstructed from the CS information and used to determine the OCP shutdown delay. Once the average current information,  $C_{S(AVG)}$ , exceeds  $V_{ILIM(AVE)}$ , typically 0.3 V, the 5  $\mu A$  pull-down current source,  $I_{RES(SNK)}$ , is disabled and the 20  $\mu A$  pull-up current source,  $I_{RES(SRC1)}$ , is enabled to charge the RES capacitor. The average current information is blanked by the  $t_{ILIMAVE(LEB)}$  timer, typically 30 ns. As long as an overcurrent is sensed, the capacitor connected to the RES pin continues its charge. If the overcurrent disappears, the 20  $\mu A$  source stops and the capacitor discharges with the 5  $\mu A$  pull-down source. If the overcurrent comes back again, the 20  $\mu A$  source takes over and lifts the capacitor voltage towards the 1-V threshold. When it is reached, the part stops all operations and goes into restart mode: 32 up/down voltage cycles between 2/4 V are counted on the RES pin before an attempt to restart occurs.

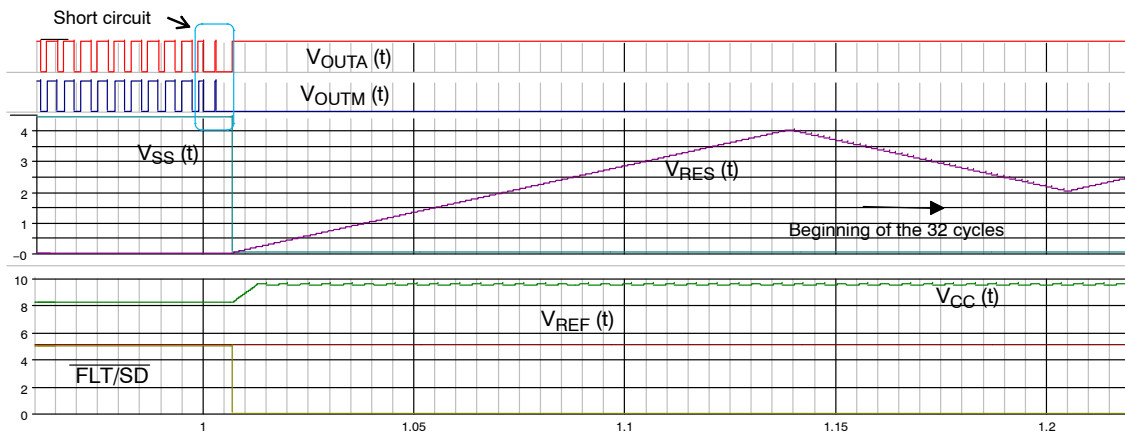
Cycle by cycle peak current limit protection is implemented using the cycle-by-cycle comparator. It terminates the drive pulse if the CS voltage exceeds  $V_{ILIM}$ , typically 0.45 V. The cycle-by-cycle current information is

blanked by the  $t_{ILIM(LEB)}$  timer, typically 55 ns. The cycle-by-cycle comparator propagation delay,  $t_{ILIM(delay)}$ , is typically 40 ns. Cycle-by-cycle peak current limit protection is available in all operating modes. When the 0.45 V comparator toggles high, an internal error flag is asserted and a 150 ms timer starts elapsing. As long as the 0.45 V comparator terminates a switching cycle, the counter keeps advancing. When the 0.45 V no longer trips (meaning the overload is momentarily gone), the counter counts backwards until a) it definitively resets or b) a new overload comes back and brings it back up counting until it completely elapses. When the counter has reached 150 ms, all pulses are immediately stopped and an auto-restart sequence is initiated. Figure 13 describes a typical fault sequence.

The short circuit comparator protects the controller during a winding short circuit condition for instance. The comparator terminates the drive pulse if the CS voltage exceeds  $V_{ILIM(SC)}$ , typically 0.7 V. The short circuit current information is blanked by the  $t_{ILIMSC(LEB)}$  timer, typically 30 ns. The short circuit comparator propagation delay,  $t_{ILIMSC(delay)}$ , is typically 40 ns. Two consecutive short circuit conditions cause the controller to enter restart mode without a shutdown delay or shutdown pulse.

Figure 14 shows simulation waveforms during a short circuit fault. Once the overcurrent fault is detected the main driver operates at minimum on time. At the third internal clock cycle, the short circuit condition is confirmed and a restart sequence is initiated. In restart mode,  $V_{CC}$  is hiccupping between  $V_{CC(on)}$  and  $V_{CC(off1)}$  and the soft-start capacitor is discharged.

## NCP1566



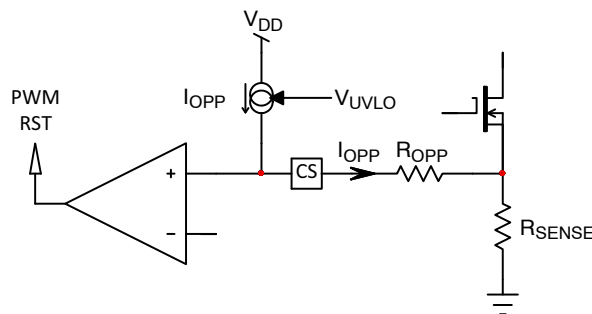
**Figure 14. A Short Circuit Occurs and Shuts Down the Part after two Consecutive Pulses**

The current sense signal is generated using either a current sense resistor or current sense transformer. In both instances, good PCB layout practices are required to ensure correct operation of the current sense detection circuitry. A few are listed below:

1. The current sense filter capacitor must be placed as close as possible to the IC and referenced to the AGND pin
2. When using a current sense transformer both leads of the transformer secondary should be routed to the filter network located very close to the IC
3. Low current signals should all be connected to the AGND net. AGND should connect to the power ground at the return terminal of the input capacitor
4. If using a current sense resistor, the return path should be connected to PGND and not AGND

### Over Power Protection

The maximum continuous output current delivered by a CCM-operated forward converter depends on the maximum peak current authorized in the primary side. However, some parameters such as input voltage, propagation delay and magnetizing current can have an impact on the maximum available current. In some designs, the maximum current limit at high line (72 V) can be larger than that at low line (36 V) and problems can arise from this discrepancy. To prevent or limit this overpower phenomenon, a current source is connected to the CS pin and sources current out of the pin. This is what is shown in Figure 15.



**Figure 15. A Current Source Proportional to the Voltage on the UVLO Pin Creates a Variable Voltage Offset on the Current-sense Pin**

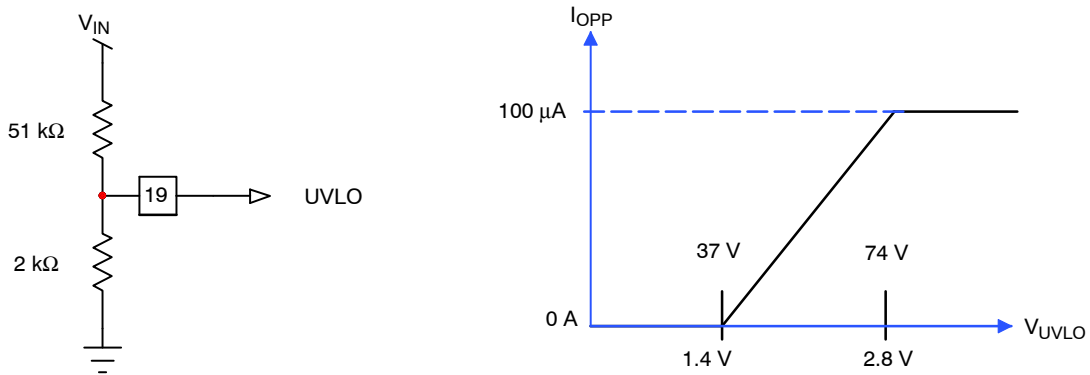


Figure 16. The Voltage Offset on the CS Pin is Made Proportional to the UVLO Pin Level

In Figure 16, you can see the curve linking the current source value and the UVLO level. Using the left-side resistor values, for a 37 V input voltage, the offset current is 0 A and there is no overpower: the converter delivers its full power. As the UVLO voltage increases, the offset current also grows and builds an offset on the CS pin. This offset is maximal for a 74 V input for the selected resistors.

The maximum output current an active-clamp forward converter can deliver is difficult to analytically predict as several parameters play a role there. If experimentally you determine that adding a 48 mV offset on the CS pin trips the protection at a 72 V input, then insert a resistor whose value is  $48 \text{ m} / 100 \mu = 480 \Omega$ . In case you do not want any offset,

just drive the CS pin with a low resistance and the offset disappears.

**Over Voltage Protection**

The circuit includes an auto-recovery over-voltage protection pin. You have to bias the pin above 1.25 V typically to immediately stop switching pulses and force an auto-restart mode. At that moment, a 20 μA current source activates and lifts the pin to provide hysteresis. At the end of the auto-restart mode, the controller monitors the OVP pin and if its voltage has gone back below 1.25 V, the IC resumes operations. Figure 17 shows the internal configuration.

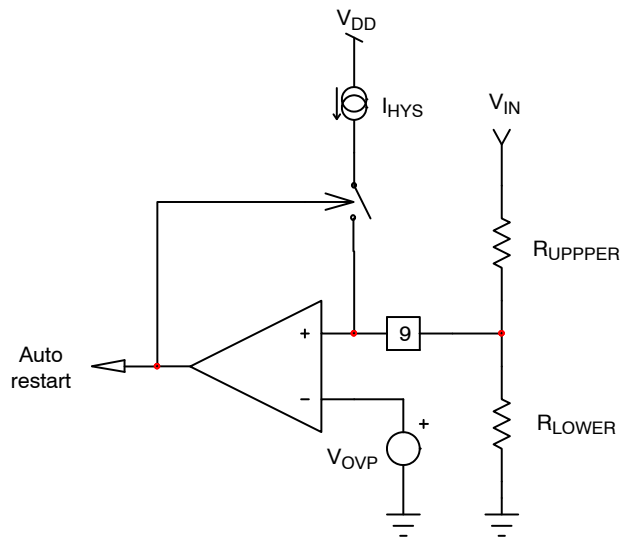


Figure 17. When the OVP Pin is Lifted above 1.25 V, the IC Immediately Enters the Auto-restart Mode

When the current source is silent, the comparator will satisfy the following expression for an input voltage  $V_{IN1}$ :

$$V_{OVP} = V_{in1} \frac{R_{lower}}{R_{lower} + R_{upper}} \quad (\text{eq. 6})$$

When the current source activates, we can use superposition to obtain the second input level  $V_{IN2}$  at which the fault is released:

$$V_{OVP} = V_{in2} \frac{R_{lower}}{R_{lower} + R_{upper}} + I_{HYS}(R_{lower} \parallel T_{upper}) \quad (\text{eq. 7})$$

Assume you monitor the input voltage and want to cutoff pulses at  $V_{IN1} = 80 \text{ V}$  and restart for  $V_{IN2} = 70 \text{ V}$ . You calculate the resistances as follows:

$$R_{upper} = \frac{V_{in1} - V_{in2}}{I_{HYS}} = \frac{80 - 70}{20 \mu} = 500 \text{ k}\Omega \quad (\text{eq. 8})$$

$$R_{\text{lower}} = R_{\text{upper}} \frac{V_{\text{OVP}}}{V_{\text{in1}} - V_{\text{in2}}} = 500 \text{ k} \frac{1.25}{80 - 70} = 7.94 \text{ k}\Omega \text{ (eq. 9)}$$

A small capacitor can be added between pin 9 and ground to improve noise immunity.

**Volt-Second Clamp**

A volt-second clamp is an important safety feature in any forward converter, especially active clamp type where the duty ratio excursion can easily exceed 50%. A clamp helps preventing magnetizing current runaway and transformer saturation in faulty situations. An external RC divider

( $R_{\text{VSCLAMP}}-C_{\text{VSCLAMP}}$ ) from the input line generates the VSCLAMP ramp to control the volt-second limit of the converter. The slope of the ramp is proportional to the input voltage and controls the maximum on-time during a line voltage transition. The ramp prevents from exceeding the maximum volt-second of the transformer by clamping the duty ratio excursion during the transient input. As NCP1566 can be configured to operate in both voltage mode and peak current mode control, Figure 18 and Figure 19 respectively show the recommended clamp configuration for these operating modes.

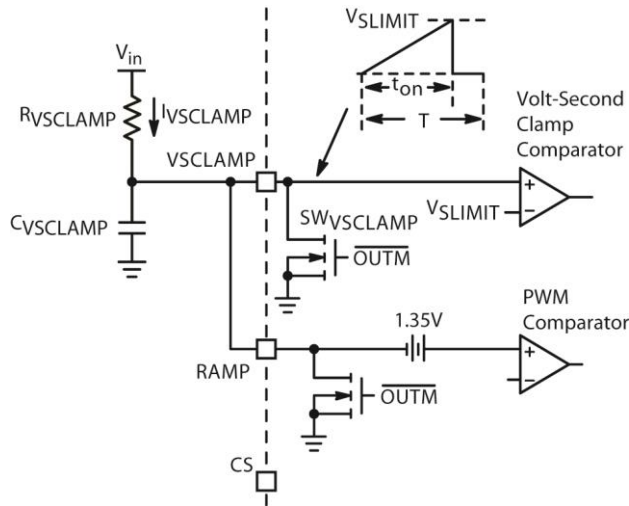


Figure 18. The VSCLAMP Configuration in Voltage-mode Control

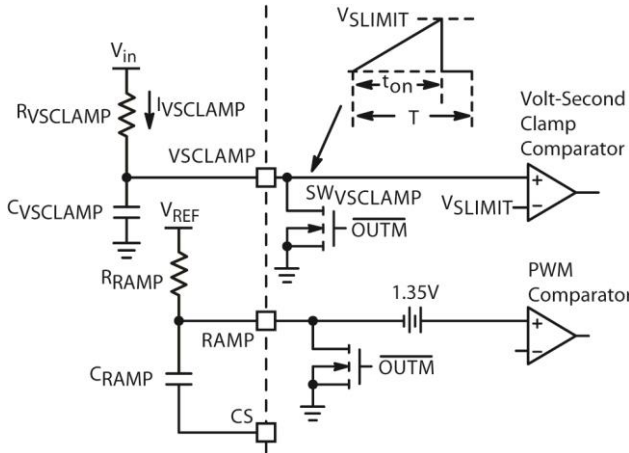


Figure 19. The VSCLAMP Configuration in Peak Current-mode Control

The PWM drive pulse terminates once the VSCLAMP ramp reaches V\_SLIMIT, typically 1.5 V. The RC divider is selected such that the VSCLAMP ramp peak voltage reaches V\_SLIMIT at the desired maximum volt-second limit. The VSCLAMP pin is pulled down by SW\_VSCLAMP at the end of every cycle and is held low until the next drive pulse.

The volt-second limit depends on the transformer you have. Assume the transformer specification allows a maximum volt-second product of 111.6 V-μs for a 200 kHz operation (62% duty ratio max at a 36 V input voltage). It means that maximum on-times at low and high line cannot respectively exceed:

$$t_{on,maxLL} < \frac{V - \mu S_{max}}{V_{in,min}} = \frac{111.6}{36} = 3.1 \mu s \quad (\text{eq. 10})$$

$$t_{on,maxHL} < \frac{V - \mu S_{max}}{V_{in,max}} = \frac{111.6}{76} = 1.47 \mu s \quad (\text{eq. 11})$$

The RC network is thus dimensioned so that the ramp hits the 1.5 V limit in less than 1.47 μs when the input voltage is 76 V or 3.1 μs when the input is 36 V. Let us select a

$$R_{VSclamp} = - \frac{t_{on,max}}{C_{VSclamp} \ln\left(\frac{V_{Slimit}}{V_{in,max}}\right)} = - \frac{1.47 \mu}{\ln \times \ln\left(1 - \frac{1.5}{76}\right)} = 73.74 \text{ k}\Omega \quad (\text{eq. 13})$$

It is recommended to keep R<sub>VSCLAMP</sub> and C<sub>VSCLAMP</sub> close to the controller and away from high dv/dt signals such as drive outputs or swinging high-voltage nodes. C<sub>VSCLAMP</sub> must be connected to AGND for a reliable operation.

**Comp Input**

The PWM comparator modulates the duty ratio to regulate the output voltage. A signal proportional to the loop error signal is applied to this pin using an optocoupler. A voltage proportional to the error signal, V<sub>ERROR</sub>, is internally

normalized capacitor value of 1 nF for instance. In this case, if we consider a near-linear charging current (the series resistor is of high value), then the necessary current will be:

$$I_{charge} > V_{limi} \frac{C_{VSclamp}}{t_{on,maxHL}} = \frac{1.5 \times \ln}{1.47 \mu} = 1.02 \text{ mA} \quad (\text{eq. 12})$$

A 1 mA current provides adequate noise immunity. In this case, R<sub>VSCLAMP</sub> is simply obtained by:

generated and compared to a regulation ramp. The on-time terminates once the ramp exceeds the internal error voltage. In voltage-mode control the VSCLAMP ramp signal is used for regulation (see Figure 18). In current mode control the sum of the current sense ramp and the voltage compensation ramp is used for regulation.

The internal error voltage is generated by applying a current into the COMP pin as shown in Figure 20. The COMP current is internally mirrored with a 10-to-1 ratio. The mirrored current pulls down on a 50-k pull-up resistor from V<sub>REF</sub>.

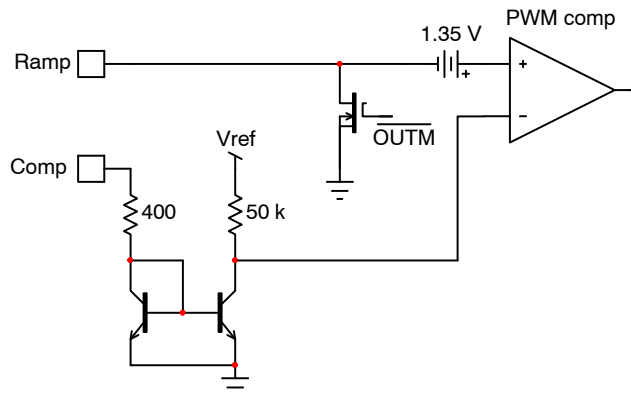


Figure 20. COMP Input Architecture

An almost constant voltage across the optocoupler is achieved when using a current-based feedback input. This results in a faster system response because duty ratio adjusts without the need to charge/discharge the large optocoupler parasitic capacitance. In the frequency domain, the optocoupler pole is moved to a higher frequency allowing the system to operate at a higher crossover frequency. The COMP pin dynamic resistance is 400 Ω. This resistance does not play a role in the loop gain but enters the picture if you plan to place a capacitor across the COMP pin to ground.

Maximum duty ratio is achieved when the COMP current is 0 A or when the pin is left open. A duty ratio of 0% is achieved when the COMP current is approximately 850 μA.

**Frequency**

The oscillator frequency, F<sub>SW</sub>, is set by placing a resistor, R<sub>T</sub>, between the RT and AGND pins. The NCP1566 is optimized for operation between 200 kHz and 1 MHz. Equation 14 shows the relationship between F<sub>SW</sub> and R<sub>T</sub>.

$$R_T = - \frac{1.188 \mu + \frac{9 \times DC_{max} - 9}{F_{sw}}}{486p} \quad (\text{eq. 14})$$

R<sub>T</sub> should be placed directly across the RT and AGND pins. Assuming a 200 kHz switching frequency with a 63% max duty ratio, then R<sub>T</sub> should be:

$$R_T = - \frac{1.188 \mu + \frac{9 \times 0.63 - 9}{200 \text{ k}}}{486p} = 31.8 \text{ k}\Omega \quad (\text{eq. 15})$$

**Maximum Duty Ratio**

The maximum duty ratio of the oscillator is set by placing a resistor,  $R_{DLMT}$ , between the DLMT and AGND pins. The adjustable duty ratio range is between 50 and 80%. The maximum duty ratio accuracy is  $\pm 3\%$ . The resistor that sets the maximum duty ratio depends on the timing resistance calculated in (14). It depends on the timing resistance but also on an overlap delay,  $t_{D1}$ . The overlap time ( $t_{D1}$ ) between OUTA and OUTM reduces the effective duty ratio of OUTM. Please look in the electrical characteristics table to know what overlap value to use.

$$R_{DLMT} = \frac{9 \times DC_{max} + 828n \times F_{sw}}{F_{sw} \times 486p} \quad (\text{eq. 16})$$

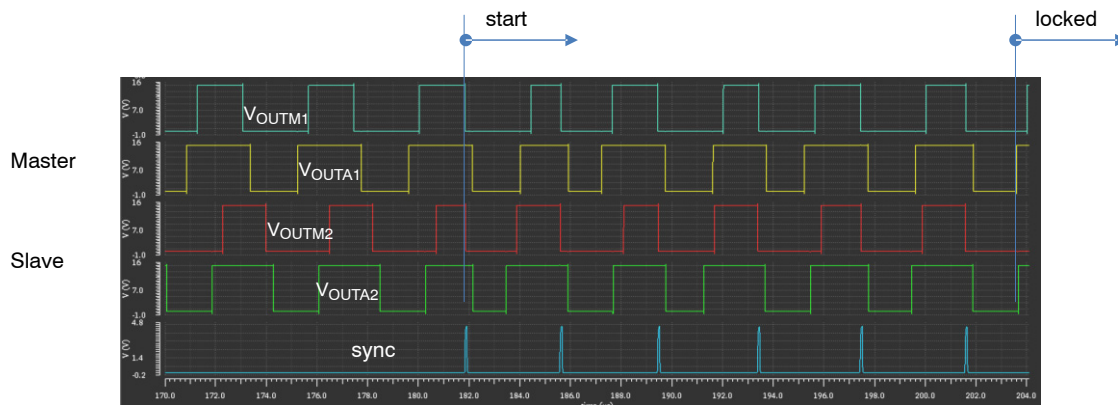
Assume our transformer specification states a maximum duty ratio of 63%. Our circuit operates at a 200 kHz frequency and the overlap time is set to 100 ns. We should place a resistance of the following value:

$$R_{DLMT} = \frac{9 \times 0.63 + 828n \times 200 \text{ k}}{200 \text{ k} \times 486p} \approx 60 \text{ k}\Omega \quad (\text{eq. 17})$$

$R_{DLMT}$  should be placed directly across the DLMT and AGND pins.

**Synchronization**

The NCP1566 offers a bi-directional synchronization pin which allows either controlling another switching controller or be controlled by an external clock signal. When operating in standalone, the SYNC pin delivers narrow pulses of 150 ns width and a 3 V minimum amplitude. When driving another controller, the master frequency must be higher than the slave frequency, typically by a maximum of 20%. The closer frequencies are the faster synchronization occurs. When connected to another controller, the master delivers a first 600  $\mu\text{A}$  pull-up pulse (0 to 1 transition) followed 150 ns later by a second 150 ns 1.2 mA pull-down pulse. The rest of the time, the pin maintains 0 V through a 30  $\mu\text{A}$  pull-down. Please note that the synchronization operation respects the maximum duty ratio and volt-second set by the slave controller. In applications where synchronization is not needed, the SYNC pin can be safely grounded to the closest controller quiet ground.



**Figure 21. A Typical Synchronization Sequence between a Master Controller and a Slave**

A typical synchronization sequence appears in Figure 21. A few pulses are necessary before synchronization is effective. This locking sequence will last longer if frequencies between master and slave are away from each other.

**Fault Reporting and Shutdown Input**

The  $\overline{\text{FLT/SD}}$  pin reports the presence of a fault to an external supervisory circuitry. It also can be used to shutdown the controller if externally brought down. This pin has an open collector output with a 10 k $\Omega$  internal pull-up resistor ( $R_{\overline{\text{FLT/SD}}}$ ) connected to the 5 V reference. The  $\overline{\text{FLT/SD}}$  pin is internally pulled low (to indicate a fault) by an internal transistor, when an overcurrent, short circuit,  $V_{CC(UVLO)}$ , OVP, OTP or low input voltage fault is detected. The pin is also pulled low when the controller is in restart mode.

During the initialization sequence, the shutdown detection pin is released once  $V_{REF}$  reaches its regulation level. The controller considered that the  $\overline{\text{FLT/SD}}$  pin is cleared from a fault when the pin voltage,  $V_{\overline{\text{FLT/SD}}}$ , exceeds the enable threshold,  $V_{\overline{\text{FLT/SD}}(\text{enable})}$ , typically 1.45 V, and  $V_{SS}$  exceeds  $V_{SS(\text{disable})}$ , typically 0.5 V. The controller is disabled once  $V_{\overline{\text{FLT/SD}}}$  falls below the shutdown threshold,  $V_{\text{fault}}$ , typically 1.25 V. While the controller is in shutdown state,  $V_{CC}$  is hiccupping between 9.5/9.4 V typically and  $V_{REF}$  is kept high. When the  $\overline{\text{FLT/SD}}$  pin is brought low, the part activates the restart delay (RES is cycled up and down 32 times) before a new restart is authorized when the  $\overline{\text{FLT/SD}}$  pin is released.

Figure 22 gathers all the possible events that can activate the fault pin.

# NCP1566

Shutdown Cause	Auto-Restart	Shutdown Delay	Restart Delay	Pull Low FLTSD Internally
$V_{IN} < V_{ENABLE}$	Yes	No	No	Yes
$V_{IN} < V_{STANDBY}$	Yes	No	No	No
$V_{CC} < V_{CC(MIN)}$	Yes	No	No	Yes
$V_{CC} < V_{CC(reset)}$	Yes	No	No	No
REF UVLO	Yes	No	No	Yes
OCP	Yes	Yes	Yes	Yes
SCP	Yes	No	Yes	Yes
OTP	Yes	No	Yes	Yes
OVP	Yes	No	Yes	Yes
Built-in Thermal Shutdown	Yes	No	No	Yes
FLT/SD	Yes	No	Yes	Yes
SS low	Yes	No	No	No

Figure 22. This Table Gathers All the Possible Events which Pull the Fault Pin Low

## Restart Mode

The NCP1566 incorporates a restart timer to disable the controller for a certain amount of time and initiate a hiccup mode operation if a fault is detected. In short circuit operations, this technique limits the overall dissipated power. Once the fault is gone, the controller automatically resumes operations. A restart event occurs if one of the following faults is detected:

- Overcurrent fault (OCP)

- Overvoltage fault (OVP)
- Two consecutive short-circuit pulses (SCP)
- Overtemperature fault detected on OTP pin
- Internal thermal shutdown fault
- The FLT/SD pin has been externally pulled low

Please note that the pin is internally held low during the duration of the restart timer. The simplified architecture of the restart timer is shown in Figure 23.

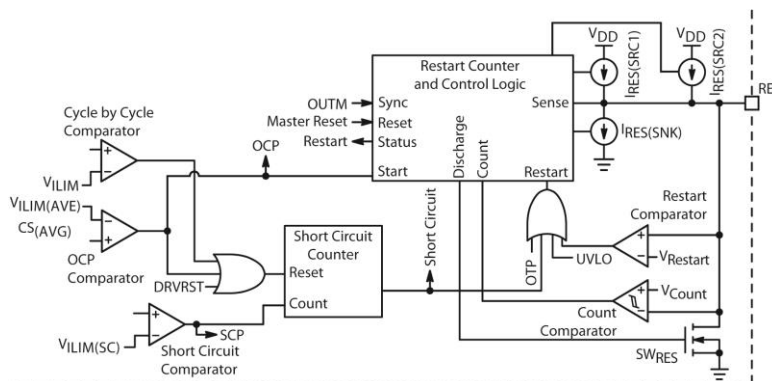


Figure 23. Restart Timer Architecture

A pull-down current source,  $I_{RES(SNK)}$ , typically  $5\ \mu A$ , holds the RES pin at a low level when no faults are present. The restart timer sequentially charges and discharges 32 times the capacitor on the RES pin,  $C_{RES}$ , between 2 V and 4 V to set the restart or hiccup duration. A fault triggers a restart or hiccup delay with the exception of an overcurrent fault. An overcurrent fault starts the shutdown delay timer before drive pulses are cut. A restart sequence initiates once the shutdown delay expires.

The RES pin combines two functions: the restart delay and the shutdown delay. As explained, the restart delay is made of 32 up/down cycles between 2/4 V on the RES pin. The shutdown delay is actually the time taken by the RES

pin to charge from 0 to 1 V. This charge is initiated by the average input current reconstruction. When this internal averaged current exceeds 0.3 V, the capacitor on the RES pin is charged by the  $20\ \mu A$  source. If the over current goes away, the capacitor slowly discharges via a  $5\ \mu A$  pull-down current sink. If the fault comes back, the  $5\ \mu A$  sink turns off and the  $20\ \mu A$  is reactivated. When the capacitor voltage eventually reaches 1 V, all pulses are stopped, a shutdown pulse is issued and the part enters auto-recovery hiccup mode via the restart delay.

Figure 24 shows operating waveforms during an overload condition. A SHDN pulse is generated and the controller is disabled once  $V_{RES}$  exceeds 1 V.

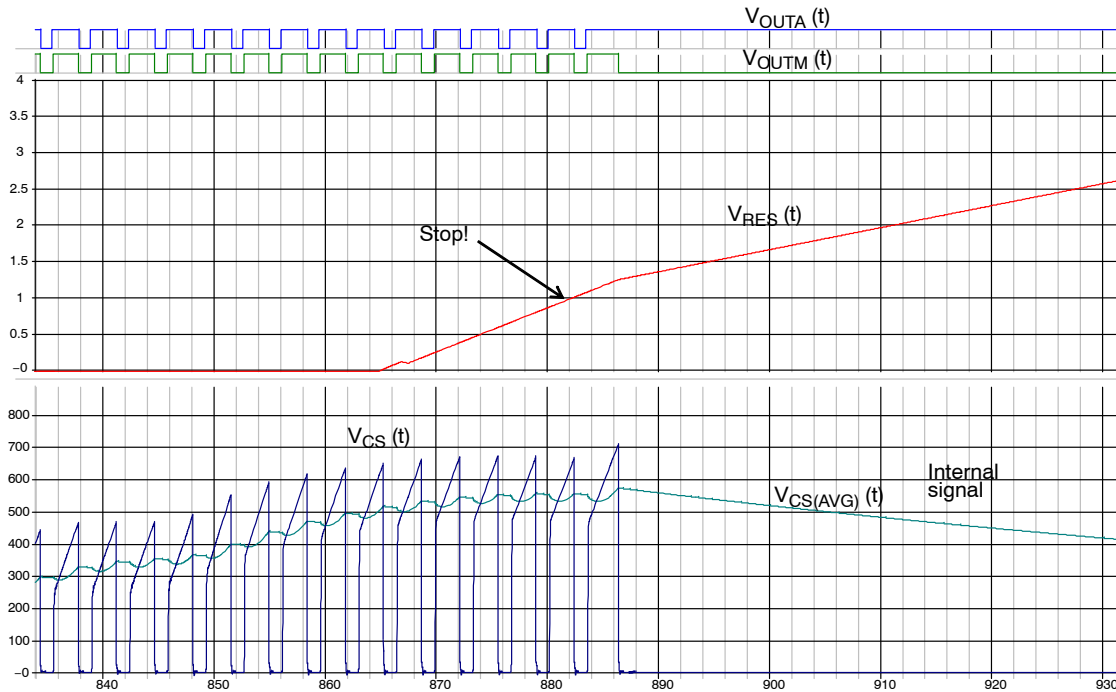


Figure 24. Overload Condition Operating Waveforms

Hiccup is ensured by charging and discharging the capacitor connected to the RES pin  $C_{RES}$  between 2 and 4 V. Charge and discharge currents are equal to  $5\ \mu A$  and respectively correspond to parameters  $I_{RES(SRC2)}$  and  $I_{RES(SNK)}$ . The restart mode ends after 32 consecutive charge/discharge cycles.  $C_{RES}$  is then pulled low using an internal pull down transistor,  $SW_{RES}$ . The transistor is

disabled once  $V_{RES}$  falls below the discharge level,  $V_{RES(DIS)}$ , typically 100 mV. Once  $C_{RES}$  is fully discharged a new startup sequence commences and soft-start is released.

During the restart delay, the VCC pin is maintained by the controller operating the high-voltage current source in the DSS mode: the voltage hiccups between 9.4 and 9.5 V.



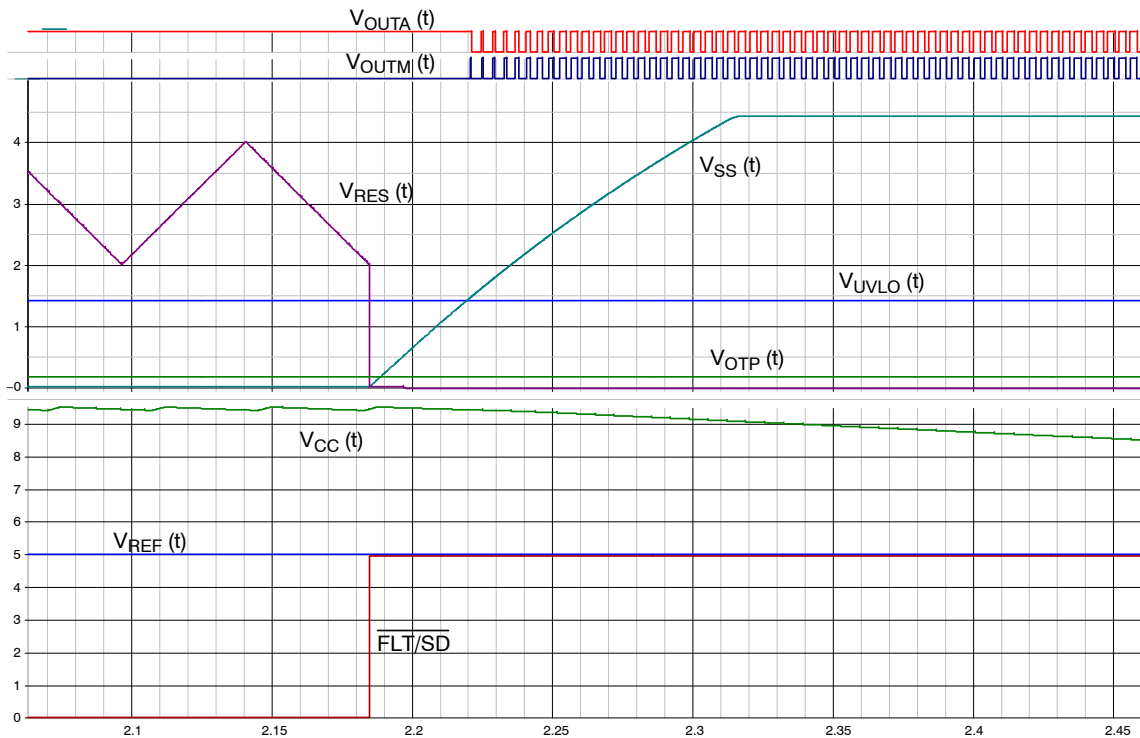


Figure 25. Timing Diagram Exiting Restart

**Gate Drive Outputs**

The NCP1566 has two in-phase output drivers with an adaptive overlap delay ( $t_D$ ). The main output, OUTM, can sink a minimum of 3 A and source a minimum of 2 A. The secondary output, OUTA, can sink a minimum of 1 A and source a minimum of 2 A.

OUTM is configured to drive an N-channel MOSFET as the main switch. OUTA is configured to drive a P-channel MOSFET which source is grounded. OUTA is purposely sized smaller than OUTM because the active clamp MOSFET only sees the magnetizing current in an active clamp forward topology. Therefore, a smaller active clamp MOSFET with less input capacitance is used compared to the main switch. Also, on-losses associated with this P-channel have a beneficial damping effect on the  $L_{mag}C_{clamp}$  resonating network.

Once  $V_{CC}$  reaches  $V_{CC(on)}$ , the internal startup circuit is disabled and OUTA goes high to pre-charge the P-channel charge pump capacitor. OUTA goes low following OUTM after the overlap delay expires. OUTA remains high while the controller is disabled or until  $V_{CC}$  falls below  $V_{CC(reset)}$ .

The outputs are biased directly from  $V_{CC}$  and their high state voltage is approximately  $V_{CC}$ . Therefore, the auxiliary supply voltage should not exceed the maximum gate voltage of the main and active clamp MOSFETs.

The inductance between the drivers and its load should be kept to a minimum to minimize current-induced voltage

spikes. This can be achieved by reducing the connection length between the drivers and their loads and using wide traces for connections.

**Overlap Time**

In an active clamp forward converter, there are two delays involved in the driving signals. Both deal with Zero Voltage Switching (ZVS) operations. When the main N-channel MOSFET turns off, the magnetizing current finds an immediate path in the P-channel body diode. The conduction of this diode forces a low voltage across the drain-source terminals of the considered MOSFET. Once this condition is obtained, the P-channel can be turned on. This delay ensures ZVS is present for the P-channel. To limit switching losses on the main N-channel MOSFET, you also want to ensure quasi or full ZVS operation. To meet this requirement, the P-channel will be turned off slightly before turning on the N-channel so that the drain-source voltage can swing down to ground or approach it: this is the second delay.

A simplified block diagram and waveforms of an active clamp forward converter with a low side active clamp switch are shown in Figure 26. Driver OUTM drives the main switch where as OUTAC drives the active clamp switch. Overlap time between the drive signals is required to achieve zero or near zero volts switching (ZVS) on the switches.

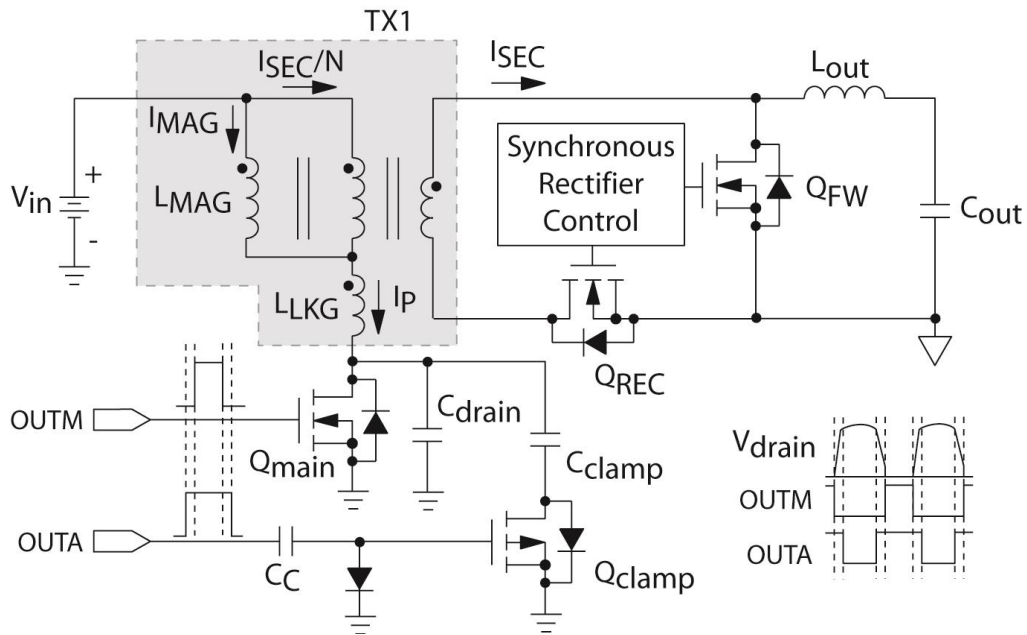


Figure 26. Active-clamp Forward Topology

OUTA leads OUTM during a low to high transition by a time duration given by  $t_D$ . OUTA trails OUTM during a high to low transition by the same time duration. Figure 27 shows

the overlap time delays between the OUTA and OUTM drive signals.

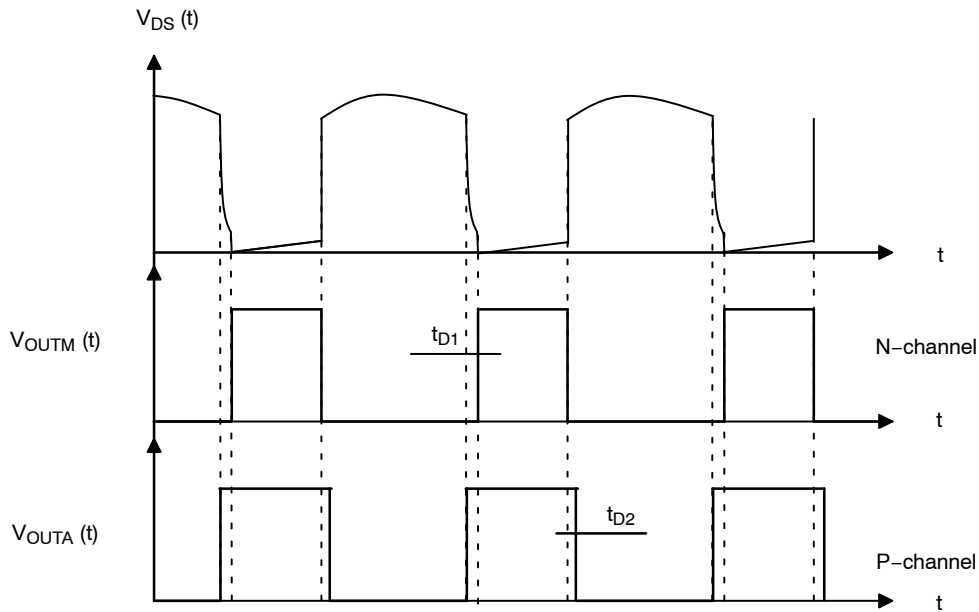


Figure 27. Overlap Time Waveforms

The overlap time is usually optimized for full-load efficiency. However, the optimum overlap time required to achieve ZVS varies with line and load conditions. In light load, the magnetizing energy is reduced slowing down the drain voltage transitions. Keeping the same overlap regardless of loading conditions can affect the converter's efficiency along its operating range. NCP1566 adaptively adjusts the overlap times to optimize the system efficiency

across operating conditions. The current sense information (representative of load) is used to adjust the overlap times. The overlap times are essentially constant at mid to high load. In light load conditions, overlap times are inversely proportional to load current. The adaptive overlap time adjustment becomes active around 30 % of the maximum load.

A resistor,  $R_{DT}$ , between the DT and AGND pins adjusts the overlap time. The minimum trailing delay is 20 ns. Equation 18 shows the relationship between overlap delays and  $R_{DT}$ , the scaled-down input voltage and the current sense voltage.

$$t_D(V_{CS}) = \frac{R_{DR} \times 1.66 \times 10^{-16}}{\frac{1.4 \text{ V}}{37 \text{ k}} + \text{minimum}\left(\frac{V_{CS}}{2 \text{ k}}, \frac{1.4 \text{ V}}{35 \text{ k}}\right)} \quad (\text{eq. 18})$$

For our 200 kHz dc-dc converter, the dead-time resistance  $R_{DT}$  is calculated using the maximum value at a 0.4 V CS bias. Assuming a 100 ns dead time, we have:

$$R_{DT} = \frac{DT \times 77.8 \mu}{1.66 \times 10^{-16}} = \frac{100 \text{ n} \times 77.8 \mu}{1.66 \times 10^{-16}} = 46.85 \text{ k}\Omega \quad (\text{eq. 19})$$

If we plot (18) using Mathcad as  $V_{CS}$  varies from 0 to 0.45 V, we obtain Figure 28 graph:

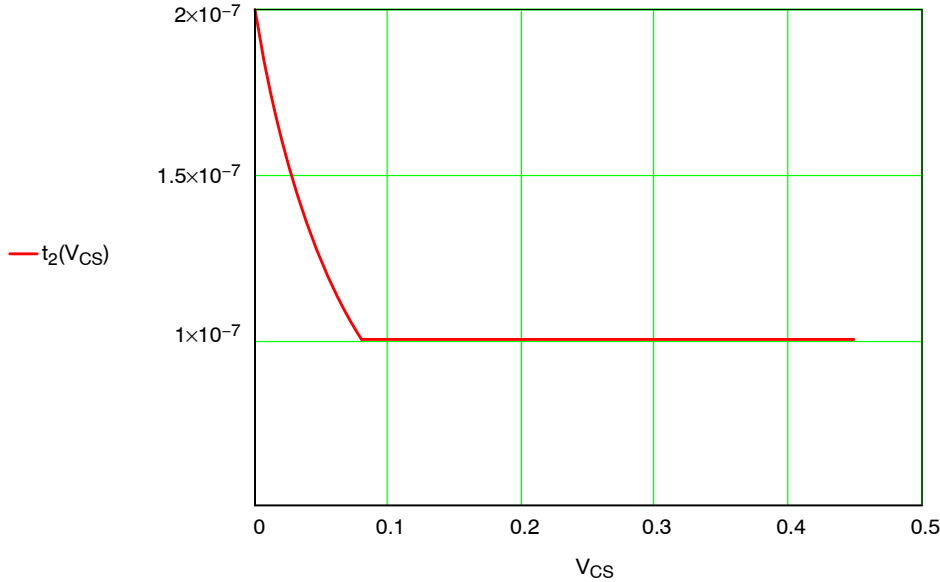


Figure 28. The Dead Time Evolution with the Sensed Current

**Reference Voltage**

A 5.0 V  $\pm 2\%$  reference is provided on the REF pin. It provides current up to 12 mA. This reference can be used for biasing an external circuitry. A bypass capacitor is required for stability. The recommended minimum capacitance is 0.1  $\mu$ F. The reference is enabled once  $V_{UVLO}$  exceeds  $V_{STBY}$  and  $V_{CC}$  exceeds 7.5 V. It is disabled once  $V_{CC}$  falls below  $V_{CC(reset)}$ , typically 6.4 V. The reference pin incorporates an undervoltage detector. The reference is disabled if it falls below its undervoltage lockout threshold,  $V_{REF(UVLO)}$ , typically 4.5 V. The reference undervoltage lockout has hysteresis,  $V_{REF(HYS)}$ , typically 200 mV. The controller is immediately disabled if a  $V_{REF}$  undervoltage lockout fault is detected. A 1.5  $\mu$ s filter delay provides noise immunity.

$V_{REF}$  is biased directly from  $V_{CC}$ . Therefore, if a load is applied to  $V_{CC}$  while  $V_{REF}$  is charging, chances exist to

prevent the auxiliary voltage from properly building up, aborting the startup sequence.  $V_{CC}$  and  $V_{REF}$  capacitors should be sized such that the charging of  $V_{REF}$  does not cause  $V_{CC}$  to fall below  $V_{CC(reset)}$ . Otherwise, the reference will be disabled and an unexpected hiccup can be observed.

If too much current is drawn from the REF pin,  $V_{CC}$  will collapse. Once  $V_{CC}$  falls  $V_{CC(min)}$  a shutdown pulse on OUTM and forcing OUTA high. Once OUTM goes low, the controller is disabled resulting in a discharge of the soft-start capacitor.  $V_{REF}$  and OUTA are disabled once  $V_{CC}$  falls below  $V_{CC(reset)}$ . Once  $V_{REF}$  is disabled, the overload condition is removed allowing  $V_{CC}$  to charge back up.

When the part is operated up to 120 V, it is important to limit the current absorbed from the REF pin during the start-up sequence or the hiccup mode.

**Power Dissipation**

The controller junction-to-ambient thermal resistance  $R_{\theta JA}$  depends on the available copper surface it is soldered upon. Below are characterization data that link  $R_{J-A}$  with copper surface and number of layers. 1 and 2 oz copper respectively correspond to 35 and 70  $\mu\text{m}$  PCB copper thickness.

**Table 4. QFN PACKAGE 2 LAYER JEDEC EIA/JESD 51.3** (Copper area  $R_{\theta JA} = 35 \mu\text{m}$ )

Cu Area mm <sup>2</sup>	1.0 oz	2.0 oz
100	131	115
125	122	107
150	115	101
200	105	93
300	93	82
400	85	75
500	79	69
600	74	66

**Table 5. QFN PACKAGE 4 LAYER JEDEC EIA/JESD 51.7** (Copper area  $R_{\theta JA} = 70 \mu\text{m}$ )

Cu Area mm <sup>2</sup>	1.0 oz	2.0 oz
100	48	46
125	48	46
150	48	46
200	48	46
300	48	46
400	47	46
500	47	45
600	47	45

**Ordering Information**

**Table 6. ORDERING INFORMATION TABLE**

Device	Package	Shipping †
NCP1566MNTXG	QFN24 (Pb-Free)	3000 / Tape & Reel

†For information on tape and reel specifications, including part orientation and tape sizes, please refer to our Tape and Reel Packaging Specification Brochure, BRD8011/D.

Once the PCB layout is done and a prototype exists, it is important to characterize the junction-to-ambient thermal resistance and make sure the junction temperature remains within limits, especially if the part is continuously biased up to 120 V.

**Temperature Shutdown**

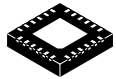
An internal thermal shutdown circuit monitors the junction temperature of the IC. The controller is disabled without a shutdown pulse if the junction temperature exceeds the thermal shutdown threshold,  $T_{SHDN}$ , typically 165°C. The controller restarts once the IC temperature drops below  $T_{SHDN}$  by the thermal shutdown hysteresis,  $T_{SHDN(HYS)}$ , typically 20°C and  $V_{CC}$  has charged to  $V_{CC(on)}$  at least once while in thermal shutdown mode.

A thermal shutdown fault is cleared if  $V_{CC}$  drops below  $V_{CC(reset)}$ , or if  $V_{UVLO}$  falls below  $V_{STBY}$  by its hysteresis level. A power-up sequence commences at the next  $V_{CC(on)}$  if all faults are removed.

# MECHANICAL CASE OUTLINE

## PACKAGE DIMENSIONS

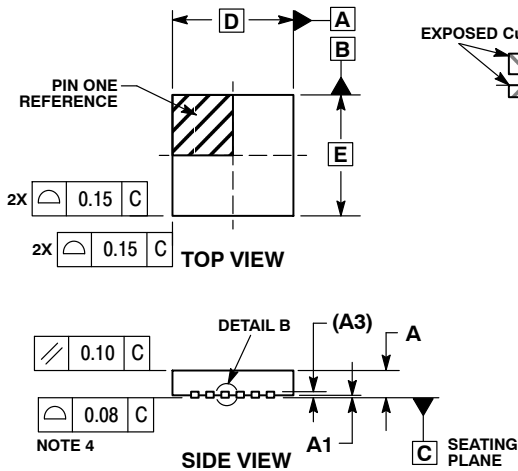
ON Semiconductor®



SCALE 2:1

QFN24, 4x4, 0.5P  
CASE 485CW  
ISSUE O

DATE 15 NOV 2012

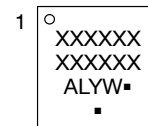


NOTES:

1. DIMENSIONING AND TOLERANCING PER ASME Y14.5M, 1994.
2. CONTROLLING DIMENSION: MILLIMETERS.
3. DIMENSION b APPLIES TO PLATED TERMINAL AND IS MEASURED BETWEEN 0.25 AND 0.30 MM FROM THE TERMINAL TIP.
4. COPLANARITY APPLIES TO THE EXPOSED PAD AS WELL AS THE TERMINALS.

MILLIMETERS		
DIM	MIN	MAX
A	0.80	1.00
A1	0.00	0.05
A3	0.20	REF
b	0.21	0.31
D	4.00	BSC
D2	2.10	2.30
E	4.00	BSC
E2	2.10	2.30
e	0.50	BSC
L	0.30	0.50
L1	---	0.15

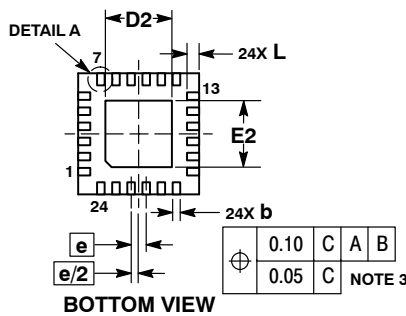
### GENERIC MARKING DIAGRAM\*



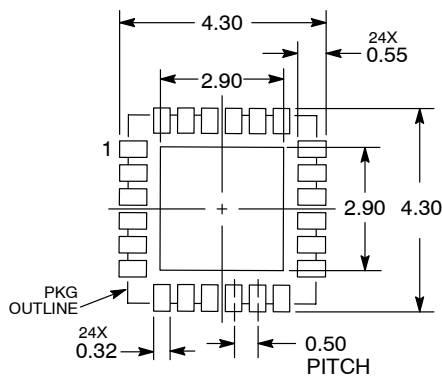
- XXXXXX = Specific Device Code
- A = Assembly Location
- L = Wafer Lot
- Y = Year
- W = Work Week
- = Pb-Free Package

(Note: Microdot may be in either location)

\*This information is generic. Please refer to device data sheet for actual part marking. Pb-Free indicator, "G" or microdot "▪", may or may not be present.



### RECOMMENDED SOLDERING FOOTPRINT\*



DIMENSIONS: MILLIMETERS

\*For additional information on our Pb-Free strategy and soldering details, please download the ON Semiconductor Soldering and Mounting Techniques Reference Manual, SOLDERRM/D.

<b>DOCUMENT NUMBER:</b>	<b>98AON85293E</b>	Electronic versions are uncontrolled except when accessed directly from the Document Repository. Printed versions are uncontrolled except when stamped "CONTROLLED COPY" in red.
<b>DESCRIPTION:</b>	<b>QFN24, 4X4, 0.5P</b>	<b>PAGE 1 OF 1</b>

ON Semiconductor and ON are trademarks of Semiconductor Components Industries, LLC dba ON Semiconductor or its subsidiaries in the United States and/or other countries. ON Semiconductor reserves the right to make changes without further notice to any products herein. ON Semiconductor makes no warranty, representation or guarantee regarding the suitability of its products for any particular purpose, nor does ON Semiconductor assume any liability arising out of the application or use of any product or circuit, and specifically disclaims any and all liability, including without limitation special, consequential or incidental damages. ON Semiconductor does not convey any license under its patent rights nor the rights of others.

ON Semiconductor and  are trademarks of Semiconductor Components Industries, LLC dba ON Semiconductor or its subsidiaries in the United States and/or other countries. ON Semiconductor owns the rights to a number of patents, trademarks, copyrights, trade secrets, and other intellectual property. A listing of ON Semiconductor's product/patent coverage may be accessed at [www.onsemi.com/site/pdf/Patent-Marking.pdf](http://www.onsemi.com/site/pdf/Patent-Marking.pdf). ON Semiconductor reserves the right to make changes without further notice to any products herein. ON Semiconductor makes no warranty, representation or guarantee regarding the suitability of its products for any particular purpose, nor does ON Semiconductor assume any liability arising out of the application or use of any product or circuit, and specifically disclaims any and all liability, including without limitation special, consequential or incidental damages. Buyer is responsible for its products and applications using ON Semiconductor products, including compliance with all laws, regulations and safety requirements or standards, regardless of any support or applications information provided by ON Semiconductor. "Typical" parameters which may be provided in ON Semiconductor data sheets and/or specifications can and do vary in different applications and actual performance may vary over time. All operating parameters, including "Typicals" must be validated for each customer application by customer's technical experts. ON Semiconductor does not convey any license under its patent rights nor the rights of others. ON Semiconductor products are not designed, intended, or authorized for use as a critical component in life support systems or any FDA Class 3 medical devices or medical devices with a same or similar classification in a foreign jurisdiction or any devices intended for implantation in the human body. Should Buyer purchase or use ON Semiconductor products for any such unintended or unauthorized application, Buyer shall indemnify and hold ON Semiconductor and its officers, employees, subsidiaries, affiliates, and distributors harmless against all claims, costs, damages, and expenses, and reasonable attorney fees arising out of, directly or indirectly, any claim of personal injury or death associated with such unintended or unauthorized use, even if such claim alleges that ON Semiconductor was negligent regarding the design or manufacture of the part. ON Semiconductor is an Equal Opportunity/Affirmative Action Employer. This literature is subject to all applicable copyright laws and is not for resale in any manner.

## PUBLICATION ORDERING INFORMATION

### LITERATURE FULFILLMENT:

Email Requests to: [orderlit@onsemi.com](mailto:orderlit@onsemi.com)

ON Semiconductor Website: [www.onsemi.com](http://www.onsemi.com)

### TECHNICAL SUPPORT

North American Technical Support:  
Voice Mail: 1 800-282-9855 Toll Free USA/Canada  
Phone: 011 421 33 790 2910

### Europe, Middle East and Africa Technical Support:

Phone: 00421 33 790 2910

For additional information, please contact your local Sales Representative