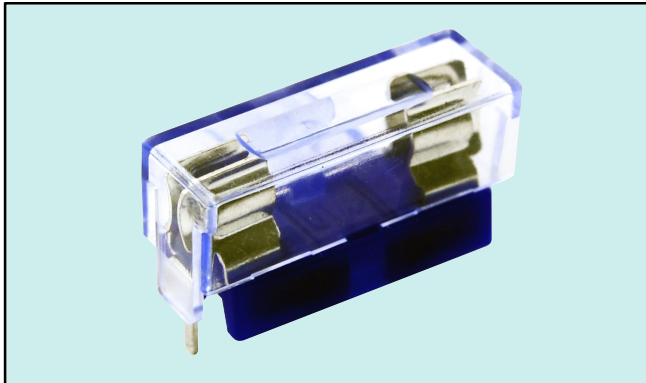


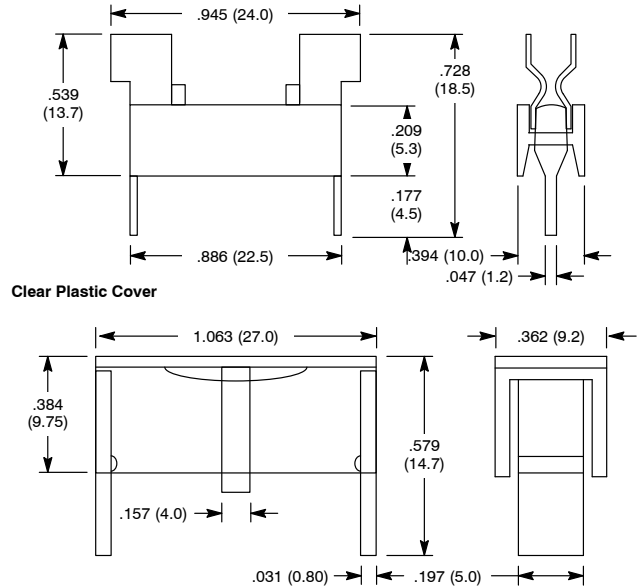
74-FB5, Fuse Block w/Clear Cover

Specifications:

- For 5 x 20mm Fuse
- PC Mount
- Rated for Current up to 10A



FA-04



R58-Boot

Protective Boot

Features

- For R58 Series Circuit Breakers
- Waterproof
- M11 Thread
- Clear Silicon



FA-14

