

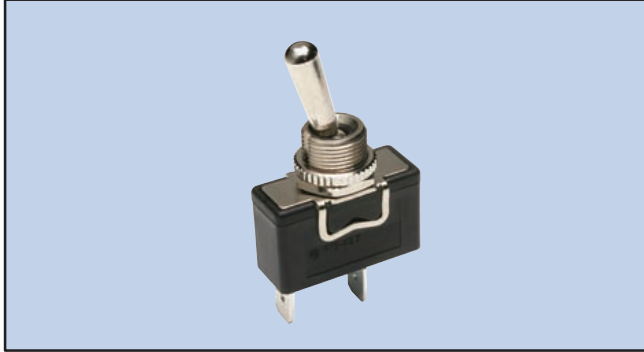
# Waterproof Toggle Switches

## Bat Handle



### Features

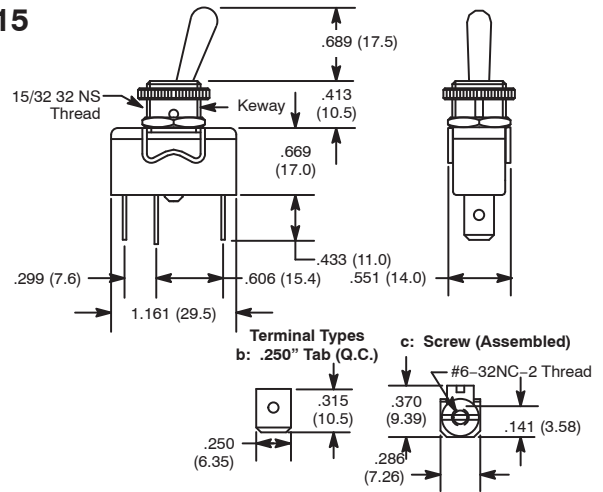
- **Waterproof: IP56**
- **Single Pole Types**
- **Internal "O" Ring for Moisture and Dust Resistance**
- **.250" Quick Connect Terminals**



NTE Type No.	Circuitry	Current Rating	Action			Actuator	Diag No.
54-348W#	SPST	B	ON	NONE	OFF	Brass/Nickel Plate	S115b
54-349W	SPDT	A	ON	NONE	ON	Brass/Nickel Plate	S115b
54-350W	SPDT	A	ON	OFF	ON	Brass/Nickel Plate	S115b
54-352W##	SPDT	A	(ON)	OFF	(ON)	Brass/Nickel Plate	S115b
54-354W	SPST	B	ON	NONE	OFF	Brass/Nickel Plate	S115c
54-355W##	SPDT	A	ON	NONE	ON	Brass/Nickel Plate	S115c
54-356W	SPDT	A	ON	OFF	ON	Brass/Nickel Plate	S115c
54-358W##	SPDT	A	(ON)	OFF	(ON)	Brass/Nickel Plate	S115c

SPECIAL NOTE: ( ) = Momentary Function  
 # UL for 16 Amp ONLY  
 ## UL for 12 Amp ONLY

## S115



## Specifications

### Current Rating:

- A: 16A 277VAC, 1 HP
- B: 20A 277VAC, 1 HP

**Insulation Resistance:** 100 Megohms (min.) at 500VDC

**Dielectric Strength:** 1500V RMS (min.)

**Temperature Rating:** +32° to +149°F (0° to +65°C)

**Electrical Life:** 6,000 cycles

**Mechanical Life:** 10,000 cycles at full load

**Terminal Type:** Refer to Diag No. in Table

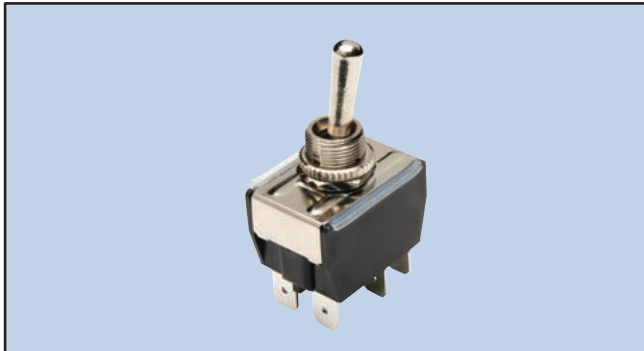
**Mounting Hole:** .472 (12.0)

## Bat Handle



### Features

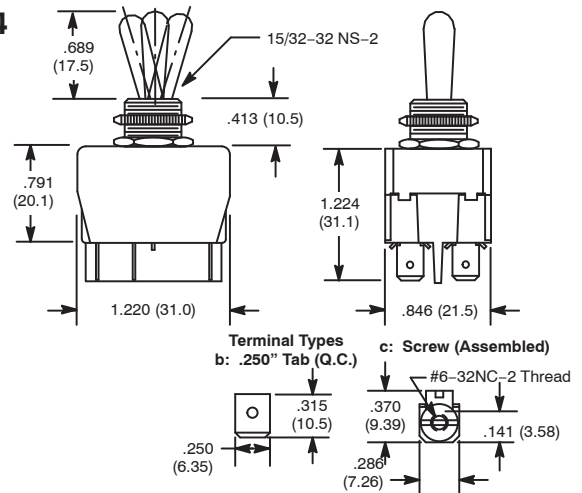
- **Waterproof: IP56**
- **Double Pole Types**
- **Internal "O" Ring for Moisture and Dust Resistance**
- **.250" Quick Connect Terminals**



NTE Type No.	Circuitry	Current Rating	Action			Actuator	Diag No.
54-360W	DPDT	A	ON	NONE	ON	Brass/Nickel Plate	S114b
54-361W	DPDT	A	ON	OFF	ON	Brass/Nickel Plate	S114b
54-364W	DPDT	A	(ON)	OFF	(ON)	Brass/Nickel Plate	S114b
54-366W##	DPST	B	ON	NONE	OFF	Brass/Nickel Plate	S114b
54-367W	DPST	B	ON	NONE	OFF	Brass/Nickel Plate	S114c
54-369W	DPDT	A	ON	NONE	ON	Brass/Nickel Plate	S114c
54-370W##	DPDT	A	ON	OFF	ON	Brass/Nickel Plate	S114c
54-373W	DPDT	A	(ON)	OFF	(ON)	Brass/Nickel Plate	S114c

SPECIAL NOTE: ( ) = Momentary Function  
 ## UL for 12 Amp ONLY

## S114



## Specifications

### Current Rating:

- A: 16A 250VAC, 1 HP
- B: 20A 277VAC, 1 HP

**Insulation Resistance:** 100 Megohms (min.) at 500VDC

**Dielectric Strength:** 1500V RMS (min.)

**Temperature Rating:** +32° to +149°F (0° to +65°C)

**Electrical Life:** 6,000 cycles

**Mechanical Life:** 10,000 cycles at full load

**Terminal Type:** Refer to Diag No. in Table

**Mounting Hole:** .472 (12.0)