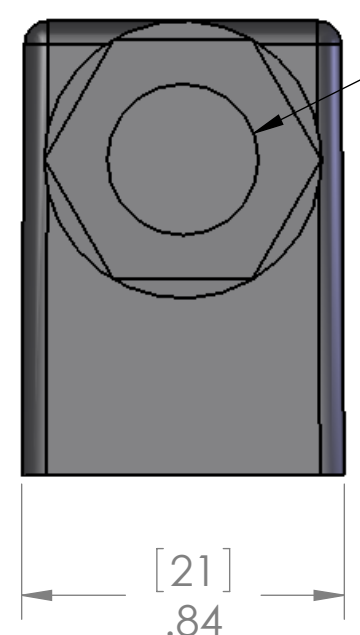
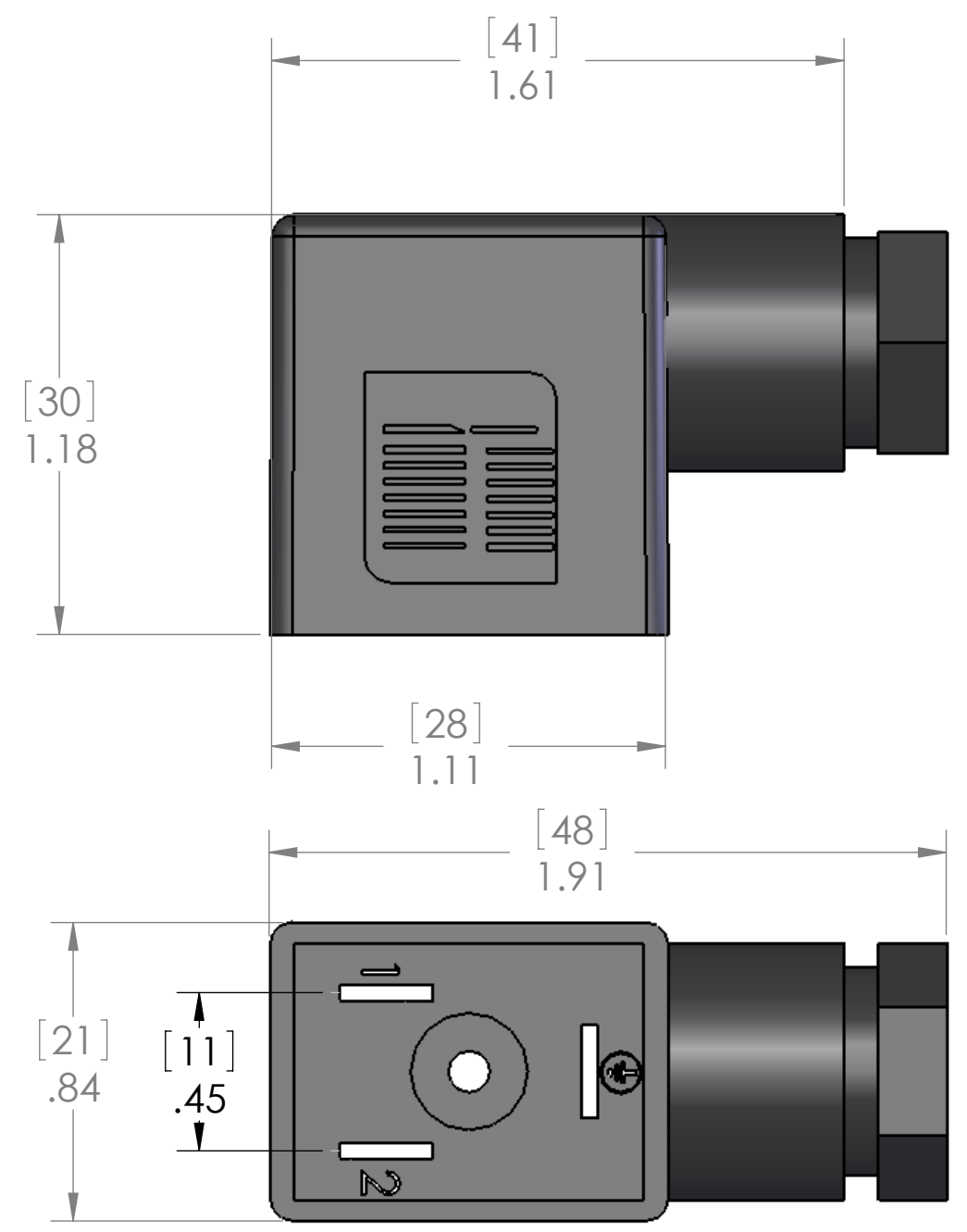


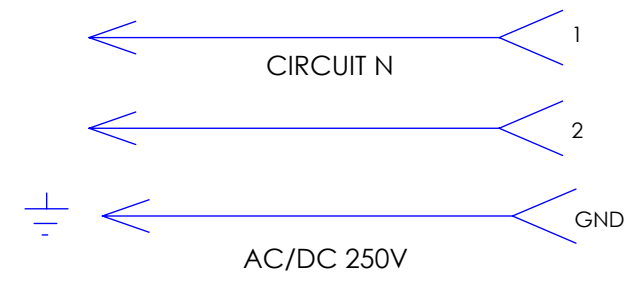
REVISIONS			
REV.	DESCRIPTION	DATE	APPROVED
A	REDRAWN IN SW	10/27/2008	BEM



GASKET AND SCREW INCLUDED,
NOT SHOWN FOR CLARITY.

RATINGS:	
VOLTAGE:	250 VAC/VDC
AMPERAGE:	10A MAX
WIRE AWG:	16AWG MAX
CABLE DIA.:	n/a
TEMPERATURE:	-40°C / +80°C

MATERIALS:	
COLOR:	BLACK
BODY:	POLYAMIDE
CONTACT:	COPPER ALLOY SILVER PLATED
GASKET:	THERMOPLASTIC
SCREW:	STEEL ZINC PLATE
PROTECTION:	IP65



PROPRIETARY AND CONFIDENTIAL
THE INFORMATION CONTAINED IN THIS DRAWING IS THE SOLE PROPERTY OF MENCOM CORPORATION. ANY REPRODUCTION IN PART OR AS A WHOLE WITHOUT THE WRITTEN PERMISSION OF MENCOM CORPORATION IS PROHIBITED.

UNLESS OTHERWISE SPECIFIED:	
DIMENSIONS ARE IN INCHES & [MM]	
MATERIAL	
FINISH	
DO NOT SCALE DRAWING	

MENCOM CORPORATION		
NAME	CAM	
TITLE:		
SIZE	DWG. NO.	REV
B	VDN-029-00	A
SCALE: 2:1	WEIGHT:	SHEET 1 OF 1