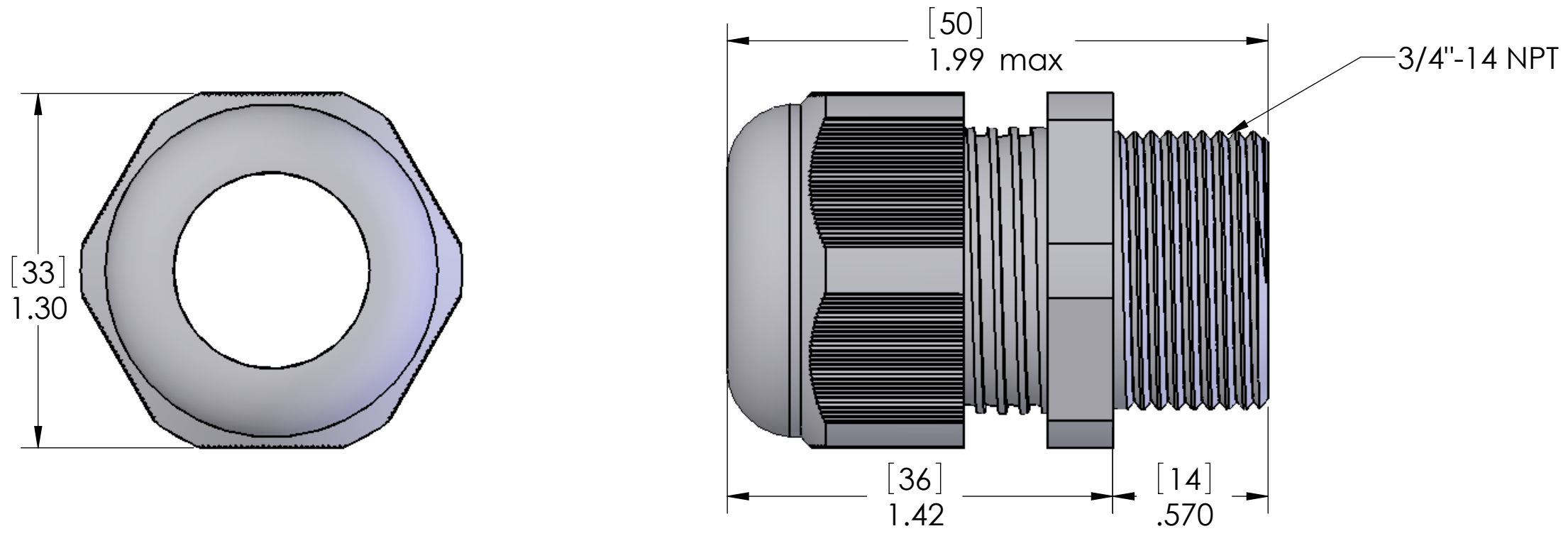


REVISIONS		
REV.	DESCRIPTION	DATE
A	REDRAWN IN SW	6/1/2006



NO O-RING IS NECESSARY TO OBTAIN IP68 SEAL. CRUSH RIBS ON THE UNDERSIDE OF HEX WILL PROVIDE THE SEAL.

SEAL RATED TO: IP68

MATERIALS	
BODY:	GRAY OR BLACK POLYAMIDE
GROMMET:	NEOPRENE

SPECIFICATIONS:	
TIGHTENING TORQUE:	7.5 Nm
TEMPERATURE:	-20°C - +100°C

APPROVALS:	
US	UL RECOGNIZED
CANADA	C-UL RECOGNIZED

PART NUMBER	COLOR	SEALING RANGE
PCG-3/4	GRAY	.551 - .708 [13 - 18 MM]
PCG-3/4R	GRAY	.354 - .630 [9 - 16 MM]
PCG-3/4-B	BLACK	.551 - .708 [13 - 18 MM]
PCG-3/4R-B	BLACK	.354 - .630 [9 - 16 MM]

UNLESS OTHERWISE SPECIFIED: DIMENSIONS ARE IN INCHES		NAME DWM	MENCOM CORPORATION	
MATERIAL		DRAWN	TITLE:	
FINISH		CHECKED	SIZE DWG. NO.	
DO NOT SCALE DRAWING		ENG APPR.	B PCG-3/4	
		MFG APPR.	SCALE: 2:1 WEIGHT:	
		Q.A.	SHEET 1 OF 1	
		COMMENTS:	REV A	

PROPRIETARY AND CONFIDENTIAL
THE INFORMATION CONTAINED IN THIS DRAWING IS THE SOLE PROPERTY OF MENCOM CORPORATION. ANY REPRODUCTION IN PART OR AS A WHOLE WITHOUT THE WRITTEN PERMISSION OF MENCOM CORPORATION IS PROHIBITED.

8 7 6 5 4 3 2 1

D
C
B
A

D
C
B
A

8 7 6 5 4 3 2 1