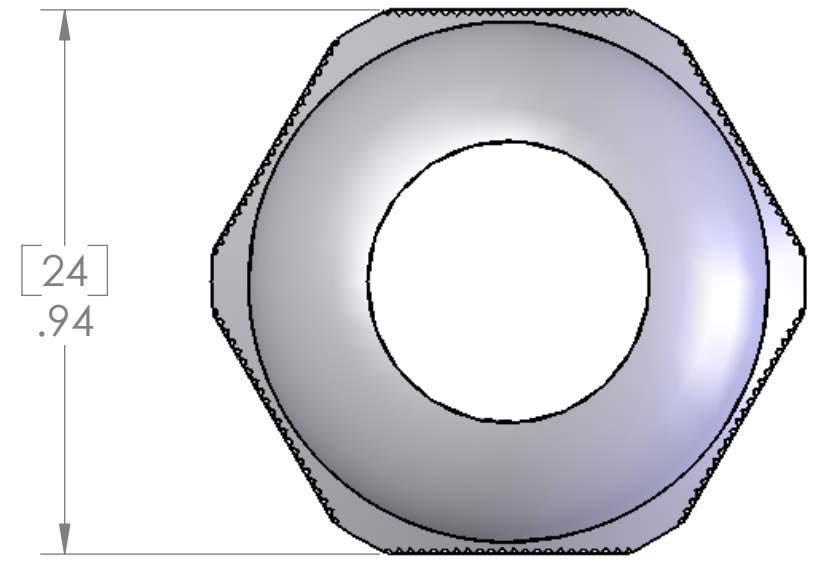
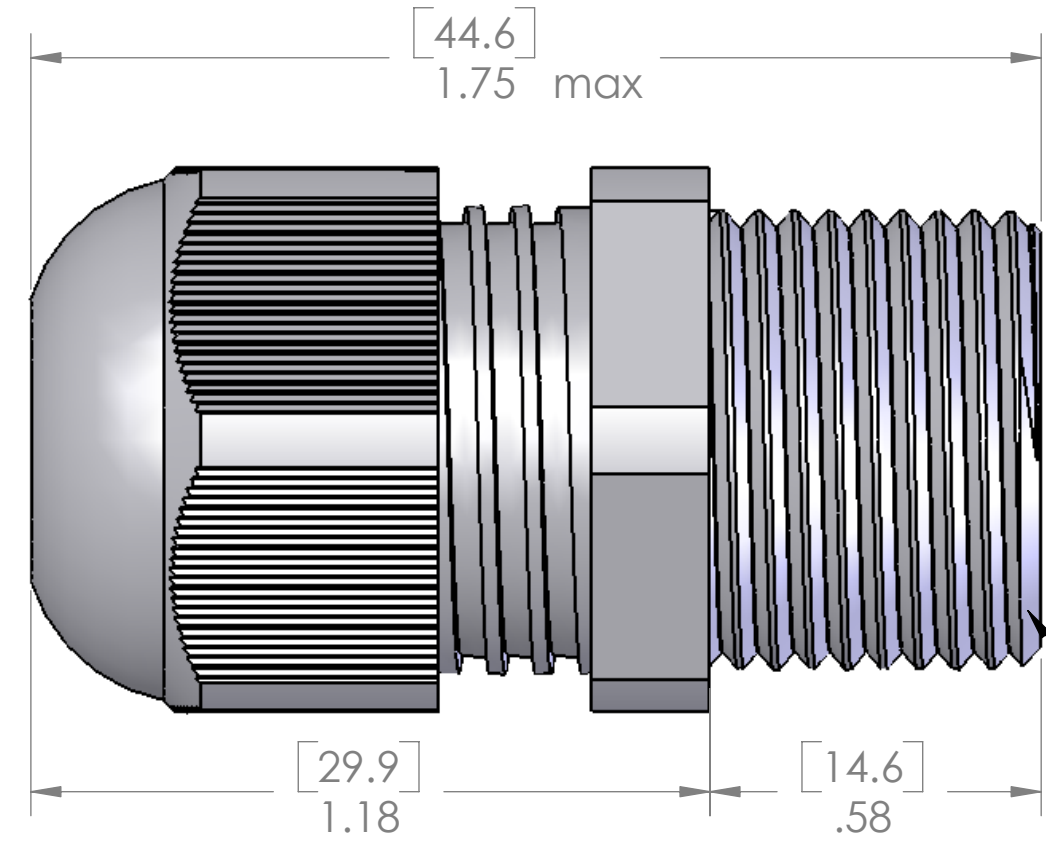


REVISIONS		
REV.	DESCRIPTION	DATE
A	REDRAWN IN SW	6/1/2006



[24]
.94



[44.6]
1.75 max

[29.9]
1.18

[14.6]
.58

1/2"-14 NPT

NO O-RING IS NECESSARY TO OBTAIN IP68 SEAL. CRUSH RIBS ON THE UNDERSIDE OF HEX WILL PROVIDE THE SEAL.

SEAL RATED TO: IP68

MATERIALS	
BODY:	GRAY POLYAMIDE
GROMMET:	NEOPRENE

SPECIFICATIONS:	
TIGHTENING TORQUE:	3.75 Nm
TEMPERATURE:	-20°C - +100°C

APPROVALS:	
US	UL RECOGNIZED
CANADA	C-UL RECOGNIZED

PART NUMBER	COLOR	SEALING RANGE
PCG-1/2X	GRAY	.197-.354in [5-9mm]
PCG-1/2Y	GRAY	.236-.472in [6-12mm]
PCG-1/2X-B	BLACK	.197-.354in [5-9mm]
PCG-1/2Y-B	BLACK	.236-.472in [6-12mm]

PROPRIETARY AND CONFIDENTIAL
THE INFORMATION CONTAINED IN THIS DRAWING IS THE SOLE PROPERTY OF MENCOM CORPORATION. ANY REPRODUCTION IN PART OR AS A WHOLE WITHOUT THE WRITTEN PERMISSION OF MENCOM CORPORATION IS PROHIBITED.

SPECIFICATIONS	DO NOT SCALE DRAWING
----------------	----------------------

UNLESS OTHERWISE SPECIFIED:
DIMENSIONS ARE IN INCHES AND [MM]

MATERIAL

FINISH

NAME	MENCOM CORPORATION	
DRAWN	DWM	TITLE:
CHECKED		
ENG APPR.		
MFG APPR.		
Q.A.		
COMMENTS:		
SIZE	DWG. NO.	REV
B	PCG-1/2Y	A
SCALE: 3:1	WEIGHT:	SHEET 1 OF 1