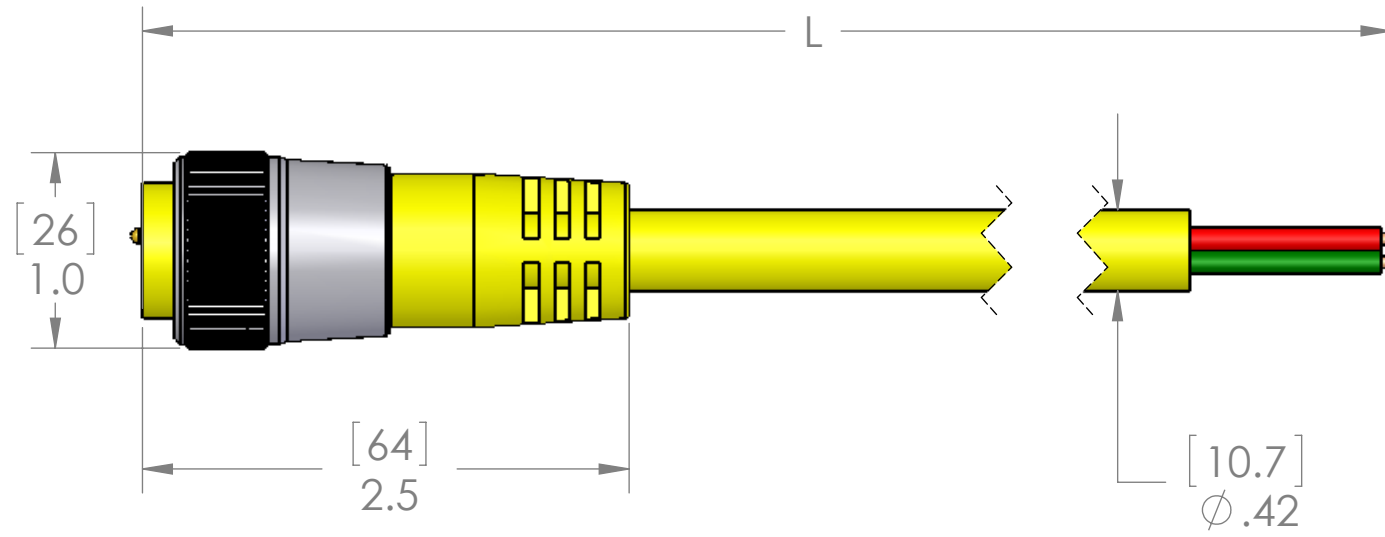


PIN #	COLOR
1	BLACK
2	WHITE
3	RED
4	GREEN / YELLOW

REVISIONS		
REV.	DESCRIPTION	DATE
A	REDRAWN IN SW	7/21/2005
B	chg to ext coupling	11/27/2013



7/8-16 UN2B
FEMALE
THREAD



P/N	L	STD?
MIN-4MP-3	36" [0.9m]	YES
MIN-4MP-6	72" [1.8m]	YES
MIN-4MP-8	96" [2.4m]	NO
MIN-4MP-12	144" [3.7m]	YES
MIN-4MP-15	180" [4.6m]	NO
MIN-4MP-20	240" [6.1m]	YES
MIN-4MP-30	360" [9.1m]	YES
MIN-4MP-40	480" [12.2m]	NO
MIN-4MP-50	600" [15.2m]	YES
MIN-4MP-60	720" [18.3m]	NO
MIN-4MP-100	1200" [30.5m]	NO

PARTS LISTED AS BEING NOT STANDARD
MAY REQUIRE MINIMUM ORDERS

MATERIALS	
BODY:	YELLOW PVC
CONTACTS:	GOLD PLATED COPPER ALLOY
CABLE:	16/4 STOOW YELLOW
COUPLING:	NICKEL PLATED BRASS

APPROVALS:	
US	UL LISTED
CANADA	C-UL LISTED

PROPRIETARY AND CONFIDENTIAL
THE INFORMATION CONTAINED IN THIS
DRAWING IS THE SOLE PROPERTY OF
MENCOM CORPORATION. ANY
REPRODUCTION IN PART OR AS A WHOLE
WITHOUT THE WRITTEN PERMISSION OF
MENCOM CORPORATION IS
PROHIBITED.

VOLTS	600V
AMPS	10A
TEMP	105C
SPECIFICATIONS	

UNLESS OTHERWISE SPECIFIED: DIMENSIONS ARE IN INCHES AND [MM]	DRAWN	NAME
	CHECKED	DWM
	ENG APPR.	
	MFG APPR.	
	Q.A.	
	COMMENTS:	
MATERIAL		
FINISH		
DO NOT SCALE DRAWING		

MENCOM CORPORATION		
TITLE: 4 PL MAL PLUG 16AWG		
SIZE B	DWG. NO. MIN-4MP-ZZ	REV B
SCALE: 1:1	WEIGHT:	SHEET 1 OF 1