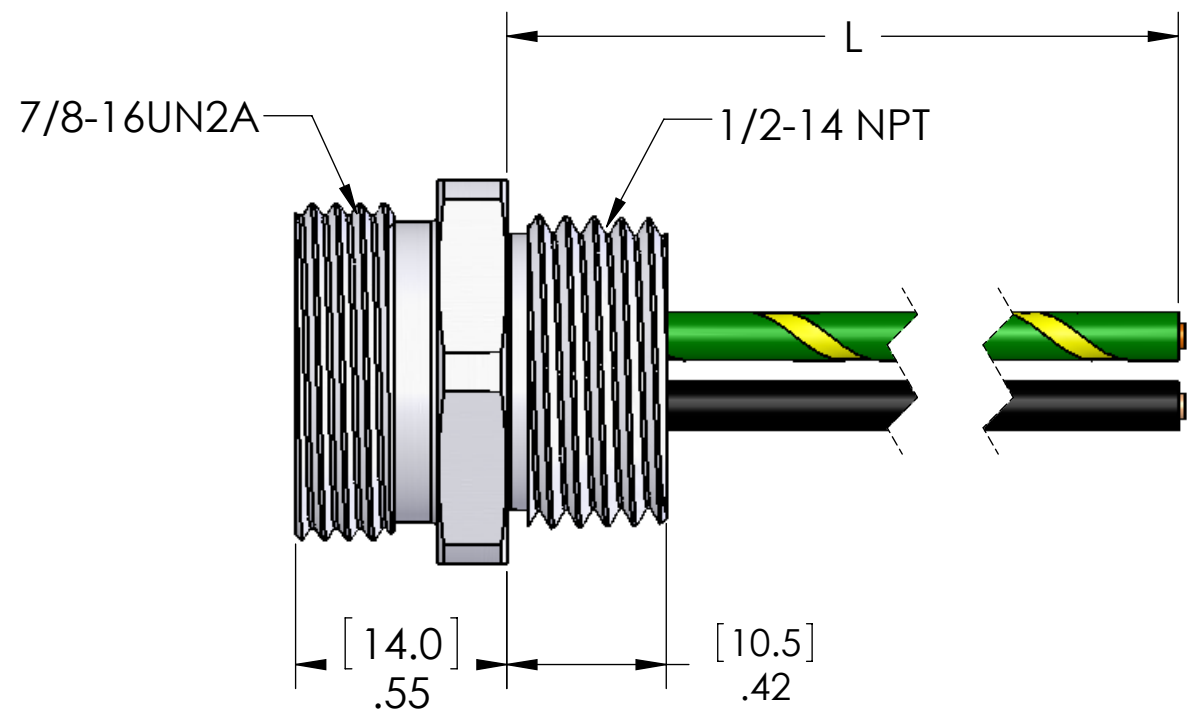
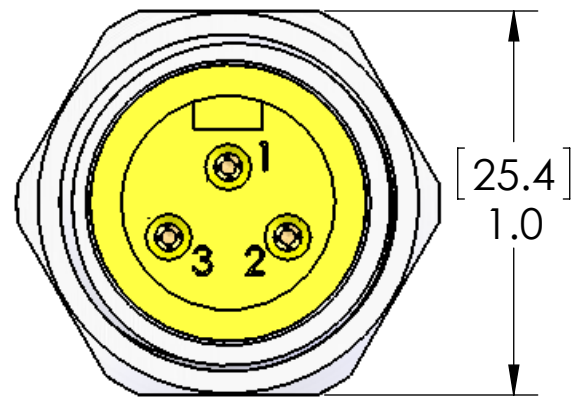


PIN #	COLOR
1	GREEN / YELLOW
2	BLACK
3	WHITE

REVISIONS			
REV.	DESCRIPTION	DATE	APPROVED
A	REDRAWN IN SW	8/31/2004	



P/N	L
MIN-3FR-1	12" [0.3m]
MIN-3FR-2	24" [0.6m]
MIN-3FR-3	36" [0.9m]
MIN-3FR-4	48" [1.2m]
MIN-3FR-5	60" [1.5m]
MIN-3FR-6	72" [1.8m]
MIN-3FR-8	96" [2.4m]
MIN-3FR-10	120" [3.0m]
MIN-3FR-15	180" [4.6m]
MIN-3FR-20	240" [6.1m]

O-RING AND LOCKNUT ARE SUPPLIED ON LENGTHS OF 24" AND LONGER

MATERIALS	
BODY:	CLEAR ANODIZED ALUMINUM
INSERT:	PVC
CONTACTS:	GOLD PLATED COPPER ALLOY
WIRES:	UL1015 16AWG
LOCKNUT:	ZINC PLATED STEEL
O-RING:	NBR

APPROVALS:	
US	UL LISTED
CANADA	C-UL LISTED

PROPRIETARY AND CONFIDENTIAL
 THE INFORMATION CONTAINED IN THIS DRAWING IS THE SOLE PROPERTY OF MENCOM CORPORATION. ANY REPRODUCTION IN PART OR AS A WHOLE WITHOUT THE WRITTEN PERMISSION OF MENCOM CORPORATION IS PROHIBITED.

VOLTS	600V
AMPS	13A
TEMP	105°C
SPECIFICATIONS	

UNLESS OTHERWISE SPECIFIED:
 DIMENSIONS ARE IN INCHES AND [MM]
 MATERIAL
 FINISH
 DO NOT SCALE DRAWING

NAME	MENCOM CORPORATION
DRAWN	BEM
CHECKED	
ENG APPR.	
MFG APPR.	
Q.A.	
COMMENTS:	

TITLE:		
3 POL FEM RECP.		
SIZE	DWG. NO.	REV
B	MIN-3FR-ZZ	A
SCALE: 2:1	WEIGHT:	SHEET 1 OF 1