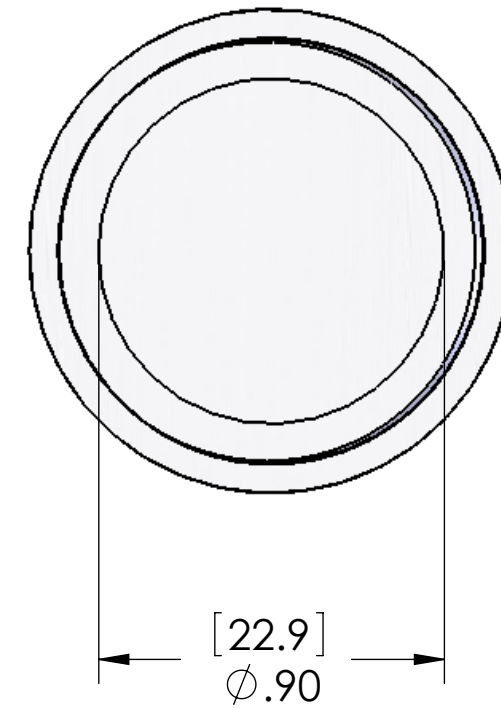
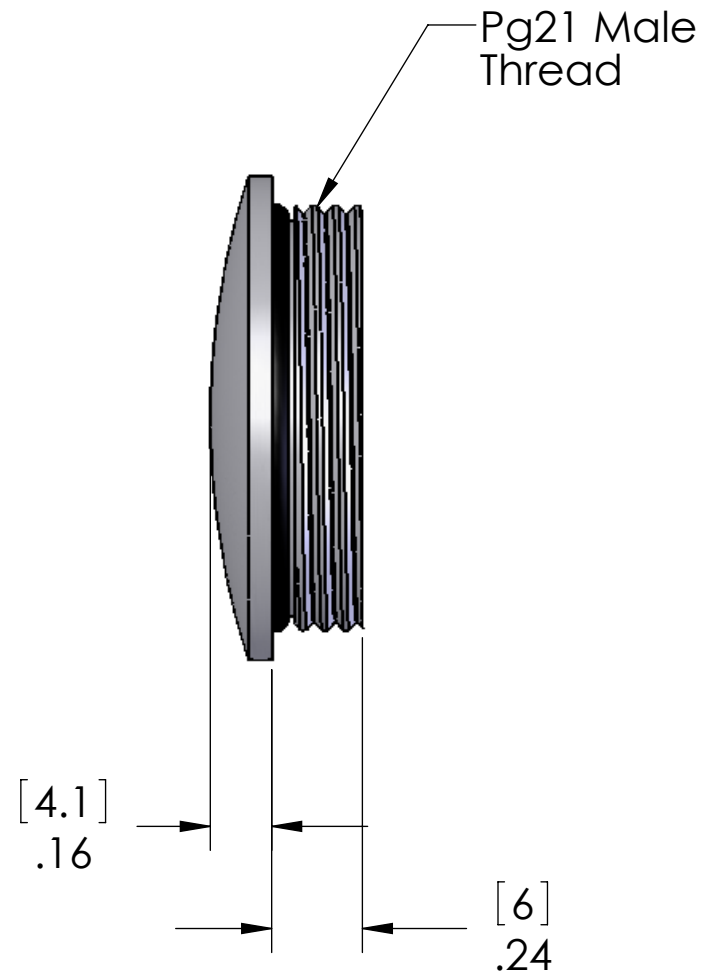
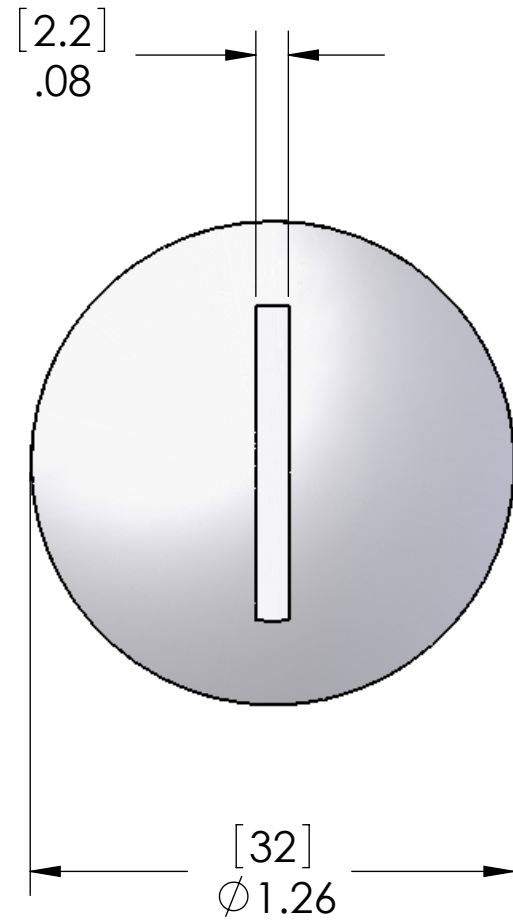


REVISIONS			
REV.	DESCRIPTION	DATE	APPROVED
A	Redrawn in SW	1/31/2007	



MATERIALS:	
BODY:	NICKEL PLATED BRASS
O-RING:	NBR

**PROPRIETARY AND CONFIDENTIAL**  
 THE INFORMATION CONTAINED IN THIS DRAWING IS THE SOLE PROPERTY OF MENCOM CORPORATION. ANY REPRODUCTION IN PART OR AS A WHOLE WITHOUT THE WRITTEN PERMISSION OF MENCOM CORPORATION IS PROHIBITED.

UNLESS OTHERWISE SPECIFIED:		NAME
DIMENSIONS ARE IN INCHES AND [MM]		BEM
		DRAWN
		CHECKED
		ENG APPR.
		MFG APPR.
		Q.A.
		COMMENTS:
MATERIAL		
FINISH		
DO NOT SCALE DRAWING		

MENCOM CORPORATION		
TITLE: PG21 Blanking Plug		
SIZE <b>B</b>	DWG. NO. CRB-21	REV <b>A</b>
SCALE: 2:1	WEIGHT:	SHEET 1 OF 1