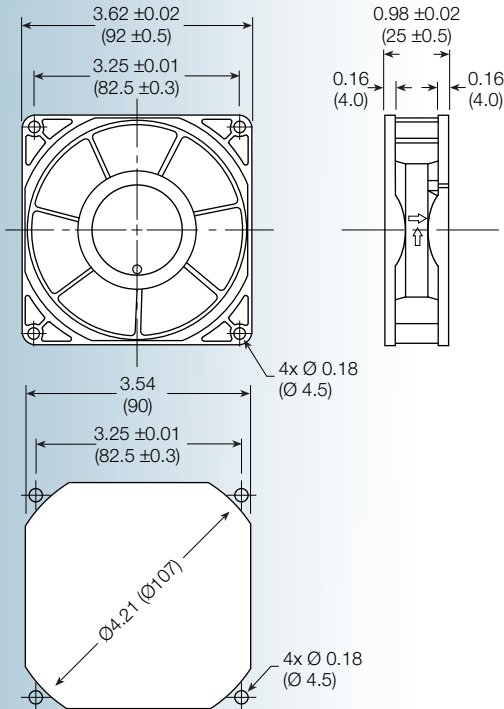
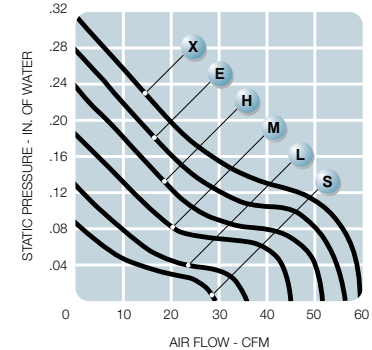


## HIGH PERFORMANCE E9225 series



**Size: (92 x 92 x 25 mm)**  
**3.62 x 3.62 x 0.98 inches**

- Features:** *high performance*
- Construction:** UL94V-0 PBT impeller & frame
- Bearing option:** ball bearing
- Connection:** AWG 24, UL1007 lead wires
- Frame:** flanged
- Protection:** thermal
- Options:** tachometer output;  
locked rotor alarm signal



| Model No. | Rated Voltage<br>V | Current<br>mA |     |     |     | Revolution<br>RPM | Air Volume          |     | Max Static Pressure (H <sub>2</sub> O) |      | Sound Noise<br>dBA | Weight<br>g |
|-----------|--------------------|---------------|-----|-----|-----|-------------------|---------------------|-----|--|------|--------------------|-------------|
|           |                    | 5             | 12  | 24  | 48  |                   | M <sup>3</sup> /Min | CFM | MM                                     | INCH |                    |             |
| E9225S    | 5/12/24            | 270           | 98  | 60  | -   | 2,000             | 0.82                | 29  | 2.25                                   | 0.09 | 24                 | 111         |
| E9225L    | 5/12/24            | 400           | 150 | 85  | -   | 2,400             | 0.99                | 35  | 3.25                                   | 0.13 | 27                 | 111         |
| E9225M    | 5/12/24            | 560           | 235 | 125 | -   | 2,800             | 1.24                | 44  | 4.75                                   | 0.19 | 32                 | 111         |
| E9225H    | 12/24/48           | -             | 360 | 168 | 65  | 3,200             | 1.44                | 51  | 6.00                                   | 0.24 | 36                 | 111         |
| E9225E    | 12/24/48           | -             | 489 | 255 | 85  | 3,600             | 1.58                | 56  | 7.00                                   | 0.28 | 39                 | 111         |
| E9225X    | 12/24/48           | -             | 550 | 300 | 130 | 4,000             | 1.70                | 60  | 8.00                                   | 0.32 | 43                 | 111         |