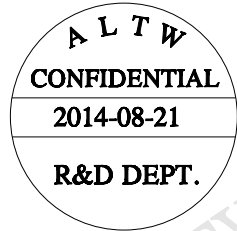
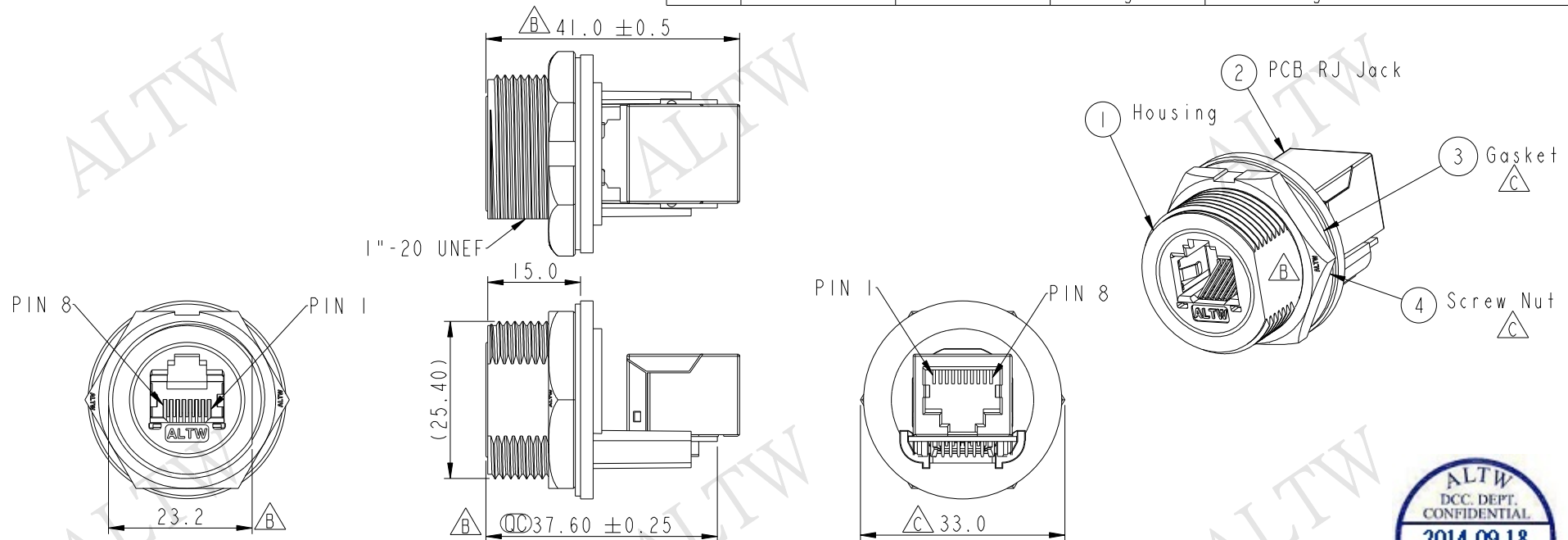
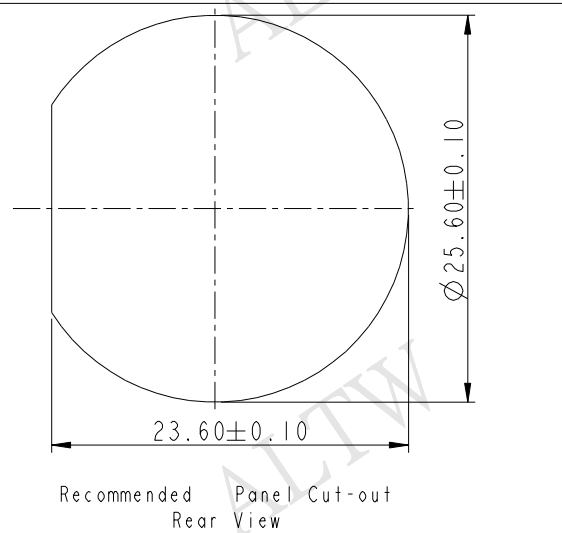


REV.	ECN NO.	DATE	SIGN	DESCRIPTION
B	LENI450011	2014-04-28	Tom_gu	Change D Cut
C	LE31490099	2014-08-21	Feng_Li	Change Nut and Gasket



- Note:
- * CC Important Dimension
 - * Waterproof Rate : IP67
 - * Housing : Nylon+GF, BLACK
 - * Screw Nut : Nylon+GF, BLACK
 - * Gasket : Silicone, Gray.
 - * PCB: FR-4
 - * Jack : PBT Polyester, Black
 - * Panel Thickness Max: 3.0mm
 - * Screw torsion value range: 8~15kgf-cm



UNIT: mm		TITLE RJ45, D SIZE, MATED WP			ITEM NO RDP-5SPFFH-SCM7001	DRAWN BY Feng_Li	DATE 2014-08-21
		TOLERANCE .X ±0.25 .XX ±0.1 .XXX ±0.05 ANGLES ±1°	SCALE 1:1	SIZE A4	SHEET 1 OF 1	DWG NO RDP-5SPFFH-SCM7001	CHECKED BY Tom
		REV. C	WC-REV. A.6	CC : Inspection item	CUSTOMER ALTW	APPROVED BY Victor	DATE 2014-08-21

Amphenol LTW
安費諾亮泰企業股份有限公司

THIS DOCUMENT IS SUBJECT TO CHANGE WITHOUT NOTICE. IT IS CONFIDENTIAL AND A PROPERTY OF Amphenol LTW. DISCLOSURE TO THIRD PARTY HAS TO BE AUTHORIZED BY Amphenol LTW.