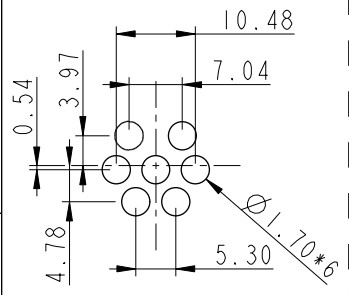
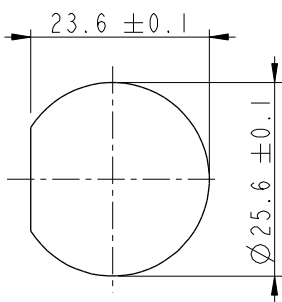
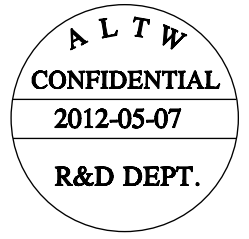
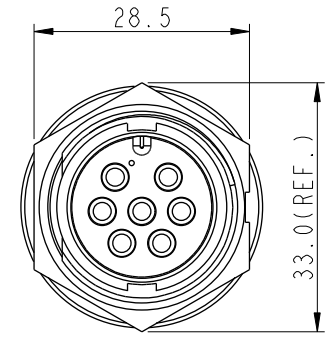
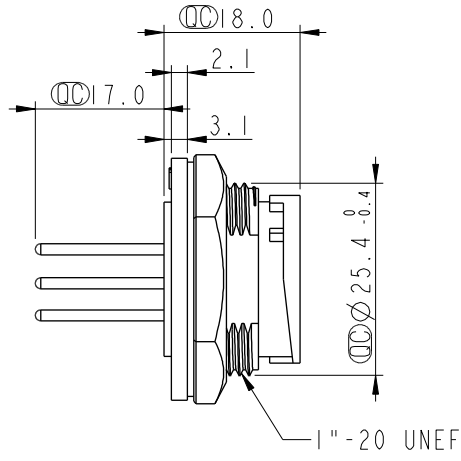
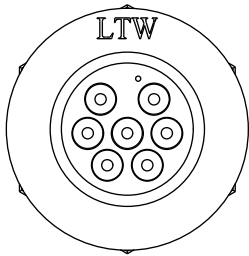


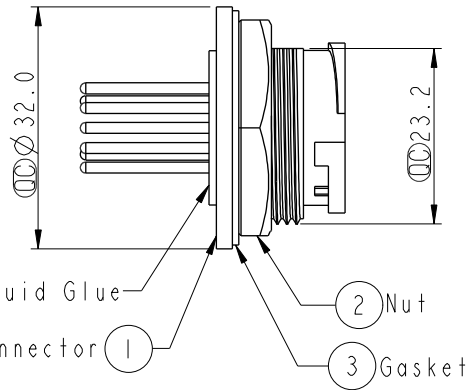
REV.	ECN NO.	DATE	SIGN	DESCRIPTION
B	LEN-8A0197	2008/09/15	Shin	Add Notes



5Pin Male Connector
Male Pin PCB Layout



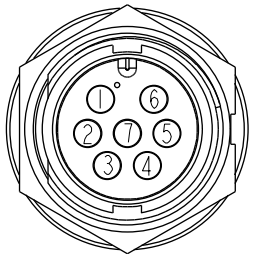
Recommended
Panel Cut-Out



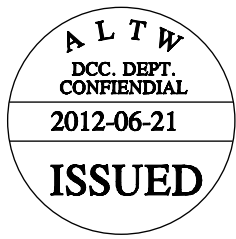
With Liquid Glue
Connector (1) Nut (2) Gasket (3)

NOTE:

- * \varnothing Important Dimension.
- * Waterproof Rate: IP67
- * Housing: Black, Nylon+GF
- * Pin: Copper Alloy, Gold Plated
- * Gasket: Black, EPDM
- * Nut: Black, Nylon+GF
- \triangle * Use Waterproof Cap or Dust Cap
Panel Thickness Max: 3.0mm
- \triangle * Use without Waterproof Cap or Dust Cap
Panel Thickness Max: 4.0mm



Pin Assignments
Front View



UNIT: mm		
TOLERANCE	.X ±0.25	
	.XX ±0.1	
	.XXX ±0.05	
ANGLES	±1°	

TITLE Lock Type Connector For Panel Mount 7Pin Male Connector Male Pin(20A)			
SCALE	SIZE	SHEET	OF
1:1	A4	1	1
REV.	WC-REV.	\varnothing : Inspection item	
B	A.2		

Amphenol LTW
安費諾亮泰企業股份有限公司

ITEM NO.	DC-07PMMP-LC7001	DRAWN BY	SamChang	DATE	2012-05-07
DWG NO.	DC-07PMMP-LC7001	CHECKED BY	Jeffrey	DATE	2012-06-21
CUSTOMER	ALTW	APPROVED BY	Lion	DATE	2012-06-21

THIS DOCUMENT IS SUBJECT TO CHANGE WITHOUT NOTICE. IT IS CONFIDENTIAL AND A PROPERTY OF AMPHENOL LTW. DISCLOSURE TO THIRD PARTY HAS TO BE AUTHORIZED BY AMPHENOL LTW.