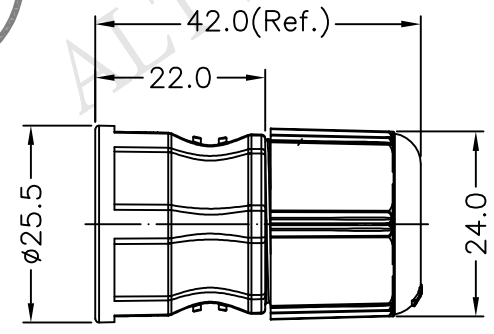
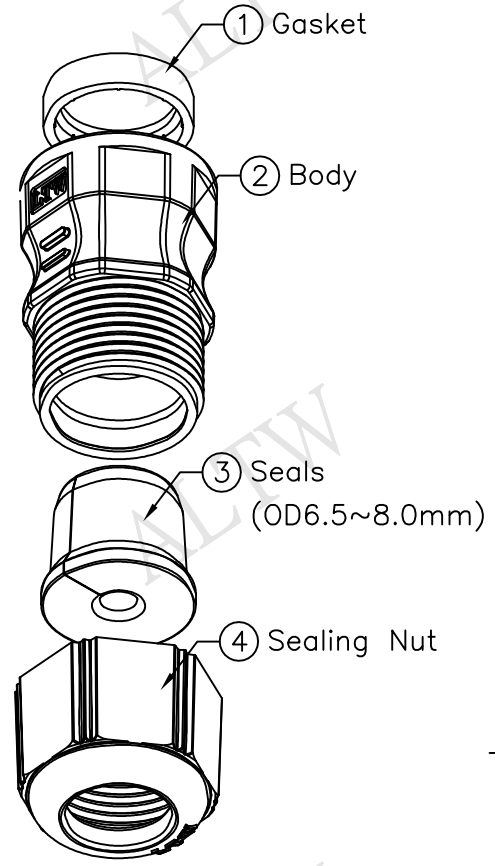
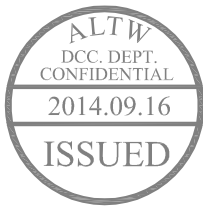
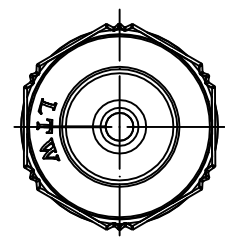
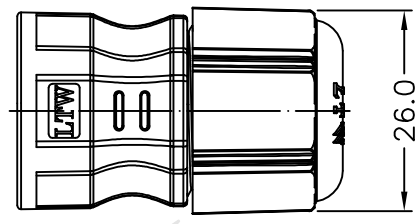
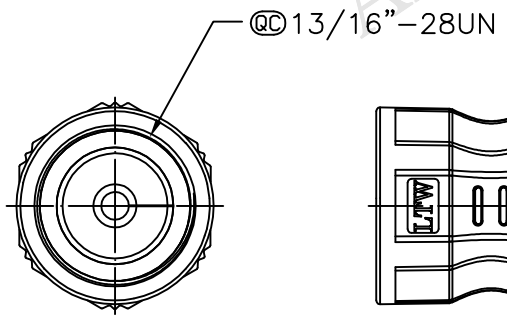


REV.	ECN NO.	DATE	SIGN	DESCRIPTION
A	Initial Release	2014/06/28	Tom gu	Change Rev.1 To Rev.A



- Note:
- * Ⓞ Important Dimension TO Check
 - * Waterproof Rating: IP 67
 - * Cable OD: $\phi 6.5 \sim \phi 8.0 \text{mm}$
 - * Gasket: Silicone, Gray.
 - * Seals: Silicone, Gray.
 - * Body: PPO, Black.
 - * Sealing Nut: PC+PBT, Black.
 - * ①②③④ 組裝放入一個 PE 袋 (Assembly Put In One PE Bag)
 - * ④ 鎖 2~3 牙即可
 - * 線材必須為充實型，建議鎖合力為 8~10Kg



UNIT:mm		TITLE 13/16"-28UN Ass'y (After Plug In)OD 6.5~8.0mm		Amphenol LTW 安費諾亮泰企業股份有限公司		ITEM NO CSG-CSP003		DRAWN BY Tom		DATE 2014/06/28	
TOLERANCE .X ±0.25 .XX ±0.1 .XXX ±0.05 ANGLES ±1'		SCALE Free				SHEET 1 OF 1		DWG NO CSG-CSP003		CHECKED BY Ludi	
		REV. A		SIZE A4		CUSTOMER ALTW		APPROVED BY Victor		DATE 2014/06/28	
		④ :Inspection Item								8 FMW0702-01-01A2	

THIS DOCUMENT IS SUBJECT TO CHANGE WITHOUT NOTICE. IT IS CONFIDENTIAL AND A PROPERTY OF Amphenol LTW. DISCLOSURE TO THIRD PARTY HAS TO BE AUTHORIZED BY Amphenol LTW.