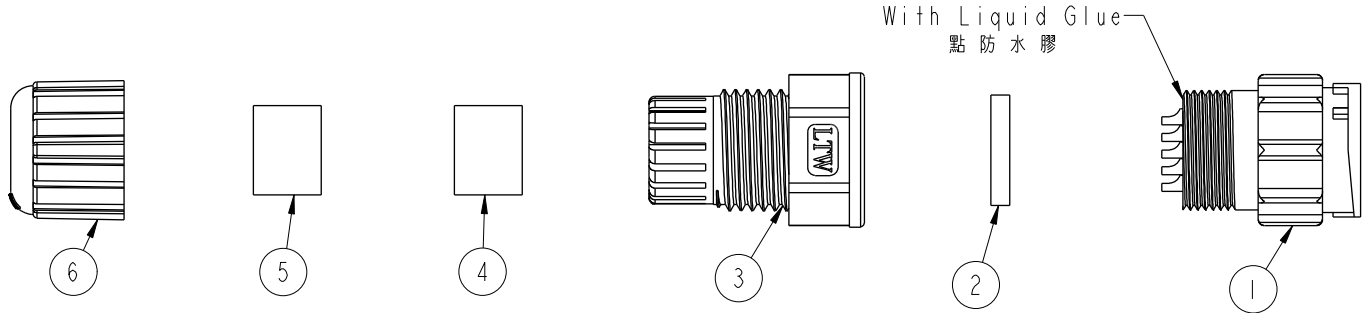
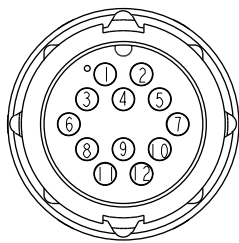
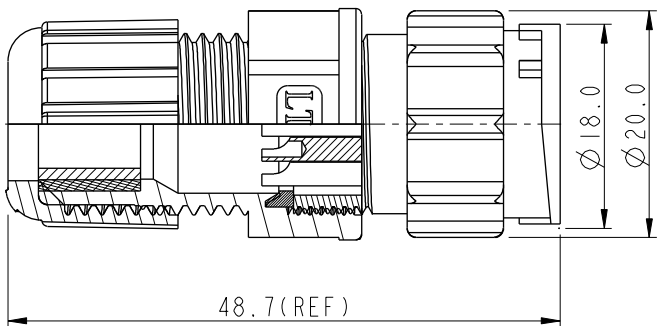


REV.	ECN NO.	DATE	SIGN	DESCRIPTION

ALTW
DCC. DEPT.
CONFIDENTIAL
2012-05-31
ISSUED



ALTW
CONFIDENTIAL
2012-04-16
R&D DEPT.



Pin Assignments
Front View

Note:

- * \varnothing Important Dimension To Check.
- * Waterproof Rate : IP67
- * Seal B1 for Cable OD: $\varnothing 7.6\text{mm} \sim \varnothing 9.6\text{mm}$
(防水墊圈B1線徑: $\varnothing 7.6\text{mm} \sim \varnothing 9.6\text{mm}$)
- * Seal B2 for Cable OD: $\varnothing 4.0\text{mm} \sim \varnothing 7.6\text{mm}$
(防水墊圈B2線徑: $\varnothing 4.0\text{mm} \sim \varnothing 7.6\text{mm}$)
- * One Set Unassembled in One PE Bag
(每一組未組裝, 放置於一個PE袋, 並封口)
- * Housing: Black, Nylon+GF
- * Male Pin: Copper Alloy, Gold Plated
- * Gasket: Black, EPDM
- * Clamp Ring: Black, Nylon
- * Seals1: Black, EPDM
- * Seals2: Black, EPDM
- * Sealing Nut: Black, Nylon
- * Liquid Glue: Clear

A	UNIT: mm			TITLE	Circular Middle Size 12Pin (5A) F Conn Lock For Assy		ITEM NO.	CD-12BMMA-LL7001	DRAWN BY	SamChang	DATE	2012-04-16	
	TOLERANCE	.X ± 0.25	.XX ± 0.1	.XXX ± 0.05	ANGLES $\pm 1^\circ$	SCALE	1:1	SIZE	A4	SHEET	1	OF	1
	REV.	A	WC-REV.	A.2	\varnothing Inspection item	Amphenol LTW 安費諾亮泰企業股份有限公司		DWG NO.	CD-12BMMA-LL7001	CHECKED BY	Jeffrey	DATE	2012-05-31
	CUSTOMER	ALTW	APPROVED BY	Lion	DATE	2012-05-31	8	FWW10702-01-02A1					

THIS DOCUMENT IS SUBJECT TO CHANGE WITHOUT NOTICE. IT IS CONFIDENTIAL AND A PROPERTY OF Amphenol LTW. DISCLOSURE TO THIRD PARTY HAS TO BE AUTHORIZED BY Amphenol LTW.