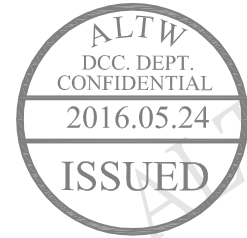
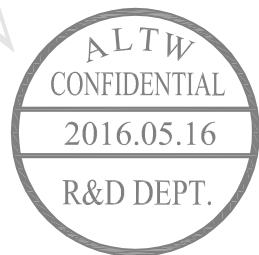
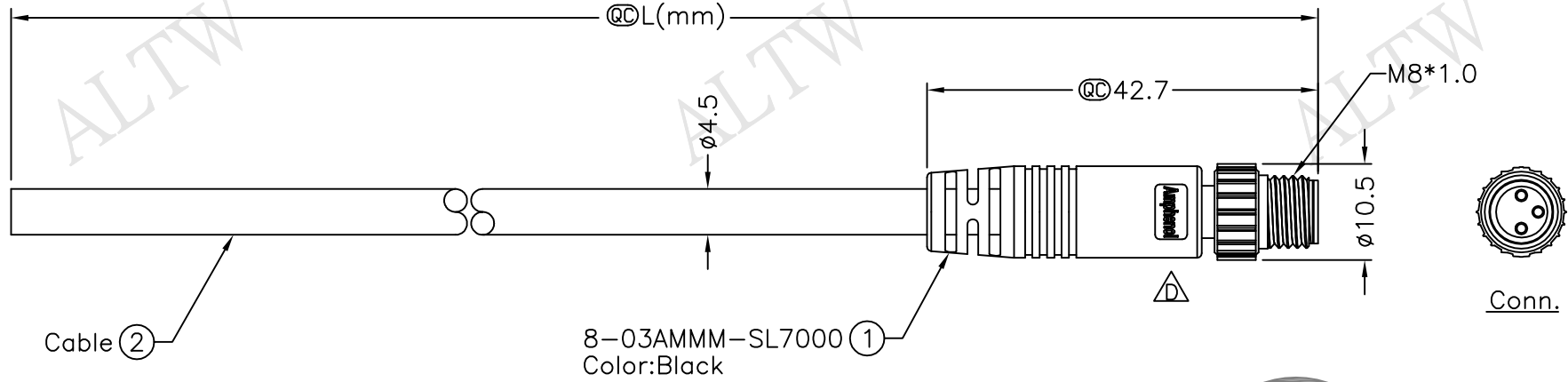
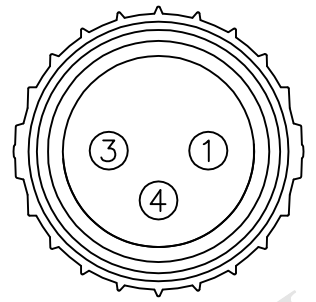


| REV. | ECN NO. | DATE | SIGN | DESCRIPTION |
|------|----------------|------------|-------|--|
| B | LEN-780068 | 2007/04/27 | Ferds | Change Pin Out Color & Apply New Standard. |
| C | LEN-920207~211 | 2009/02/04 | Vicky | Update the drawing. |
| D | LEN1650510~514 | 2016/05/16 | Vicky | Update Logo |



8-03AMMM-SL7BXX
 XX:01~99Meters
 01:01Meter
 02:02Meters
 :
 :
 99:99Meters
 Cable Length(L):01~99Meters

- Note:
- * @C Important Dimension.
 - * Waterproof Rate:IP67.
 - * Connector:Black,PU.
 - * Male Pin:Copper Alloy,Gold Plated.
 - * Cable:22AWG*3C+Insulation,Black,PU,OD=4.5mm.
 - * Cable Length Tolerance: 01M:±40mm
 02M~05M:±60mm
 06M~10M:±100mm
 11M~30M:±200mm
 31M~99M:±500mm



Pin Assignments
Front View

| | | |
|-------|------------|---|
| 4 | Black | 黑 |
| 3 | Blue | 藍 |
| 1 | Brown | 棕 |
| Conn. | Wire Color | |
| | Pin Out | |

| | |
|-----------|---------|
| UNIT:mm | |
| TOLERANCE | ±0.5 mm |

| | | |
|-------|-----------------------------|-----------------------------|
| TITLE | M8 Conn | |
| | Cable Screw 3P M Conn M Pin | |
| SCALE | Free | SHEET 1 OF 1 |
| REV. | D | SIZE A4 @C :Inspection Item |

Amphenol LTW
 安費諾亮泰企業股份有限公司

| | | |
|----------|-------------|------|
| ITEM NO | DRAWN BY | DATE |
| DWG NO | CHECKED BY | DATE |
| CUSTOMER | APPROVED BY | DATE |

THIS DOCUMENT IS SUBJECT TO CHANGE WITHOUT NOTICE. IT IS CONFIDENTIAL AND A PROPERTY OF Amphenol LTW. DISCLOSURE TO THIRD PARTY HAS TO BE AUTHORIZED BY Amphenol LTW.