

# TE1

## TE1

Panel cut-out (mm)  $\varnothing 16.2$  or  $\varnothing 22.5$  with adapter option

- Characteristics
- NC contact with 3 mm contact gap
  - < 20 mm behind panel depth
  - rotary, reset mechanism
  - sealed IP65
  - 1NC + 1NO or 2 NC circuits

Rating 250 VAC, 2 A

Dimensions (mm)  $\varnothing 25/\varnothing 30$

Actuator ■ red mushroom cap

Approvals EN 60947-1, EN 60947-5-1, EN 60947-5-5



## Specifications

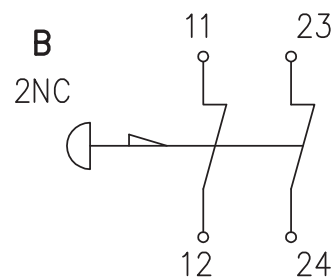
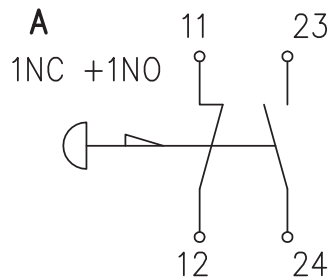
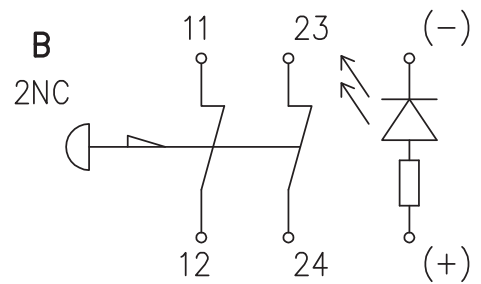
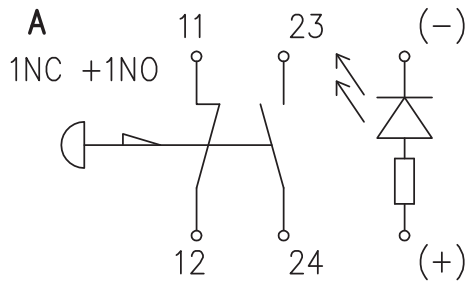
Mechanism	Latching positive action
Contact gap	≥ 3 mm
Actuating force	Approximately 30 N
Mounting	Central fixing with metal lock nut
Protection	IP65 (Pollution degree 3, Overvoltage category III)
Illumination	LED 24V dc, 10 mA
Temperature range °C	-25°C to +55°C
Contact material	Silver nickel with 0.4 µm gold plating
Contact resistance	<30 mOhm (new unused product)
Contact configuration	1 NC + 1 NO or 2 NC independent circuits
Terminals	Faston 4 × 2.8 mm × 0.5 mm (switching circuits) pre wired (illumination circuit)

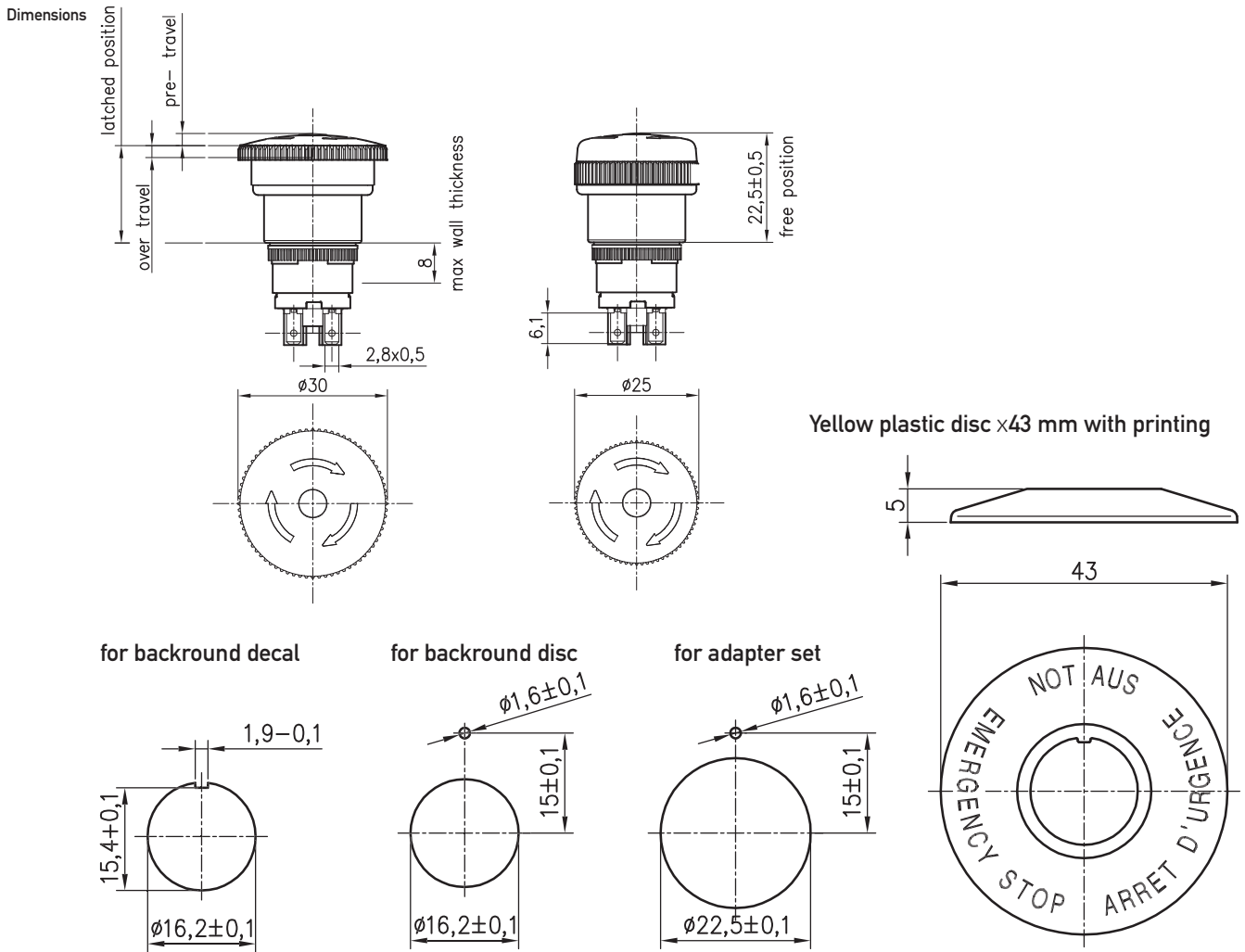
## Recommended maximum electrical ratings

Voltage (max)	Resistive load (A)	Approval
250 VAC	2.0	EN 60947
Electrical life	6,050 cycles at 2A, 250V, AC15	
Mechanical life	30,000 cycles	

Circuit diagram

Illuminated





## Ordering Reference

Basic type	TE1	Example: TE1			80	203	1	01
Reset mechanism	80	Rotary						
Circuit configuration	203	1 normally closed and 1 normally open circuit						
	204	2 normally closed circuits						
	1	Non-illuminated						
	2	Illuminated						
Actuator style	01	ø25 mm						
	02	ø30 mm						
Accessories	TH893002000	Yellow plastic disc ø43 mm with printing	For 16.2 mm panel cut-out					
	TH893000000	Yellow plastic adaptor ø43 mm with printing	For 22.5 mm panel cut-out					