

Wallplates
Weatherproof Covers for Receptacles and Switches

HUBBELL

Vertical, for FS/FD Box Mounting

Ordering Information

Description	Catalog Number	UPC
For switches and receptacles with face diameters of 1.68-1.72 in. (42.7-43.7),	HBL3393	783585809090

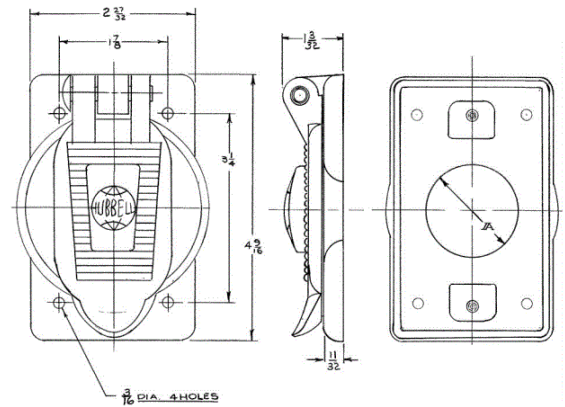


Listings

UL Listed
CSA Certified

Specifications

Material	Aluminum
Gasket	Neoprene
Spring	Stainless steel
Hinge Pin	Stainless steel



Online Resources

Customer Use Drawing
eCatalog

Dimensions in Inches (mm)

Hubbell Wiring Device-Kellems • Hubbell Incorporated (Delaware) • 40 Waterview Drive • Shelton, CT 06484

Phone (800) 288-6000 • Fax (800) 255-1031 • Specifications subject to change without notice.

