

Twist-Lock® Devices

20A, 250V, 2 Pole, 3 Wire Grounding Spring Termination Single Flush Receptacle

HUBBELL

Features

- Faster termination time
- No need for screwdriver and torque wrench
- Spring Termination eliminates strand relaxation
- High-impact, abuse-resistant nylon face
- Face color coding by voltage facilitates locating and mating of proper devices

Ordering Information

Description	Device Color	UPC	Catalog Number
Nylon face, back wire.	Black	783585569550	HBL2320ST

Listings

Listed to UL 498
Certified to CSA C22.2 No.42

Specifications

Face	Nylon
Base	Nylon
Contacts	Brass
Spring	Steel
Mounting Strap	Brass

Performance

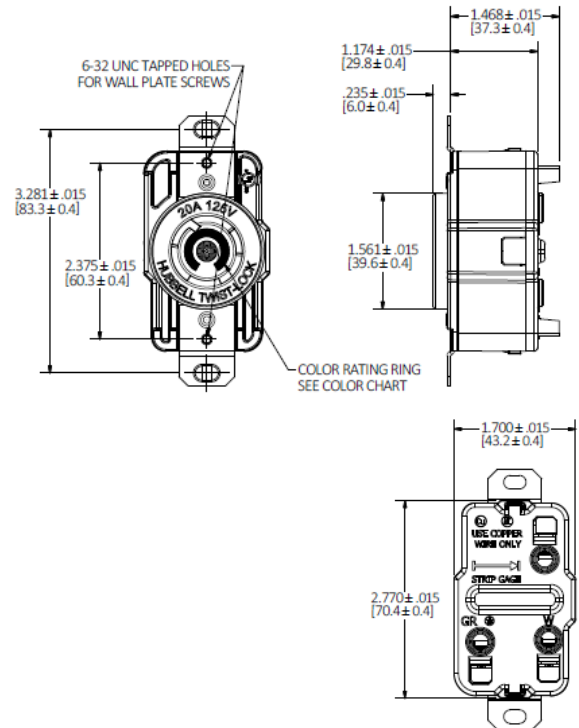
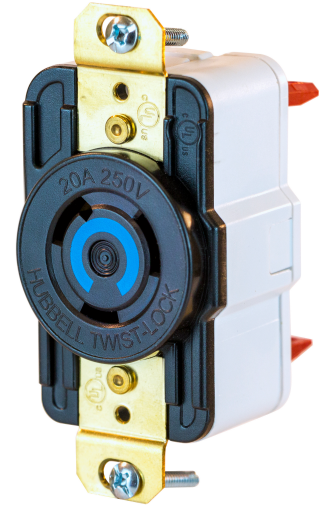
Electrical	
Current Interrupting	Certified for current interrupting at full rated current
Dielectric Voltage	Withstands 2,000V minimum
Mechanical	
Terminal Accommodation	Solid/Stranded #14 AWG to #12 AWG
Terminal Identification	Terminals identified in accordance with UL 498

Environmental

Flammability	V2 or better per UL94/CSA 22.2 No.0.17
Moisture Resistance	IP20 Suitability
Operating Temperatures	Maximum Continuous 75°C; Minimum -40°C (w/o impact)



20A 250V
NEMA L6-20R
UL/CSA
2 HP



Complementary Products

Plug	HBL2321
Wallplate or Weatherproof Cover	1.60" Opening
Switched Enclosure	SETL3

Online Resources

Customer Use Drawing
eCatalog
Installation Instructions

Dimensions in Inches (mm)

Hubbell Wiring Device-Kellems • Hubbell Incorporated (Delaware) • 40 Waterview Drive • Shelton, CT 06484

Phone (800) 288-6000 • Fax (800) 255-1031 • Specifications subject to change without notice.

