

Switches, Single Pole, Double Throw

15A, 120-277V AC

HBL[®] Extra Heavy Duty Industrial Switch

HUBBELL

Features

- Large brass binding head screws with deep slots
- Requires key to actuate the switch
- Strip gauge for accurate wiring

Ordering Information

Description	Toggle Color	UPC Number	Catalog Number
Momentary Contact, Key guide, Two Circuit, Center Off, Back and Side Wired, Locking	Black	783585432809	HBL1556L

Listings

UL Listed
CSA Certified
Fed. Spec. W-S-896

Specifications

Top Material	Thermoplastic
Base Material	Thermoset, Blue
Key Guide	Metallic, Black
Contacts	Silver Alloy
Terminal Screws	Brass
Ground Screw	Brass (Green)

Performance

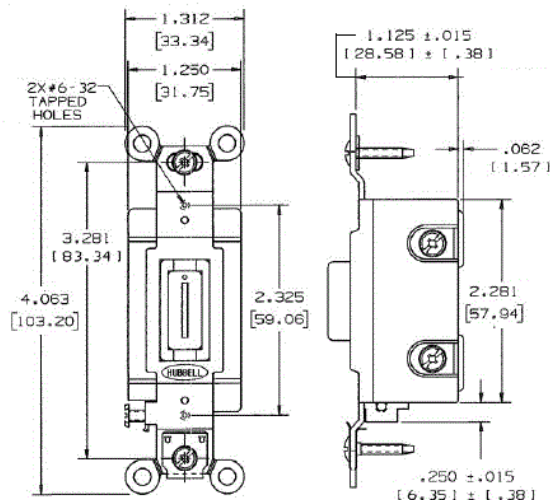
Electrical	
Dielectric Voltage	Withstands 1500V AC minimum for 1 minute
Max. Continuous Current	15A
Max. Working Voltage	277V AC
Overload	Minimum 4.8 times rated current for 100 cycles
Temperature Rise	30°C maximum at rated current

Mechanical

Terminal Accommodations	#14 AWG min. - #10 AWG max. Solid and stranded copper wire only
-------------------------	---

Environmental

Flammability	UL 94V-2
Operating Temperature	Max. continuous: 75°C; Min. continuous: -40°C without impact



Complementary Products

Nylon Wall Plate	NP1BK
Stainless Steel Wall Plate	SS1
Replacement Key	HBL1209

Online Resources

Customer Use Drawing
eCatalog
Installation Instructions

Dimensions in Inches (mm)

Hubbell Wiring Device-Kellems • Hubbell Incorporated (Delaware) • 40 Waterview Drive • Shelton, CT 06484

Phone (800) 288-6000 • Fax (800) 255-1031 • Specifications subject to change without notice.

