

CLAMP-COVER, TYPE 4X

INDUSTRY STANDARDS

UL 50, 50E Listed; Type 3R, 4, 4X, 12; File No. E27525
 cUL Listed per CSA C22.2 No 94; Type 3R, 4, 4X, 12; File No. E27525
 UL 508A Listed; Type 3R, 4, 4X, 12; File No. E61997
 cUL Listed per CSA C22.2 No 94; Type 3R, 4, 4X, 12; File No. E61997

NEMA/EEMAC Type 3R, 4, 4X, 12, 13
 CSA File No. 42184: Type 4, 4X, 12
 IEC 60529, IP66
 Meets NEMA Type 3RX requirements

APPLICATION

This lightweight enclosure protects components and controls in corrosive indoor or outdoor environments.

SPECIFICATIONS

- Type 5052 H-32 aluminum, 0.080-in. (2-mm) thick
- Seams continuously welded and ground smooth
- Stainless steel screws and clamps on four sides of cover
- Oil-resistant gasket
- Weldnuts provided for mounting optional panels

FINISH

Enclosures are unpainted. Cover and sides of body have smooth brushed finish. Optional aluminum panels are unpainted. Optional steel panels are painted white. Optional conductive panels are available.

ACCESSORIES

See also Accessories.

- Industrial Corrosion Inhibitors
- Fast-Operating Clamp-Cover Junction Box Clamp Panels for Junction Boxes
- Junction Box and Wall-Mount Enclosure Swing-Out Panel Kit
- Terminal Block Kit Assembly for Junction Boxes Overview

MODIFICATION AND CUSTOMIZATION

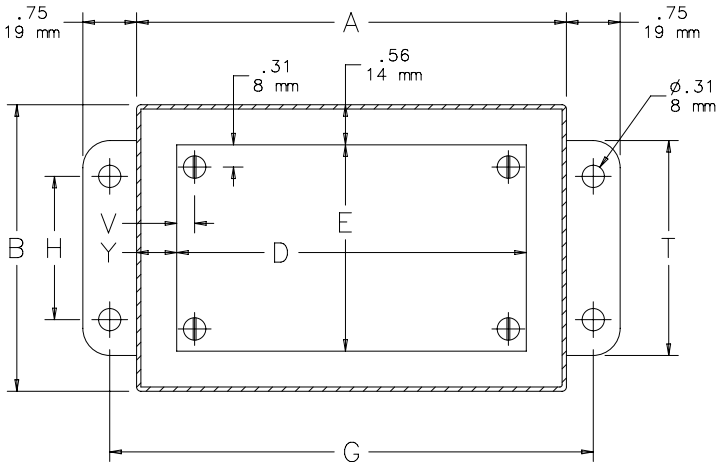
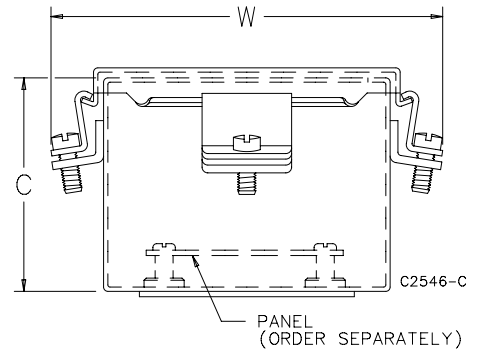
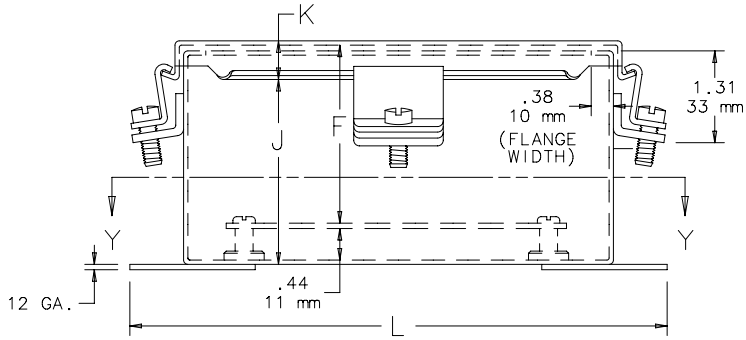
Hoffman excels at modifying and customizing products to your specifications. Contact your local Hoffman sales office or distributor for complete information.

BULLETIN: A51A

Standard Product

Catalog Number	AxBxC in./mm	UL Listed	Aluminum Panel	Steel Panel	Conductive Panel	Panel Size D x E in./mm	Mounting G x H in./mm	Overall L x W in./mm	F in./mm	J in./mm	M in./mm	N in./mm	T in./mm	V in./mm	Y in./mm
A604NFAL	6.00 x 4.00 x 3.00 152 x 102 x 76	508A	A6P4AL	A6P4	A6P4G	4.88 x 2.88 124 x 73	6.75 x 2.00 171 x 51	7.50 x 5.38 191 x 137	2.50 64	2.50 64	1.38 35	2.38 60	3.00 76	0.31 8	0.56 14
A806NFAL	8.00 x 6.00 x 3.50 203 x 152 x 89	50, 50E	A8P6AL	A8P6	A8P6G	6.75 x 4.88 171 x 124	8.75 x 4.00 222 x 102	9.50 x 7.38 241 x 187	3.00 76	3.00 76	2.38 60	3.38 86	5.00 127	0.25 6	0.62 16
A606NFAL	6.00 x 6.00 x 4.00 152 x 152 x 102	50, 50E	A6P6AL	A6P6	A6P6G	4.88 x 4.88 124 x 124	6.75 x 4.00 171 x 102	7.50 x 7.38 191 x 187	3.50 89	3.50 89	2.38 60	2.38 60	5.00 127	0.31 8	0.56 14
A1008NFAL	10.00 x 8.00 x 4.00 254 x 203 x 102	50, 50E	A10P8AL	A10P8	A10P8G	8.75 x 6.88 222 x 175	10.75 x 6.00 273 x 152	11.50 x 9.38 292 x 238	3.50 89	3.50 89	3.38 86	1.00 25	7.00 178	0.25 6	0.62 16
A1210NFAL	12.00 x 10.00 x 5.00 305 x 254 x 127	50, 50E	A12P10AL	A12P10	A12P10G	10.75 x 8.88 273 x 225	12.75 x 8.00 324 x 203	13.50 x 11.38 343 x 289	4.50 114	4.50 114	2.00 51	1.50 38	9.00 229	0.25 6	0.62 16
A1412NFAL	14.00 x 12.00 x 6.00 356 x 305 x 152	50, 50E	A14P12AL	A14P12	A14P12G	12.75 x 10.88 324 x 276	14.75 x 10.00 375 x 254	15.50 x 13.38 394 x 340	5.50 140	5.50 140	2.00 51	3.00 76	11.00 279	0.25 6	0.62 16
A1614NFAL	16.00 x 14.00 x 6.00 406 x 356 x 152	50, 50E	A16P14AL	A16P14	A16P14G	14.75 x 12.88 375 x 327	16.75 x 12.00 425 x 305	17.50 x 15.38 445 x 391	5.50 140	5.50 140	3.00 76	1.50 38	13.00 330	0.25 6	0.62 16

Purchase panels separately. Optional stainless steel, composite and aluminum panels are available for most sizes.



SECTION Y-Y

- NOTES: 1. Aluminum panels are .080 (2mm) thick.
 2. Steel panels are 14 gauge.
 3. Stainless steel panel screws are #10-32 pan head.

CLAMP BRACKET LOCATIONS

