

# DC Tubular Solenoid

## Model T3.5x9



1425 Lake Avenue, Woodstock, IL 60098

### Features:

- High performance construction
- Available return spring kit
- DC solenoid applications only
- See TP3.5x9 for push application
- RoHS Compliant
- UL Recognized
- Coil Termination: 6" Wire leads  
28 AWG (standard)



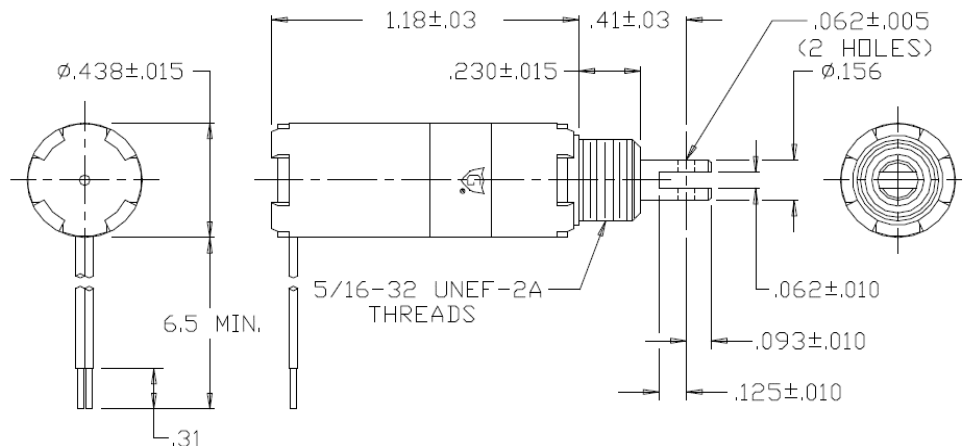
### Electrical:

- Coil Voltages: 6, 12, 24, 48, 110 VDC standard
- Duty Cycle: 100% Continuous, 25% Intermittent, 10% Intermittent, 1% Pulse
- Coil treatment: Tape Wrapped
- Insulation Class: Class A Rating - 105°C (221°F)
- Dielectric Strength: 1500V 60 Hz

### Mechanical:

- Size: 1.13" (L) x 0.44" (D)
- Plunger Diameter: 0.156
- Plunger Guide Material: Plastic
- Mounting: Hex Nut
- Weight: Plunger 0.1 oz, Total 0.6 oz
- Life Expectancy: 1 Million Cycles<sup>1</sup>

<sup>1</sup> - Dependent on load conditions



Solenoid shown energized with plunger fully seated  
Supplied with mounting bracket, hex nut and lock washer shipped loose

### Standard Part Numbers

Model	Part Number	Duty Cycle	Voltage	Resistance <sup>2</sup> (Ω)	Power (W)	Current
T3.5X9-C-12D	A420-062658-05	Cont.	12VDC	60.2	2.5	199 mA
T3.5X9-I-12D	A420-062658-06	Inter.	12VDC	31.1	4.9	386 mA
T3.5X9-C-24D	A420-062658-02	Cont.	24VDC	254	2.4	94 mA
T3.5X9-I-24D	A420-062658-01	Inter.	24VDC	122	5	197 mA

<sup>2</sup> - Coil resistance tolerance +/- 5%

Contact us for custom voltages or duty cycles

### Available Customization:

- Plunger
  - Lead and Connector
  - DC Voltage / Duty Cycle
  - Termination
  - Insulation systems up to class H 180° C (356° F)
- \* Minimum quantities apply

Stroke (in.)	Typical Pull Force Ounces [N] @ 20°C (68°F) (Distance from fully seated position)			HOLDING FORCE Ounces [N]	Power (W)
	0.050	0.125	0.250		
Continuous 100%	0.3 [0.8]	1 [0.3]	0.5 [0.1]	20 [5.6]	2.4
Intermittent 25%	5 [1.4]	2 [0.6]	1 [0.3]	21 [5.8]	4.9
Intermittent 10% <sup>3</sup>	8 [2.2]	3 [0.8]	1.5 [0.4]	31 [8.6]	15.2
Pulse 1% <sup>3</sup>	5.5 [1.5]	4 [1.1]	1 [0.3]	N/A	43.6

Continuous Duty = 100% On Time  
Intermittent Duty 25% = 25% On Time (100 Sec On Max 300 Sec off)  
Intermittent Duty 10% = 10% On Time (10 Sec On Max 90 Sec off)  
Pulse Duty 1% = 1% On Time (1 Sec On Max 99 Sec Off)

<sup>3</sup> - Calculated force values to be verified in application

Optional Return Spring Kit

A490-367460-08



www.kelcoind.com

Information contained in this specification sheet subject to change without notice. Guardian Electric ©

