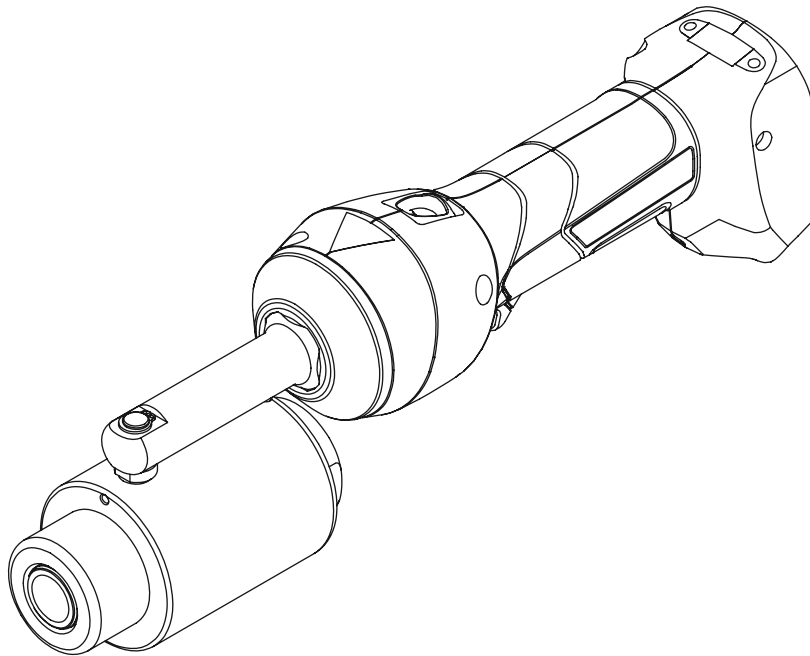


# OPERATION MANUAL



Serial Number



Español..... 15  
Français..... 29

## **Intelli-PUNCH™ Battery-Hydraulic Knockout Driver**



**Read and understand** all of the instructions and safety information in this manual before operating or servicing this tool.

Register this product at [www.greenlee.com](http://www.greenlee.com)

## Table of Contents

Description .....	2
Safety .....	2
Purpose of this Manual .....	2
Important Safety Information .....	3–5
Identification .....	6
Specifications .....	6
Setup and Operation .....	7–11
Capacity and Draw Stud Selection Guide.....	12
Maintenance.....	13
Troubleshooting.....	14

## Description

The Greenlee Intelli-PUNCH™ Battery-Hydraulic Knockout Driver is a hand-held, self-contained punch driver intended to be used with Greenlee punches, dies, and draw studs for punching holes through plastic, fiberglass, aluminum, and steel.

This tool is designed to be used with the following Greenlee accessories:

- Standard punches, dies, and draw studs
- Slug-Buster® punches, dies, and draw studs
- Slug-Splitter® punches, dies, and draw studs
- SPEED PUNCH® Knockout System
- Electronic connector panel punches
- Special shape punches, dies, and draw studs (“D”, Double “D”, Key, Square, Rectangular, and Oiltight with notches)

Standard, Slug-Buster, Electronic Connector Panel Punches, and special shape punches can punch holes through plastic, fiberglass, aluminum, and steel. Slug-Splitter punches, dies, and draw studs are capable of punching through all of these materials as well as stainless steel. Refer to the “Capacity and Draw Stud Selection Guide” in this manual for detailed information on punch sizes and maximum material thickness. Do not exceed the capacity of the punch.

This tool is protected by U.S. Patent No. 6,276,186, 6,401,515, 7,086,979, and 7,254,982.

## Safety

Safety is essential in the use and maintenance of Greenlee tools and equipment. This manual and any markings on the tool provide information for avoiding hazards and unsafe practices related to the use of this tool. Observe all of the safety information provided.

## Purpose of this Manual

This manual is intended to familiarize all personnel with the safe operation and maintenance procedures for the following Greenlee tool:

Intelli-PUNCH™ Battery-Hydraulic Knockout Driver

Keep this manual available to all personnel.

Replacement manuals are available upon request at no charge at [www.greenlee.com](http://www.greenlee.com).

All specifications are nominal and may change as design improvements occur. Greenlee Textron Inc. shall not be liable for damages resulting from misapplication or misuse of its products.

Kwik-Stepper, Slug-Buster, Slug-Splitter, and SPEED PUNCH are registered trademarks and Intelli-PUNCH™ is a trademark of Textron Innovations Inc.



**Do not discard this product or throw away!**  
For recycling information, go to [www.greenlee.com](http://www.greenlee.com).

# KEEP THIS MANUAL

## IMPORTANT SAFETY INFORMATION



### SAFETY ALERT SYMBOL

This symbol is used to call your attention to hazards or unsafe practices which could result in an injury or property damage. The signal word, defined below, indicates the severity of the hazard. The message after the signal word provides information for preventing or avoiding the hazard.

#### ⚠ **DANGER**

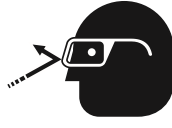
Immediate hazards which, if not avoided, **WILL** result in severe injury or death.


#### ⚠ **WARNING**


Hazards which, if not avoided, **COULD** result in severe injury or death.


#### ⚠ **CAUTION**


Hazards or unsafe practices which, if not avoided, **MAY** result in injury or property damage.


	<p style="text-align: center;"><b>⚠ WARNING</b></p> <p>Wear eye protection when operating or servicing this tool.</p> <p>Failure to wear eye protection could result in serious eye injury from flying debris or hydraulic oil.</p>
--	---

	<p style="text-align: center;"><b>⚠ WARNING</b></p> <p>Skin injection hazard:</p> <p>Do not use hands to check for oil leaks. Oil under pressure easily punctures skin. If injured, seek medical attention immediately to remove oil.</p> <p>Failure to observe this warning could result in serious injury, gangrene, or death.</p>
--	--

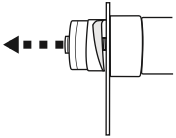
	<p style="text-align: center;"><b>⚠ WARNING</b></p> <p>Do not use solvents or flammable liquids to clean the tool body. Solvents or flammable liquids could ignite and cause serious injury or property damage.</p>
--	---

	<p style="text-align: center;"><b>⚠ WARNING</b></p> <p>Read and understand all of the instructions and safety information in this manual before operating or servicing this tool.</p> <p>Failure to observe this warning could result in severe injury or death.</p>
---	--

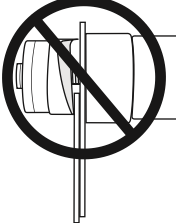
	<p style="text-align: center;"><b>⚠ WARNING</b></p> <p>Pinch points:</p> <ul style="list-style-type: none"> <li>• Remove battery before changing dies, adapters, or jaws.</li> <li>• Keep hands away from the tool head when punching.</li> </ul> <p>Failure to observe these warnings could result in severe injury or death.</p>
--	--

	<p style="text-align: center;"><b>⚠ WARNING</b></p> <p>Electric shock hazard:</p> <p>This tool is not insulated. When using this unit on or near energized electrical lines, use proper personal protective equipment.</p> <p>Failure to observe this warning could result in severe injury or death.</p>
---	---

## IMPORTANT SAFETY INFORMATION

	<p style="text-align: center;"><b>⚠ WARNING</b></p> <p>A component failure could throw broken parts.</p> <ul style="list-style-type: none"> <li>• Do not allow anyone to stand in front of the punch or behind the hydraulic ram.</li> <li>• Close access doors or covers on any equipment that is in line with the punch or ram.</li> </ul> <p>Failure to observe this warning could result in severe injury or death.</p>
---	---

<p><b>⚠ WARNING</b></p>
<ul style="list-style-type: none"> <li>• Inspect tool for wear or damage. Replace any worn, damaged, or missing components with Greenlee replacement parts. A damaged or improperly assembled tool can break and strike nearby personnel with sufficient force to cause severe injury or death.</li> <li>• Inspect the punch, die, draw stud, and spacers for wear or damage. Replace any worn or damaged items with Greenlee replacement parts. Replace any punches that have dull cutting surfaces.</li> </ul>

	<p style="text-align: center;"><b>⚠ WARNING</b></p> <p>Do not attempt to punch a hole through two or more layers of material. This will bend or break the draw stud, and could throw parts with great force.</p> <p>Failure to observe this warning could result in severe injury or death.</p>
--	---

<p><b>⚠ WARNING</b></p>
<p>Do not exceed the rated capacity of this tool. Exceeding the rated capacity could cause a component failure, which could throw broken parts with great force.</p> <p>Failure to observe this warning could result in severe injury or death.</p>

<p><b>⚠ WARNING</b></p>
<p>Set up the tool properly. An improper setup could cause a component to fail and strike nearby personnel with great force.</p> <ul style="list-style-type: none"> <li>• <i>Use only Greenlee punches, dies, and draw studs. Other manufacturers' components might not withstand the forces generated by this punch driver.</i></li> <li>• <b>Manual Punch Setup:</b> The punch must be threaded completely onto the draw stud. All of the punch threads must be engaged by the draw stud threads. Incomplete assembly could cause a component failure.</li> <li>• <b>Hydraulic Punch Setup:</b> The draw stud must be threaded completely into the driver head. The punch must be threaded completely onto the draw stud. All of the punch threads must be engaged by the draw stud threads. Incomplete assembly could cause a component failure.</li> <li>• <b>SPEED PUNCH Setup:</b> The draw stud must be threaded completely into the driver head. The SPEED LOCK must fully engage and completely close on the draw stud. Incomplete assembly could cause a component failure.</li> </ul> <p>Failure to observe these warnings could result in severe injury or death.</p>

<p><b>⚠ WARNING</b></p>
<p>Do not dispose of batteries in a fire. They will vent fumes and may explode.</p> <p>Failure to observe this warning could result in severe injury from harmful fumes or burns from flying debris.</p>

## **IMPORTANT SAFETY INFORMATION**

### **⚠ CAUTION**

- Do not use this tool for continuous use. After 30 to 40 cycles, allow the tool to cool for 15 minutes.
- Do not secure this tool in a vise. This tool is designed for hand-held operation.
- This tool may be used in damp or wet environments; however, air-drying is recommended before use if the tool becomes soaked. Damage may result when the tool is operated prior to thorough drying when electrical components are soaked.
- Use this tool for the manufacturer's intended purpose only.

Failure to observe these precautions may result in injury or property damage.

### **⚠ CAUTION**

Do not allow anything to contact the battery terminals.

- Do not immerse the batteries in liquid. Liquid may create a short circuit and damage the battery. If batteries are immersed, contact your service center for proper handling.
- Do not place the battery into a pocket, tool pouch, or tool box with conductive objects. Conductive objects may create a short circuit and damage the battery.
- Do not place a battery on moist ground or grass. Moisture may create a short circuit and damage the battery.

Failure to observe these precautions may result in injury or property damage.

### **⚠ CAUTION**

- Do not store the battery at more than 122 °F (50 °C) or less than -4 °F (-20 °C). Damage to the battery can result.
- Do not use another manufacturer's charger. Other manufacturers' chargers may overcharge and damage the battery.
- Do not attempt to open the battery. It contains no user-serviceable parts.

Failure to observe these precautions may result in injury or property damage.

### **⚠ CAUTION**

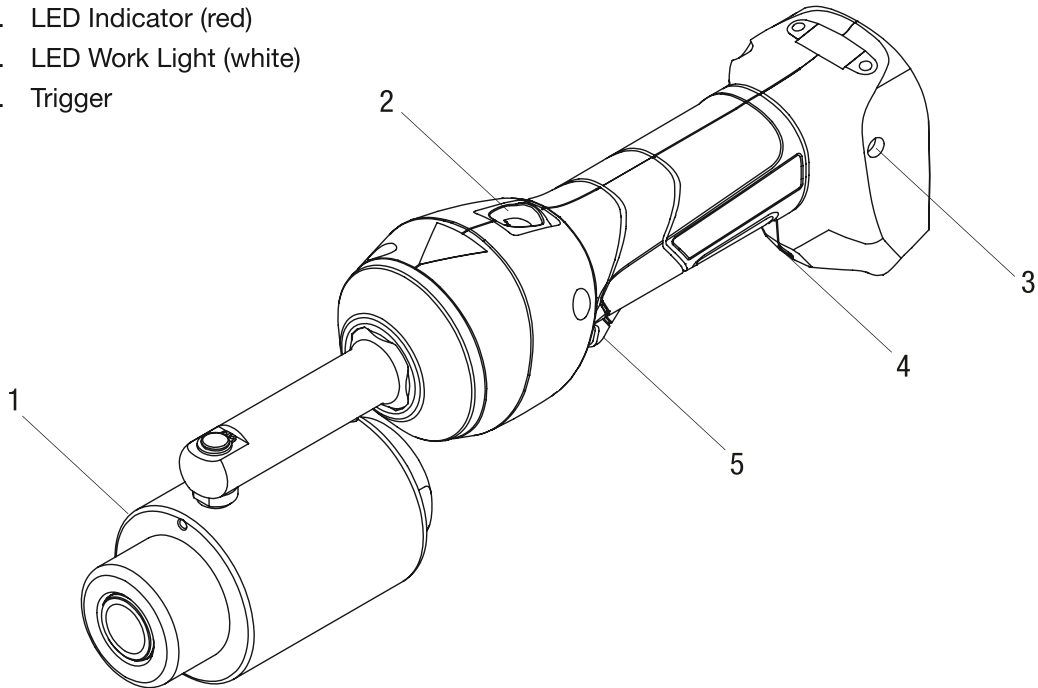
Do not perform any service or maintenance other than as described in this manual. Injury or damage to the tool may result.

Failure to observe this precaution may result in injury and property damage.

*Note: Keep all decals clean and legible, and replace when necessary.*

**Identification**

- 1. Punching Head
- 2. Return Button
- 3. LED Indicator (red)
- 4. LED Work Light (white)
- 5. Trigger



**Specifications**

Knockout driver (without 18V, 3.0 Ah lithium-ion battery)

Length.....	14.4" (366 mm)
Width .....	3.1" (80 mm)
Depth.....	4.8" (122 mm)
Weight.....	4.7 lb (2.1 kg)
Force.....	11.2 tons (100 kN)
Hydraulic Oil .....	52057878 biodegradable hydraulic fluid
Recommended Operating Temperature Range.....	5 °F to 122 °F (-15 °C to 50°C)
Battery Charger.....	Read the instructions supplied with the battery charger

52047087	120 VAC corded adapter	52049201	120 VAC, 18V charger
52047088	230 VAC corded adapter	52049202	230 VAC, 18V charger
52047083	18V, 3.0 Ah lithium-ion battery	52049204	12 VDC, 18V charger

## Setup and Operation

### Punching

*Note: The Intelli-PUNCH™ driver is a microprocessor-controlled hydraulic punching tool with an automatic retraction feature that will engage after punch completion to save time and save the operator from having to manually retract the tool. However, care should be taken to make sure punches and dies are not bottomed out and that the tool releases upon punch completion. There are circumstances that can cause the automatic retraction function to fail.*

1. Refer to the illustrations on the following pages for proper punch, die, spacer, and draw stud setup and assembly.
  2. Select the appropriate punch, die, and draw stud for the desired hole size.
  3. Determine and mark the exact location for the hole. Use a Greenlee Kwik-Stepper® step bit to drill a pilot hole slightly larger than the draw stud being used.
  4. Depress the Return button to reset the ram to the starting position.
  5. Thread the appropriate draw stud completely into the ram in the punching head.
  6. If needed, place an appropriately sized spacer on the draw stud.
  7. Slide the corresponding die onto the draw stud. The open end of the die should face away from the punching head.
  8. Insert the draw stud through the pilot hole in the material being punched.
  9. Thread the punch (cutting edge facing the material) onto the draw stud until the punch assembly is tight on the material surface.
- Note:*
- The 3-1/2" to 6" punches require a punch sleeve prior to assembly to the draw stud.
  - All of the punch threads must be engaged with the draw stud threads. If any punch threads are not engaged, remove spacer and reassemble the setup.
  - For SPEED PUNCH®, slide the punch onto the draw stud (cutting edge facing the material) and secure the SPEED LOCK to the draw stud.
10. Press and hold the trigger to complete the punch cycle. The Intelli-PUNCH™ driver will automatically retract when it senses the punch is completely through the material.

## IMPORTANT

- Under certain circumstances, such as with thin sheet steel or very low punch forces, this unit may not initiate auto-retract or auto-retract may be initiated prematurely. Care should be taken to not bottom out punches, which will cause damage after punch completion. In the event auto-retract is prematurely activated, retry punching the hole.
- The auto-retract feature can be overridden at any time to stop ram retraction by depressing the trigger.
- If overpressure is reached during the punch cycle, the tool will automatically shut off and return the ram to the starting position. This may indicate the operation attempted is beyond the capacity of the tool. The overpressure condition will also occur when the tool reaches full stroke. (Care should be taken to avoid driving this tool to full stroke, as this may cause damage to the punch and die).

11. Unscrew the punch from the draw stud. Slide the die off the draw stud and remove any slugs from the die.

*Note: For SPEED PUNCH®, remove the SPEED LOCK. Slide the punch off the draw stud; then slide the die off the draw stud and remove any slugs from the die.*

### Charging the Battery

Read the instructions supplied with the battery charger.

### LED Work Light (white)

This LED automatically turns on when the trigger is pulled. It remains on for 10 seconds after the trigger is released.

### LED Indicator (red)

This tool is equipped with a special circuit board incorporating several important features to inform the user about the current status of the unit. The LED signals in the following cases:

What happens	Signal	What it means
Constant light for 20 seconds at end of cycle	■■■■	Battery charge is below 17 V at beginning of cycle
Tool will <b>not</b> start, and constant light for 20 seconds when trigger is released	■■■■	Battery charge is below 16 V at beginning of cycle
Tool will stop, and constant light for 20 seconds after trigger is released	■■■■	Battery voltage drops below 13 V during cycle
Tool will stop, and flashing light for 20 seconds when trigger is released	●●●●	Motor current exceeds 20 A during cycle
		Circuit has become too hot

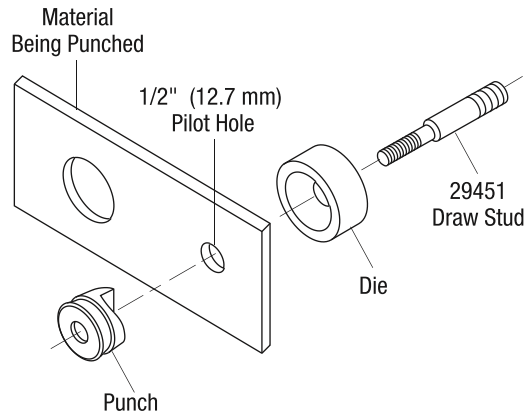
**Setup and Operation (cont'd)**

**STAINLESS STEEL**

*Note: Refer to "Capacity and Draw Stud Selection Guide" on page 12 for capacity, draw stud, and hardware.*

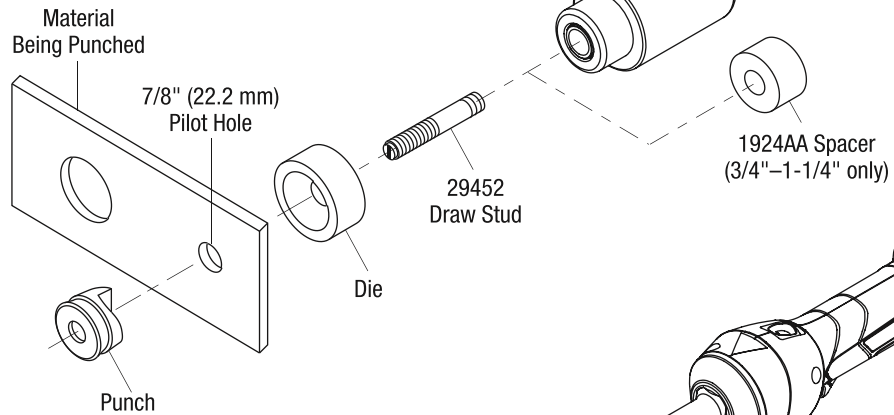
**Punching Stainless Steel**

- 1/2" Conduit Size  
(dia. 0.885" / 22.5 mm)



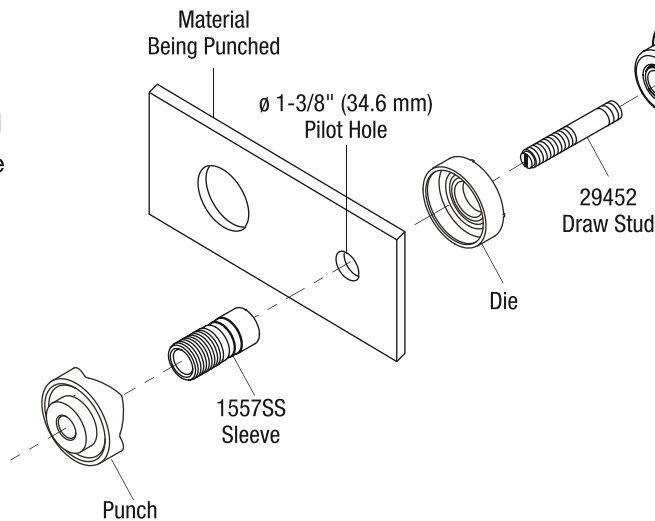
**Punching Stainless Steel**

- 3/4" to 3" Conduit Size  
(dia. 1.115" to 3.539" / 28.3 mm to 89.9 mm)



**Punching Stainless Steel**

- 3-1/2" to 4" Conduit Size  
(dia. 4.011" to 4.544" / 102.7 mm to 115.4 mm)





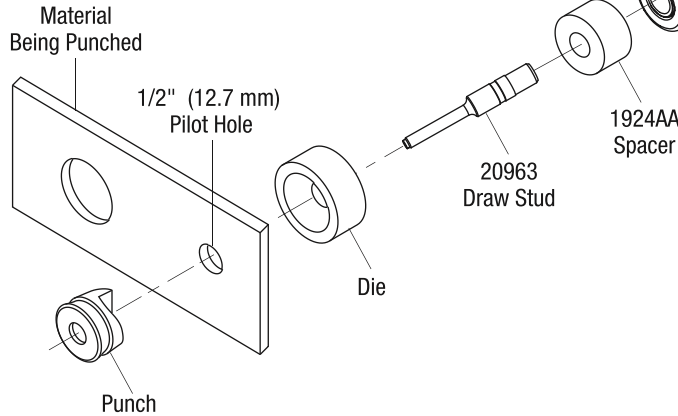
**Setup and Operation (cont'd)**

MILD STEEL

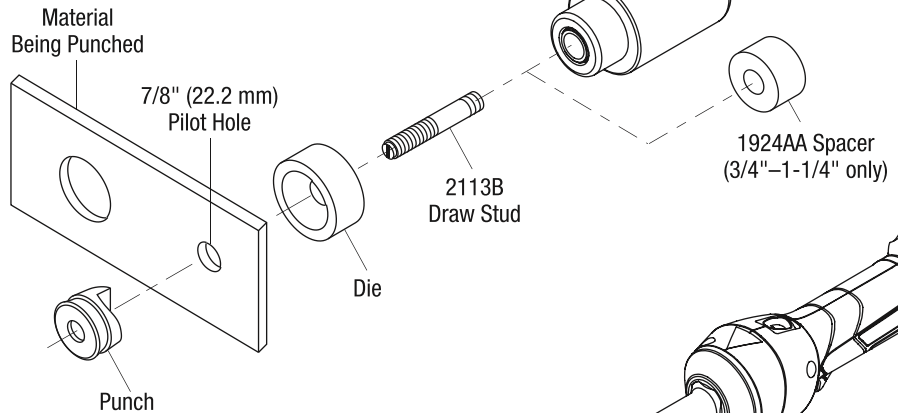
*Note: Refer to "Capacity and Draw Stud Selection Guide" on page 12 for capacity, draw stud, and hardware.*

**Punching Mild Steel**

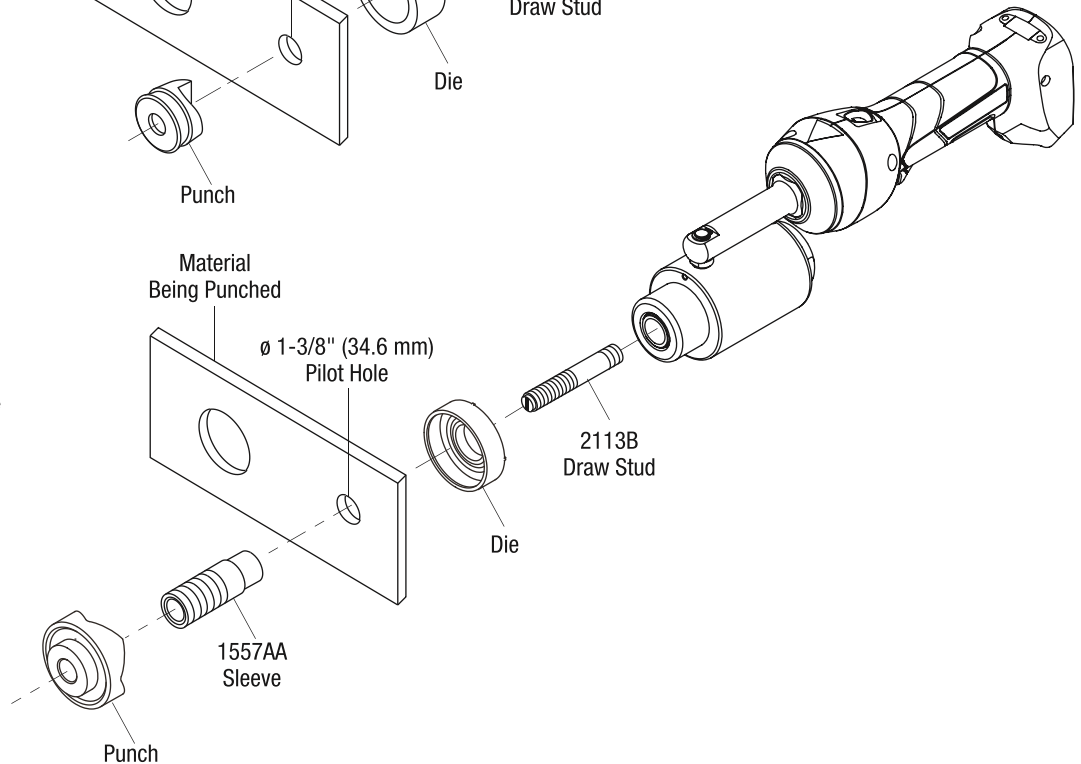
- 1/2" Conduit Size  
(dia. 0.885" / 22.5 mm)


**Punching Mild Steel**

- 3/4" to 3" Conduit Size  
(dia. 1.115" to 3.539" / 28.3 mm to 89.9 mm)

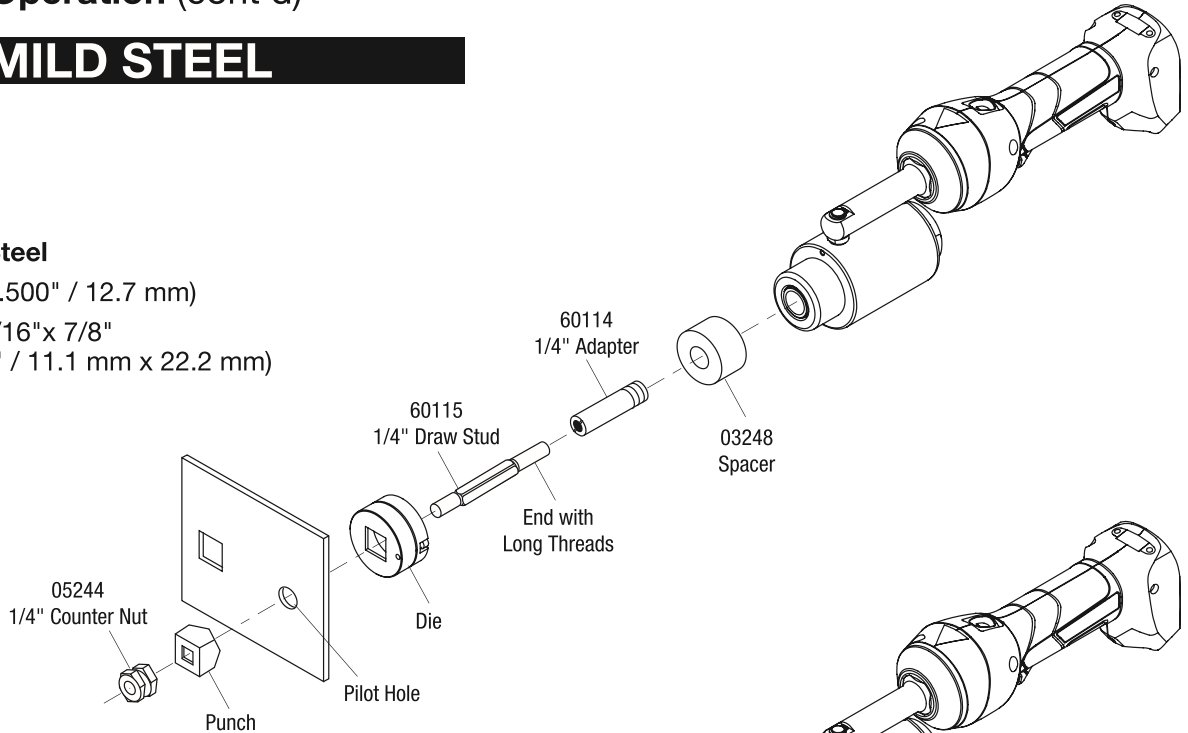

**Punching Mild Steel**

- 3-1/2" to 6" Conduit Size  
(dia. 4.011" to 6.375" / 102.7 mm to 161.9 mm)

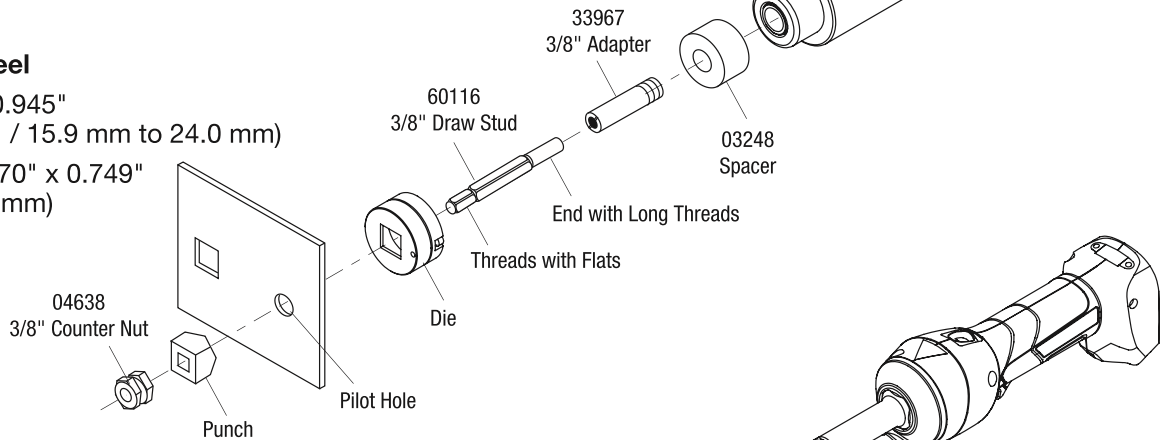


**Setup and Operation (cont'd)**
**MILD STEEL**
**Punching Mild Steel**

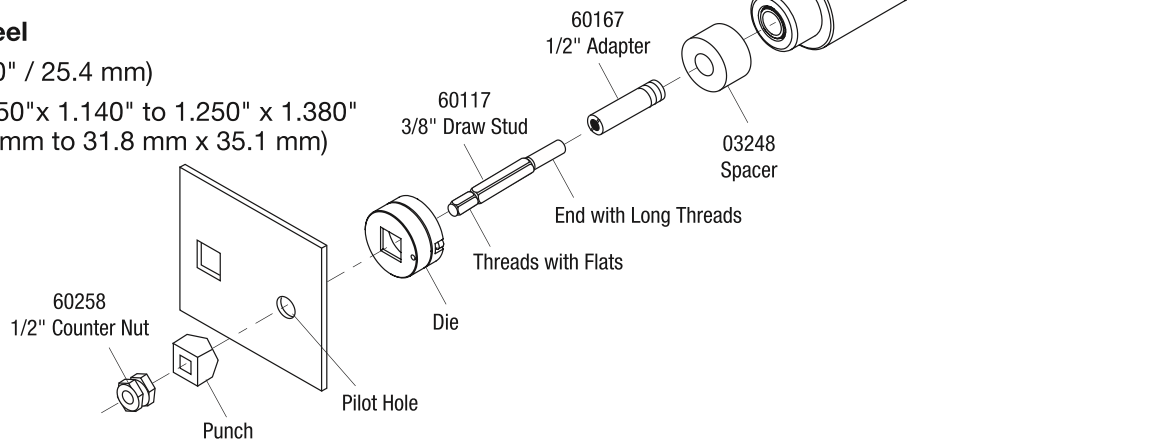
- Square: 1/2" (0.500" / 12.7 mm)
- Rectangular: 7/16"x 7/8"  
(0.437"x 0.875" / 11.1 mm x 22.2 mm)


**Punching Mild Steel**

- Square: 5/8" to 0.945"  
(0.625" to 0.945" / 15.9 mm to 24.0 mm)
- Rectangular: 0.670" x 0.749"  
(17.0 mm x 19.0 mm)


**Punching Mild Steel**

- Square: 1" (1.000" / 25.4 mm)
- Rectangular: 0.750"x 1.140" to 1.250" x 1.380"  
(19.1 mm x 29.0 mm to 31.8 mm x 35.1 mm)

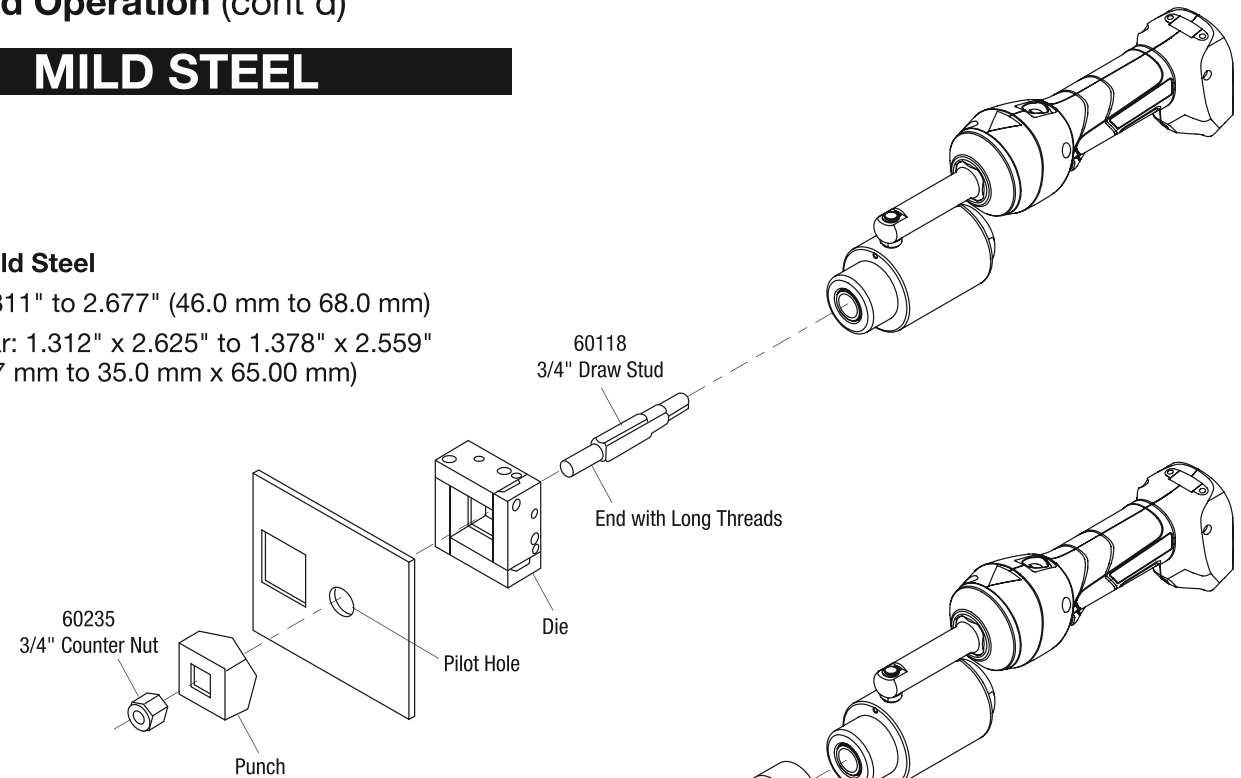


**Setup and Operation (cont'd)**

**MILD STEEL**

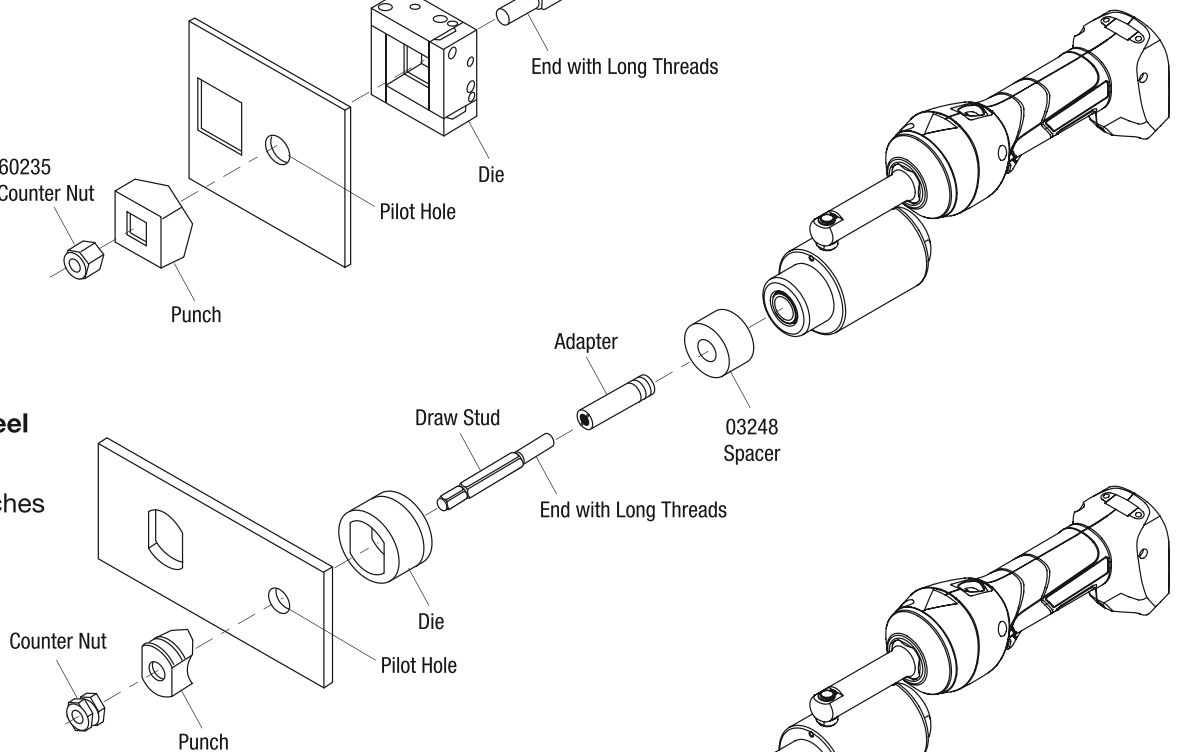
**Punching Mild Steel**

- Square: 1.811" to 2.677" (46.0 mm to 68.0 mm)
- Rectangular: 1.312" x 2.625" to 1.378" x 2.559" (33.3 x 66.7 mm to 35.0 mm x 65.00 mm)



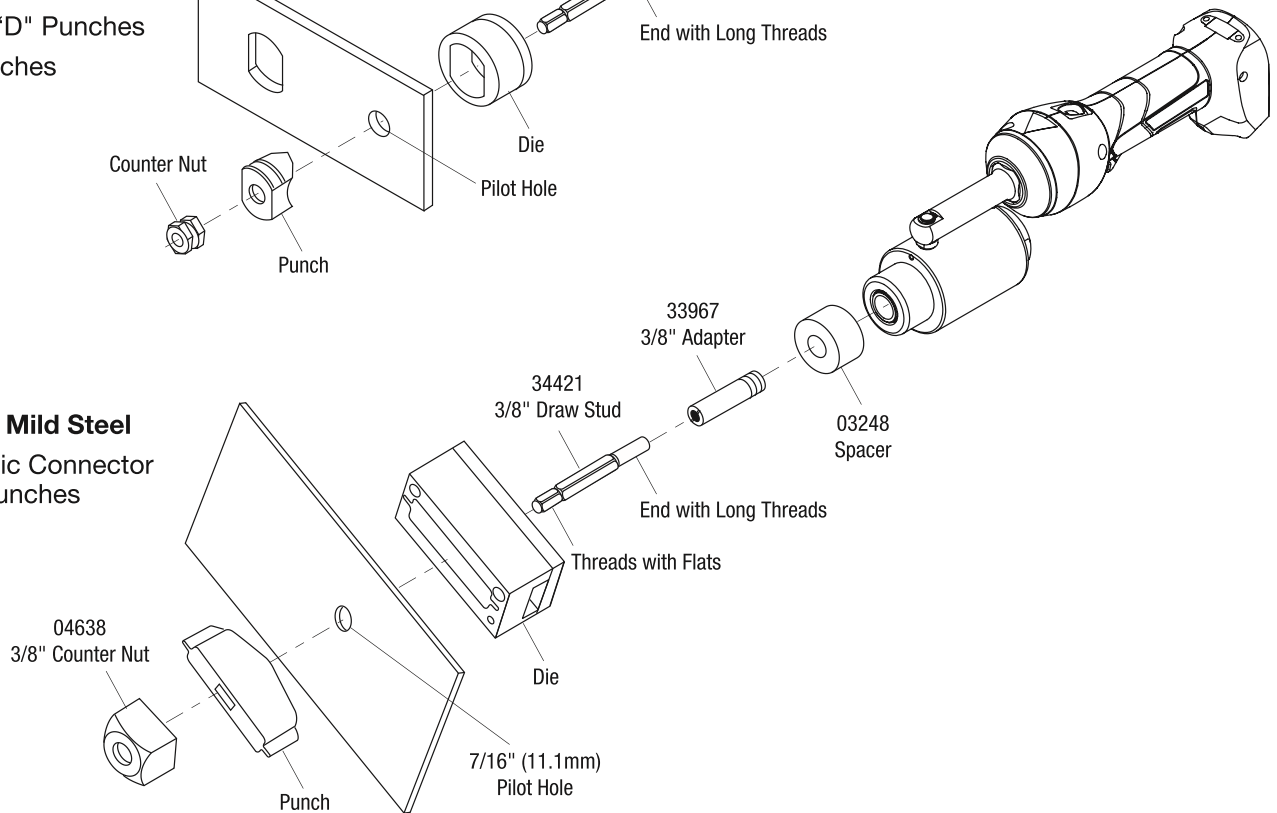
**Punching Mild Steel**

- "D" Punches
- Double "D" Punches
- Key Punches



**Punching Mild Steel**

- Electronic Connector Panel Punches



## Capacity and Draw Stud Selection Guide

STAINLESS STEEL				
Slug-Splitter and Large Diameter Punches / Draw Studs				
Steel Gauge	PIPE AND CONDUIT SIZE			
	1/2"	3/4" to 1-1/4"	1-1/2" to 3"	3-1/2" to 4"
10 ga. (0.134", 3 mm)	C, E	D, E	D	N/A
12 ga. (0.104", 2.5 mm)				D, G
14 ga. (0.074", 2 mm)				

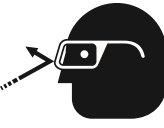
MILD STEEL					
Standard and Slug-Buster Punches / Draw Studs					
Steel Gauge	PIPE AND CONDUIT SIZE				
	1/2"	3/4" to 1-1/4"	1-1/2" to 3"	3-1/2" to 4"	5" to 6"
10 ga. (0.134", 3 mm)	A, E	B, E	B	B, F	N/A
12 ga. (0.104", 2.5 mm)					B, F
14 ga. (0.074", 2 mm)					B, F


MILD STEEL	
Electronic Connector Punches	
Steel Gauge	RS232, 229, 231, 234, 238
16 ga. (0.0598", 1.5 mm)	33967 adapter, 1924AA spacer


### Key


Item	Draw Stud and Hardware	
	Catalog No.	Description
A	20963	3/8" x 4.8" draw stud
B	2113B	3/4" x 5.38" draw stud
C	29451	7/16" x 4.25" draw stud (stainless steel)
D	29452	3/4" x 5.5" draw stud (stainless steel)
E	1924AA	7/8" spacer
F	1557AA	1-1/8" x 3" punch sleeve
G	1557SS	1-1/8" x 3" punch sleeve (stainless steel)

**Maintenance**

	<b>⚠ WARNING</b>
	<p>Wear eye protection when operating or servicing this tool.</p> <p>Failure to wear eye protection could result in serious eye injury from flying debris or hydraulic oil.</p>

	<b>⚠ WARNING</b>
	<p>Skin injection hazard:</p> <p>Do not use hands to check for oil leaks. Oil under pressure easily punctures skin. If injured, seek medical attention immediately to remove oil.</p> <p>Failure to observe this warning could result in serious injury, gangrene, or death.</p>

	<b>⚠ WARNING</b>
	<p>Do not use solvents or flammable liquids to clean the tool body. Solvents or flammable liquids could ignite and cause serious injury or property damage.</p>

	<b>⚠ WARNING</b>
	<p>Pinch points:</p> <ul style="list-style-type: none"> <li>• Remove battery before changing dies, adapters, or jaws.</li> <li>• Keep hands away from the tool head when punching.</li> </ul> <p>Failure to observe these warnings could result in severe injury or death.</p>

<b>IMPORTANT</b>
<p>Relief valve adjustments must be done by an authorized service center.</p>

**Daily**
*Before use:*

1. Inspect the tool for wear or damage, such as cracks, gouges, or chips.
2. Inspect the tool for damage or leaks.
3. Inspect the rotation of the head assembly. Fully return the ram. The head should rotate freely. If damage is detected, contact Greenlee customer service at 800-435-0786 for warranty service or repair.

*After use:*

1. Use a damp cloth and mild detergent to clean the housing. Allow the housing to dry.
2. Fully return the ram. Place the tool in the carrying case and store in a cool, dry place.
3. If necessary, recharge the batteries. Refer to the instructions supplied with the battery charger.

**Monthly**

1. Thoroughly clean all surfaces.
2. Check the oil level.

**Annually or After 10,000 Punches**

1. Replace the hydraulic oil.
2. Contact Greenlee customer service at 800-435-0786 for warranty service or repair.

**Checking the Oil Level**

1. Remove the screws holding the housing cover together.
2. Point the tool head downward and remove the oil reservoir plug. Fill reservoir if necessary.
3. Replace the oil plug and housing cover.

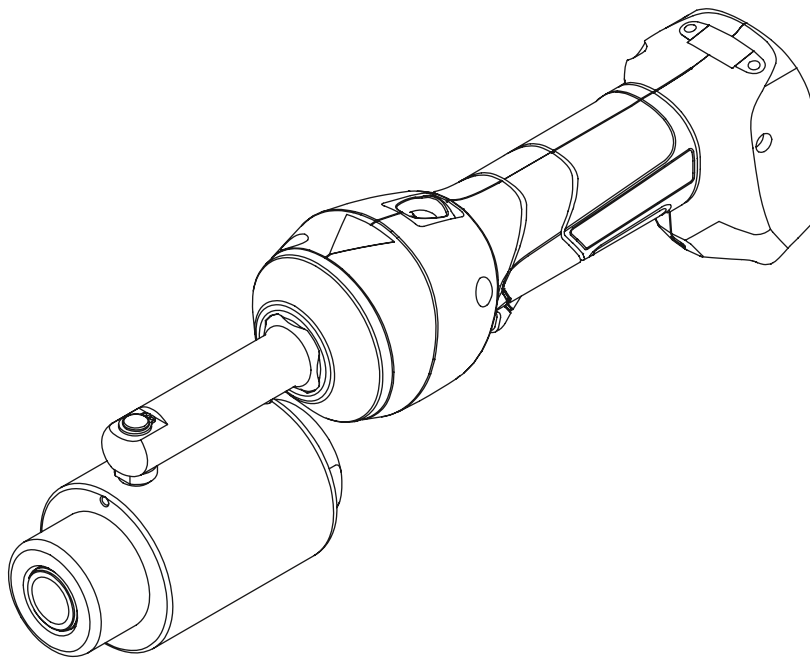
## Troubleshooting

### Before You Begin

1. Make sure that the battery is charged. Recheck the battery after several minutes to make sure the battery is holding its charge.
2. Use a **nonflammable** contact cleaner or pencil eraser to clean the electrical contacts on the battery and tool.
3. Reinstall the battery and check the tool again.

<b>Problem</b>	<b>Possible Cause</b>	<b>Probable Remedy</b>
Tool is inoperative.	Dirt, contaminants, etc., in ram area of tool.	Clean tool.
	Tool components worn or damaged.	Contact Greenlee customer service at 800-435-0786 for warranty service or repair.
Motor is inoperative.	Low or uncharged battery.	Try known charged battery. Inoperative battery may be discharged or may have reached life expectancy.
	Broken switch components.	Contact Greenlee customer service at 800-435-0786 for warranty service or repair.
Motor runs but tool will not complete a cycle.	Oil level low.	Contact Greenlee customer service at 800-435-0786 for warranty service or repair.
	Air in hydraulic system.	Pull trigger and hold return button simultaneously. Run for approximately 10 seconds, and then attempt to punch. If unsuccessful, contact Greenlee customer service at 800-435-0786 for warranty service or repair.
	Cold oil.	Pull trigger and hold return button simultaneously to warm oil. Store tool in warm area.
Dies stop during operation.	Oil level low.	Contact Greenlee customer service at 800-435-0786 for warranty service or repair.
	Air in hydraulic system.	Pull trigger and hold return button simultaneously. Hold for approximately 10 seconds.
LED glows for 20 seconds.	Battery charge low.	Charge or replace battery.
Tool loses oil.	Damaged internal seal.	Contact Greenlee customer service at 800-435-0786 for warranty service or repair.

# MANUAL DE OPERACIÓN



## **Taladro sacabocados hidráulico a batería Intelli-PUNCH™**



**Lea y comprenda** todas las instrucciones y la información de seguridad de este manual antes de operar o reparar esta herramienta.

Registre este producto en [www.greenlee.com](http://www.greenlee.com)

## Índice de Contenidos

Descripción .....	16
Seguridad .....	16
Objetivo de este manual.....	16
Información de seguridad importante.....	17–19
Identificación .....	20
Especificaciones .....	20
Colocación y operación.....	21–25
Guía de selección y capacidad de machos sin recubrir .....	26
Mantenimiento.....	27
Resolución de problemas.....	28

## Descripción

El taladro sacabocados hidráulico a batería Intelli-PUNCH™ de Greenlee es un sacabocados manual autónomo para utilizar con perforadores, troqueles y machos sin recubrir Greenlee para perforar agujeros en plástico, fibra de vidrio, aluminio y acero.

Esta herramienta está diseñada para utilizarse con los siguientes accesorios de Greenlee:

- Perforadores, troqueles y machos sin recubrir estándar
- Perforadores, troqueles y machos sin recubrir Slug-Buster®
- Perforadores, troqueles y machos sin recubrir Slug-Splitter®
- Sistema sacabocados SPEED PUNCH®
- Perforadores de panel de conexión electrónica
- Perforadores, troqueles y machos sin recubrir de formas especiales (en “D”, doble “D”, de llave, cuadrados, rectangulares y estancos al aceite con muescas)

Los perforadores de panel de conexión electrónica, Slug-Buster y estándar, y perforadores de forma especial pueden perforar agujeros en plástico, fibra de vidrio, aluminio y acero. Los perforadores, troqueles y machos sin recubrir Slug-Splitter pueden perforar todos estos materiales y también el acero inoxidable. Consulte la “Guía de selección y capacidad de machos sin recubrir” en este manual para obtener información detallada sobre los tamaños de perforación y el grosor máximo del material. No exceda la capacidad del perforador.

Esta herramienta está protegida por la Patente de los EE. UU. N° 6.276.186, 6.401.515, 7.086.979 y 7.254.982.

## Seguridad

La seguridad es esencial para el uso y el mantenimiento de las herramientas y los equipos de Greenlee. Este manual y cualquier marca en la herramienta proporcionan información para evitar riesgos y prácticas no seguras relacionadas con el uso de esta herramienta. Observe toda la información de seguridad proporcionada.

## Objetivo de este manual

La finalidad de este manual es familiarizar a todo el personal con los procedimientos de mantenimiento y operación segura para la siguiente herramienta de Greenlee:

Taladro sacabocados hidráulico a batería Intelli-PUNCH™

Mantenga este manual al alcance de todo el personal.

Los manuales de reemplazo se encuentran disponibles a pedido y sin costo en [www.greenlee.com](http://www.greenlee.com).

Todas las especificaciones son nominales y pueden cambiar a medida que surjan mejoras en el diseño. Greenlee Textron Inc. no será responsable de los daños que resulten de la mala aplicación o el mal uso de estos productos.

Kwik-Stepper, Slug-Buster, Slug-Splitter y SPEED PUNCH son marcas comerciales registradas e Intelli-PUNCH™ es una marca comercial de Textron Innovations Inc.

 **No descarte este producto ni lo deseche.**  
Para obtener información sobre su reciclado, visite  
[www.greenlee.com](http://www.greenlee.com).

# CONSERVE ESTE MANUAL



## INFORMACIÓN DE SEGURIDAD IMPORTANTE



### SÍMBOLO DE ALERTA DE SEGURIDAD

Este símbolo se utiliza para llamar su atención ante riesgos o prácticas no seguras que podrían dar como resultado una lesión o daño a la propiedad. La palabra de advertencia, que se define a continuación, indica la gravedad del riesgo. El mensaje después de la palabra de advertencia brinda información para prevenir y evitar el riesgo.

#### ⚠ PELIGRO

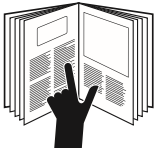
Riesgos inmediatos que, si no se los evita, DARÁN como resultado lesiones graves o la muerte.

#### ⚠ ADVERTENCIA

Riesgos que, si no se los evita, PODRÍAN resultar en lesiones graves o la muerte.

#### ⚠ ATENCION

Riesgos o prácticas no seguras que, si no se las evita, PUEDEN resultar en lesiones o daños a la propiedad.



#### ⚠ ADVERTENCIA

Lea y comprenda todas las instrucciones y la información de seguridad de este manual antes de operar o reparar esta herramienta.

No observar esta advertencia podría resultar en lesiones graves o la muerte.

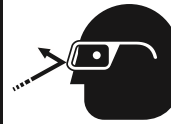


#### ⚠ ADVERTENCIA

Riesgo de descarga eléctrica:

Esta herramienta no está aislada. Cuando utilice esta unidad en líneas eléctricas o cerca de ellas, utilice los equipos de protección personal adecuados.

No observar esta advertencia podría resultar en lesiones graves o la muerte.



#### ⚠ ADVERTENCIA

Utilice protección para los ojos al operar o reparar esta herramienta.

No utilizar protección para los ojos podría dar como resultado lesiones graves en los ojos por residuos en el aire o aceite hidráulico.



#### ⚠ ADVERTENCIA

Riesgo de inyección en la piel:

No utilice las manos para verificar derrames de aceite. El aceite bajo presión penetra fácilmente en la piel. Si se lesiona, busque atención médica de inmediato para quitar el aceite.

No observar esta advertencia podría resultar en lesiones graves, gangrena o la muerte.



#### ⚠ ADVERTENCIA

No utilice solventes ni líquidos inflamables para limpiar el cuerpo de la herramienta. Los solventes o líquidos inflamables pueden encenderse y causar lesiones graves o daños a la propiedad.



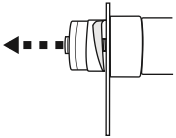
#### ⚠ ADVERTENCIA

Puntos de apriete:

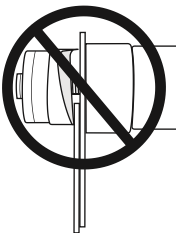
- Quite la batería antes de cambiar troqueles, adaptadores u horquillas.
- Mantenga las manos alejadas de la cabeza de la herramienta al perforar.

No observar estas advertencias podría resultar en lesiones graves o la muerte.

## INFORMACIÓN DE SEGURIDAD IMPORTANTE

	<b>⚠ ADVERTENCIA</b>
	<p>La falla en un componente podría despedir partes rotas.</p> <ul style="list-style-type: none"> <li>• No permita que nadie se pare en frente del perforador o detrás del pistón hidráulico.</li> <li>• Cierre las puertas de acceso o cubiertas en cualquier equipo que se encuentre en línea con el perforador o el pistón.</li> </ul> <p>No observar esta advertencia podría resultar en lesiones graves o la muerte.</p>

<b>⚠ ADVERTENCIA</b>
<ul style="list-style-type: none"> <li>• Inspeccione si hay desgastes o daños en la herramienta. Reemplace cualquier componente gastado, dañado o que falte con las piezas de repuesto de Greenlee. Una herramienta dañada o colocada incorrectamente puede romperse y golpear al personal que se encuentre cerca con la fuerza suficiente como para provocar una lesión grave o la muerte.</li> <li>• Inspeccione si hay desgastes o daños en el perforador, el troquel, el macho sin recubrir y los separadores. Reemplace cualquier elemento gastado o dañado con las piezas de repuesto de Greenlee. Reemplace cualquier perforador que tenga superficies de corte desafiladas.</li> </ul>

	<b>⚠ ADVERTENCIA</b>
	<p>No intente perforar un agujero a través de dos o más capas de material. Esto doblará o romperá el macho sin recubrir y podría despedir partes con mucha fuerza.</p> <p>No observar esta advertencia podría resultar en lesiones graves o la muerte.</p>

<b>⚠ ADVERTENCIA</b>
<p>No exceda la capacidad nominal de esta herramienta. Exceder la capacidad nominal puede causar la falla de un componente, el cual puede despedir partes rotas con gran fuerza.</p> <p>No observar esta advertencia podría resultar en lesiones graves o la muerte.</p>

<b>⚠ ADVERTENCIA</b>
<p>Coloque la herramienta correctamente. Una colocación inadecuada podría causar la falla de un componente y golpear cerca del personal con mucha fuerza.</p> <ul style="list-style-type: none"> <li>• <i>Utilice solamente los perforadores, troqueles y machos sin recubrir de Greenlee. Es probable que los componentes de otros fabricantes no soporten las fuerzas generadas por este sacabocados.</i></li> <li>• Colocación del perforador manual: el perforador debe estar completamente roscado en el macho sin recubrir. Todas las roscas del perforador deben estar acopladas por las roscas del macho sin recubrir. Una colocación incompleta puede causar la falla de un componente.</li> <li>• Colocación del perforador hidráulico: el macho sin recubrir debe estar completamente roscado en la cabeza del taladro. El perforador debe estar completamente roscado en el macho sin recubrir. Todas las roscas del perforador deben estar acopladas por las roscas del macho sin recubrir. Una colocación incompleta puede causar la falla de un componente.</li> <li>• Colocación del SPEED PUNCH: el macho sin recubrir debe estar completamente roscado en la cabeza del taladro. El BROCHE DE FIJACIÓN SPEED debe estar completamente acoplado y cerrado en el macho sin recubrir. Una colocación incompleta puede causar la falla de un componente.</li> </ul> <p>No observar estas advertencias podría resultar en lesiones graves o la muerte.</p>

<b>⚠ ADVERTENCIA</b>
<p>No deseche las baterías en el fuego. Estas pueden despedir gases y explotar.</p> <p>No observar esta advertencia podría resultar en lesiones graves por gases nocivos o quemaduras por residuos en el aire.</p>

## **INFORMACIÓN DE SEGURIDAD IMPORTANTE**

### **⚠ ATENCION**

- No utilice esta herramienta para uso continuo. Después de 30 a 40 ciclos, deje enfriar la herramienta por 15 minutos.
- No sujete esta herramienta en una prensa de banco. Esta herramienta está diseñada para operaciones manuales.
- Esta herramienta se puede utilizar en entornos mojados o húmedos; sin embargo, se recomienda dejar secar al aire antes de usar si se moja la herramienta. Si se opera la herramienta antes de secarla bien cuando los componentes eléctricos están mojados puede causar daños.
- Utilice esta herramienta solo para los fines establecidos por el fabricante.

No observar estas precauciones puede resultar en lesiones o daños a la propiedad.

### **⚠ ATENCION**

No permita que nada entre en contacto con las terminales de la batería.

- No sumerja las baterías en líquido. El líquido puede provocar un cortocircuito y dañar la batería. Si se sumergen las baterías, comuníquese con el centro de servicio técnico para una manipulación adecuada.
- No coloque la batería en el bolsillo, el estuche para herramientas o la caja de herramientas con objetos conductores. Los objetos conductores pueden provocar un cortocircuito y dañar la batería.
- No coloque la batería en suelo húmedo o grasa. La humedad puede provocar un cortocircuito y dañar la batería.

No observar estas precauciones puede resultar en lesiones o daños a la propiedad.

### **⚠ ATENCION**

- No almacene la batería a una temperatura superior a los 122 °F (50 °C) o inferior a los -4 °F (-20 °C). Puede causar daños en la batería.
- No utilice un cargador de otro fabricante. Los cargadores de otros fabricantes pueden sobrecargar y dañar la batería.
- No intente abrir la batería. No contiene partes reparables por el usuario.

No observar estas precauciones puede resultar en lesiones o daños a la propiedad.

### **⚠ ATENCION**

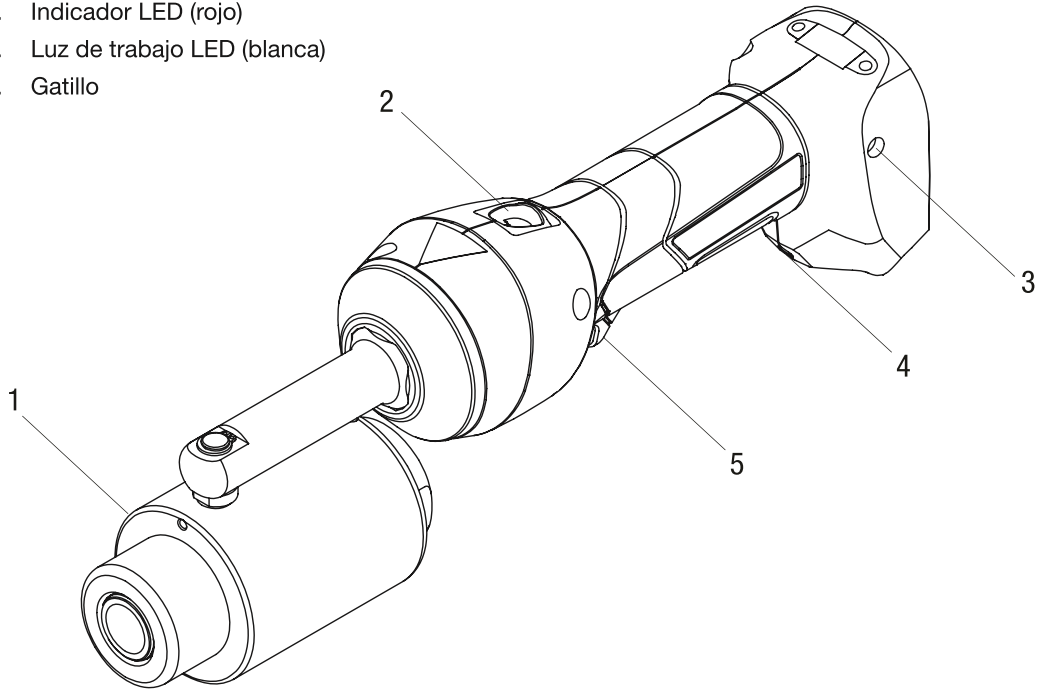
No realice ninguna reparación ni mantenimiento que no se describa en este manual. Puede causar daños o perjuicios en la herramienta.

No observar estas precauciones puede resultar en lesiones y daños a la propiedad.

*Nota: mantenga todas las calcomanías limpias y legibles, y reemplácelas cuando sea necesario.*

**Identificación**

- 1. Cabeza de perforación
- 2. Botón de retorno
- 3. Indicador LED (rojo)
- 4. Luz de trabajo LED (blanca)
- 5. Gatillo



**Especificaciones**

Taladro sacabocados (sin batería de iones de litio de 18 V, 3.0 Ah)

Longitud.....	14,4 in (366 mm)
Anchura .....	3,1 in (80 mm)
Profundidad .....	4,8 in (122 mm)
Peso.....	4,7 lb (2,1 kg)
Potencia.....	11,2 toneladas (100 kN)
Aceite hidráulico .....	fluido hidráulico biodegradable 52057878
Rango de temperatura de operación recomendado .....	5 °F a 122 °F (-15 °C a 50 °C)
Cargador de batería .....	Lea las instrucciones que se suministran con el cargador de batería

52047087	Adaptador cableado de 120 VCA	52049201	Cargador de 18 V, 120 VCA
52047088	Adaptador cableado de 230 VCA	52049202	Cargador de 18 V, 230 VCA
52047083	Batería de iones de litio de 18 V, 3.0 Ah	52049204	Cargador de 18 V, 12 VCC

## Colocación y operación

### Perforación

*Nota: el taladro Intelli-PUNCH™ es una herramienta de perforación hidráulica controlada por microprocesador con una función de retracción automática que se activará luego de finalizar la perforación para ahorrar tiempo y evitar que el operador tenga que retraer manualmente la herramienta. De todos modos, se debe tener cuidado para asegurarse que los perforadores y troqueles no toquen fondo y que la herramienta se suelte luego de finalizar la perforación. Existen circunstancias que pueden hacer que la función de retracción automática falle.*

1. Consulte las ilustraciones en las siguientes páginas para una colocación y ensamblaje adecuado del perforador, el troquel y el macho sin recubrir.
  2. Seleccione el perforador, el troquel y el macho sin recubrir adecuado para el tamaño de agujero deseado.
  3. Determine y marque la ubicación exacta del agujero. Utilice una broca Kwik-Stepper® de Greenlee para hacer un agujero piloto un poco más grande que el macho sin recubrir que se está utilizando.
  4. Presione el botón de retorno para restaurar el pistón a la posición de inicio.
  5. Rosque el macho sin recubrir adecuado de manera completa en el pistón de la cabeza de perforación.
  6. De ser necesario, coloque un separador del tamaño adecuado en el macho sin recubrir.
  7. Deslice el troquel correspondiente en el macho sin recubrir. El extremo abierto del troquel debe mirar en dirección opuesta de la cabeza de perforación.
  8. Inserte el macho sin recubrir a través del agujero piloto en el material que se va a perforar.
  9. Rosque el perforador (el borde cortante hacia el material) en el macho sin recubrir hasta que el conjunto de perforación quede apretado en la superficie del material.
- Nota:*
- Las perforaciones de 3-1/2 in a 6 in requieren de un casquillo del perforador antes del ensamblaje al macho sin recubrir.
  - Todas las roscas del perforador deben estar acopladas con las roscas del macho sin recubrir. Si alguna de las roscas del perforador no está acoplada, quite el separador y vuelva a ensamblar.
  - Para SPEED PUNCH®, deslice el perforador en el macho sin recubrir (el borde cortante hacia el material) y asegure el BROCHE DE FIJACIÓN SPEED al macho sin recubrir.
10. Presione y mantenga presionado el gatillo para completar el ciclo de perforación. El taladro Intelli-PUNCH™ se retractará automáticamente cuando sienta que el perforador pasó por completo a través del material.

## IMPORTANTE

- En determinadas circunstancias, como en el caso de chapas finas de acero o fuerzas de perforación muy bajas, es posible que esta unidad no inicie la retracción automática o que la retracción automática comience antes de tiempo. Se debe tener cuidado de no tocar fondo con los perforadores, ya que causará daños luego de finalizar la perforación. En caso de que la retracción automática comience antes de tiempo, vuelva a intentar perforar el agujero.
- Al presionar el gatillo, la función de retracción automática se puede anular en cualquier momento para detener la retracción del pistón.
- Si hay un exceso de presión durante el ciclo de perforación, la herramienta se apagará automáticamente y el pistón volverá a la posición de inicio. Esto puede indicar que la operación que se intenta realizar supera la capacidad de la herramienta. La condición de exceso de presión también ocurrirá cuando la herramienta se accione a fondo. (Se debe tener cuidado para evitar accionar esta herramienta a fondo ya que esto puede causar daños en el perforador y el troquel).

11. Desenrosque el perforador del macho sin recubrir. Deslice y saque el troquel del macho sin recubrir y quite cualquier trozo de metal del troquel.

*Nota: para SPEED PUNCH®, quite el BROCHE DE FIJACIÓN SPEED. Deslice y saque el perforador del macho sin recubrir; luego, deslice y saque el troquel del macho sin recubrir y quite cualquier trozo de metal del troquel.*

### Cargado de la batería





Lea las instrucciones que se suministran con el cargador de batería.

### Luz de trabajo LED (blanca)

Esta luz LED se enciende automáticamente cuando se jala el gatillo. Permanece encendida por 10 segundos luego de soltar el gatillo.

### Indicador LED (rojo)

Esta herramienta está equipada con un tablero de circuito especial que incorpora varias funciones importantes para informar al usuario sobre el estado actual de la unidad. Las señales LED en los siguientes casos:

Qué sucede	Señal	Qué significa
Luz constante por 20 segundos al final del ciclo		El cargador de batería está por debajo de los 17 V al comienzo del ciclo
La herramienta <b>no</b> arrancará y luz constante por 20 segundos cuando se suelte el gatillo		El cargador de batería está por debajo de los 16 V al comienzo del ciclo
La herramienta se detendrá y tendrá una luz constante por 20 segundos luego de soltar el gatillo		El voltaje de la batería cae por debajo de los 13 V durante el ciclo
La herramienta se detendrá y tendrá una luz intermitente por 20 segundos cuando se suelte el gatillo		La corriente del motor excede los 20 A durante el ciclo El circuito se calentó demasiado

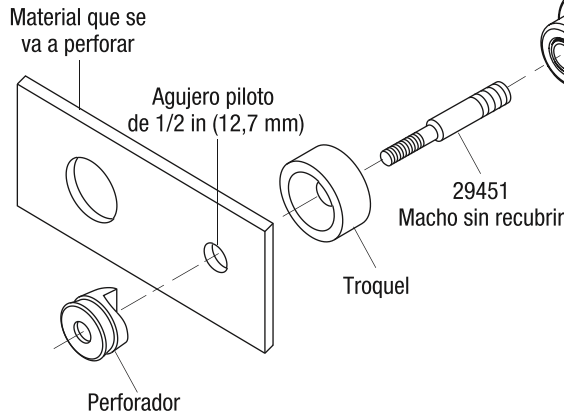
**Colocación y operación (continuación)**

**ACERO INOXIDABLE**

*Nota: consulte la "Guía de selección y capacidad de machos sin recubrir" en la página 12 para conocer sobre capacidad, macho sin recubrir y hardware.*

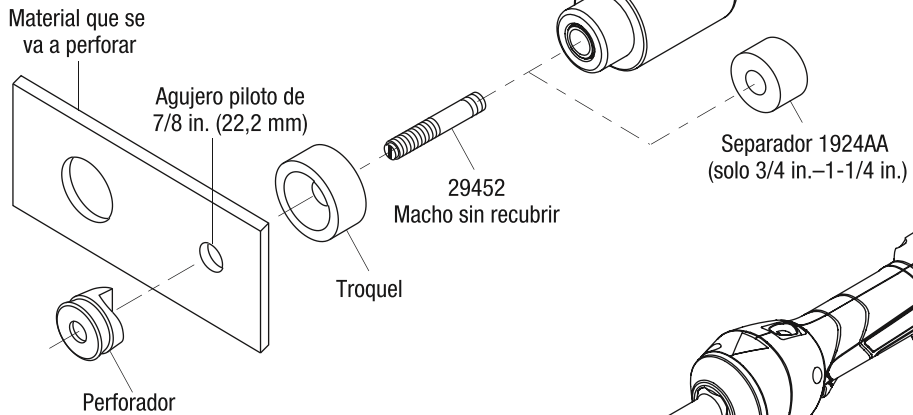
**Perforación de acero inoxidable**

- Tamaño del conducto de 1/2 in (diá. 0,885 in / 22,5 mm)



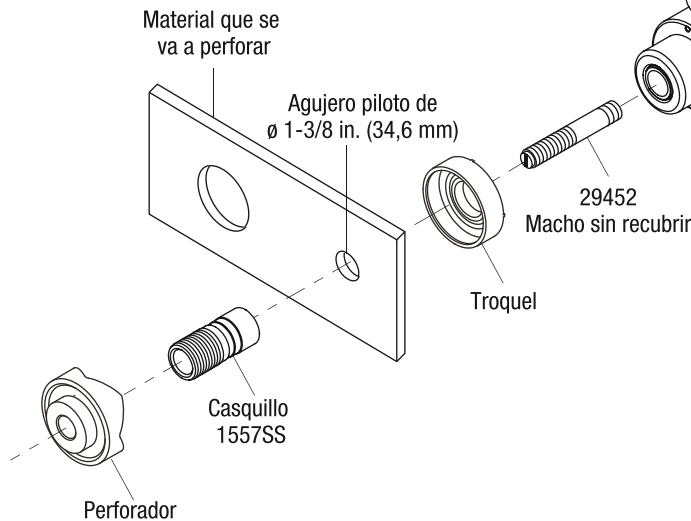
**Perforación de acero inoxidable**

- Tamaño del conducto de 3/4 in a 3 in (diá. 1,115 in a 3,539 in / 28,3 mm a 89,9 mm)



**Perforación de acero inoxidable**

- Tamaño del conducto de 3-1/2 in a 4 in (diá. 4,011 in a 4,544 in / 102,7 mm a 115,4 mm)

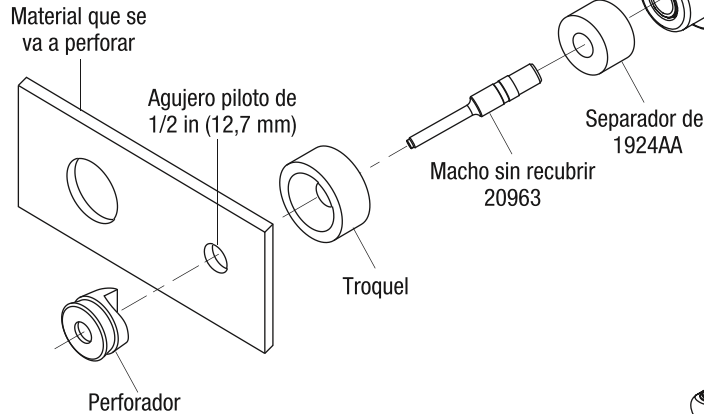


**Colocación y operación (continuación)**
**ACERO DULCE**

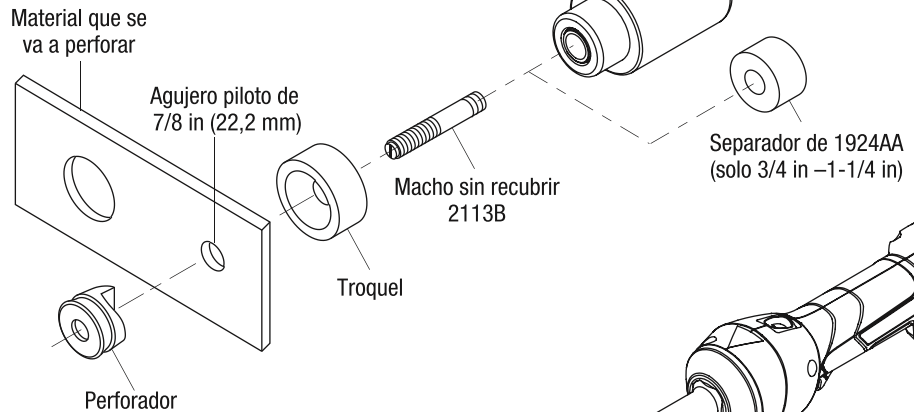
Nota: consulte la "Guía de selección y capacidad de machos sin recubrir" en la página 12 ara conocer sobre capacidad, macho sin recubrir y hardware.

**Perforación de acero dulce**

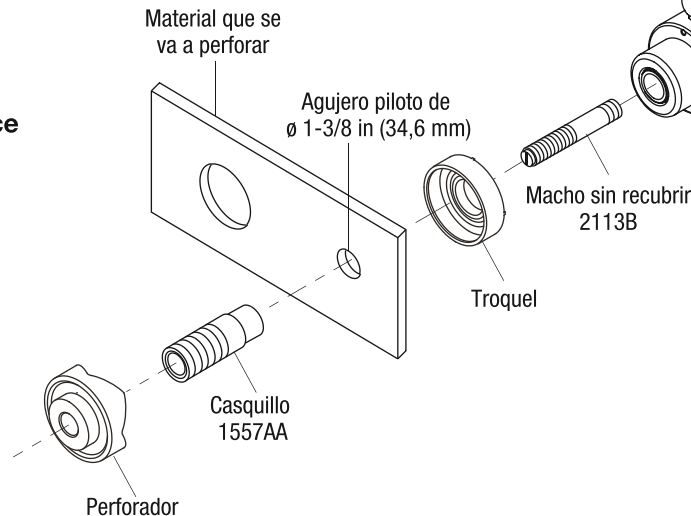
- Tamaño del conducto de 1/2 in (diá. 0,885 in / 22,5 mm)


**Perforación de acero dulce**

- Tamaño del conducto de 3/4 in a 3 in (diá. 1,115 in a 3,539 in / 28,3 mm a 89,9 mm)

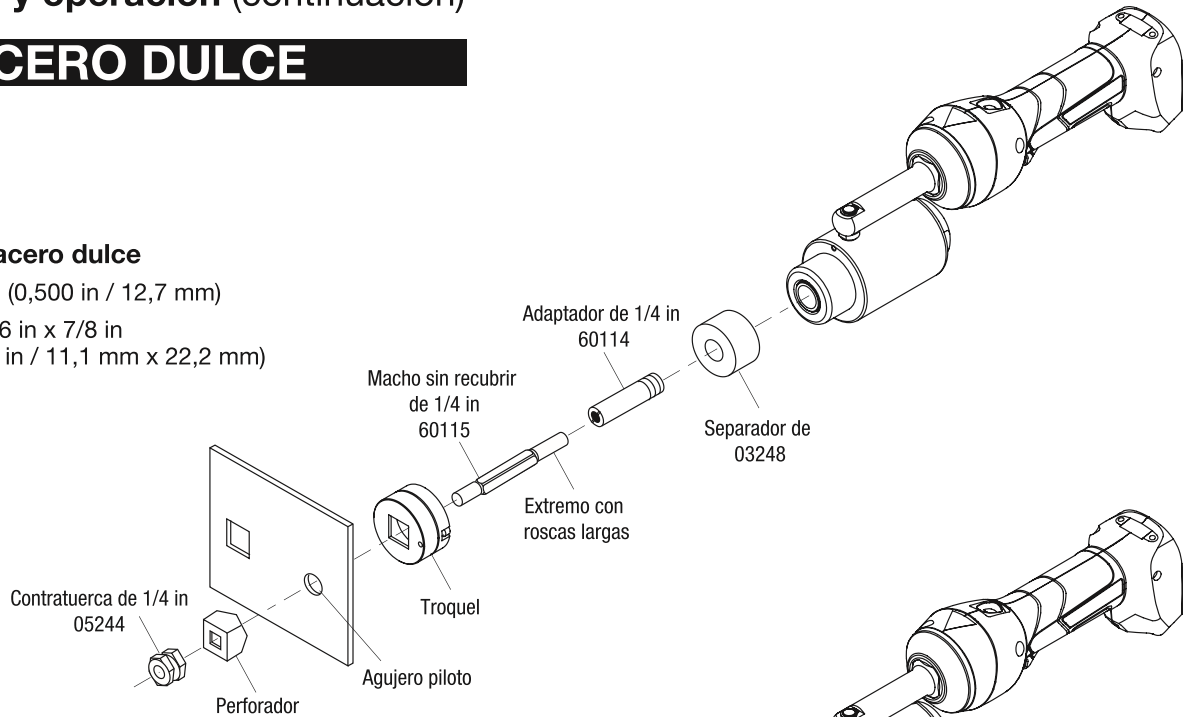

**Perforación de acero dulce**

- Tamaño del conducto de 3-1/2 in a 6 in (diá. 4,011 in a 6,375 in / 102,7 mm a 161,9 mm)

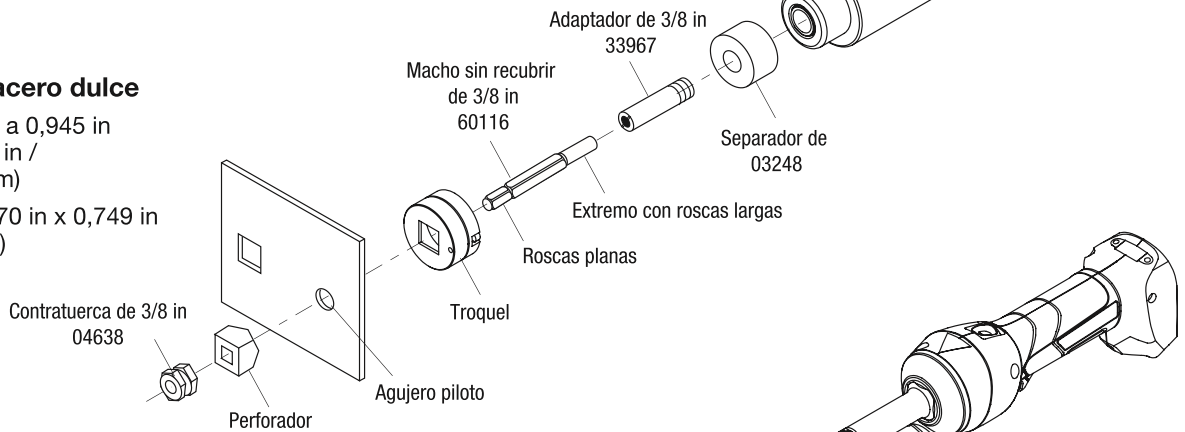


**Colocación y operación (continuación)**
**ACERO DULCE**
**Perforación de acero dulce**

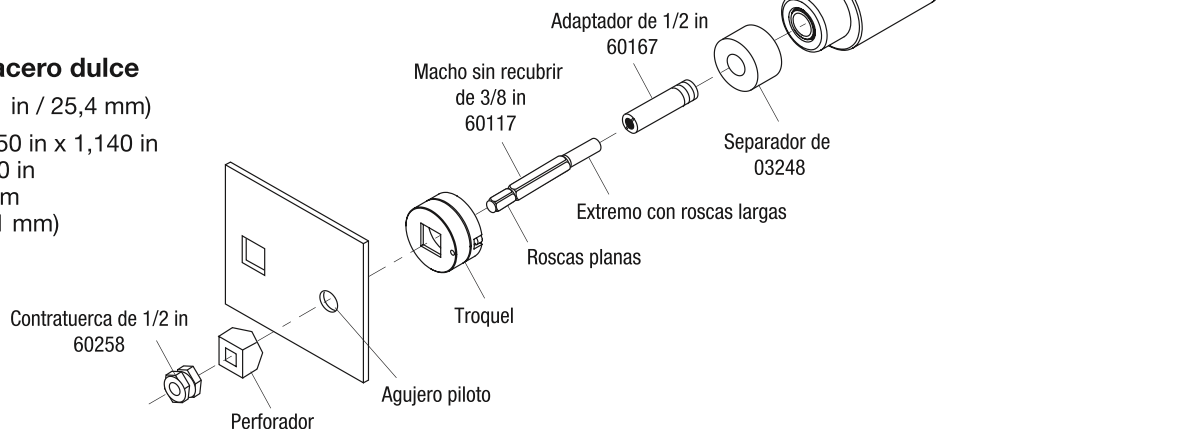
- Cuadrado: 1/2 in (0,500 in / 12,7 mm)
- Rectangular: 7/16 in x 7/8 in (0,437 in x 0,875 in / 11,1 mm x 22,2 mm)


**Perforación de acero dulce**

- Cuadrado: 5/8 in a 0,945 in (0,625 in a 0,945 in / 15,9 mm a 24 mm)
- Rectangular: 0,670 in x 0,749 in (17 mm x 19 mm)


**Perforación de acero dulce**

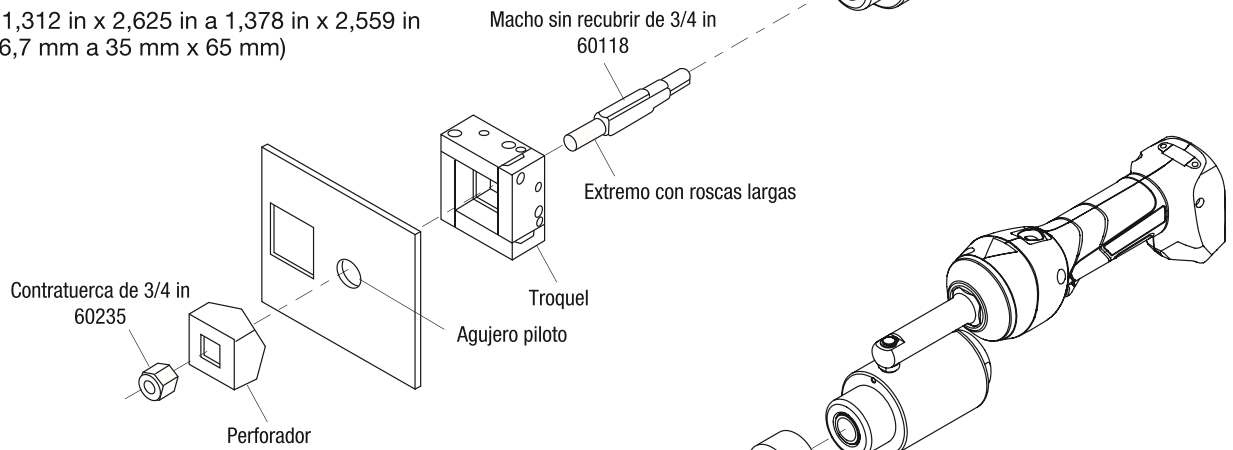
- Cuadrado: 1 in (1 in / 25,4 mm)
- Rectangular: 0,750 in x 1,140 in a 1,250 in x 1,380 in (19,1 mm x 29 mm a 31,8 mm x 35,1 mm)



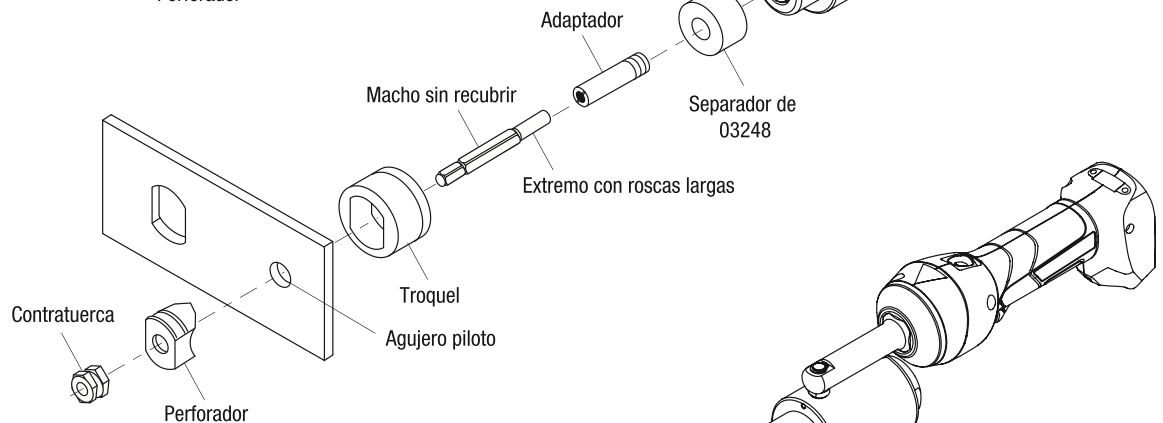


**Colocación y operación (continuación)**
**ACERO DULCE**
**Perforación de acero dulce**

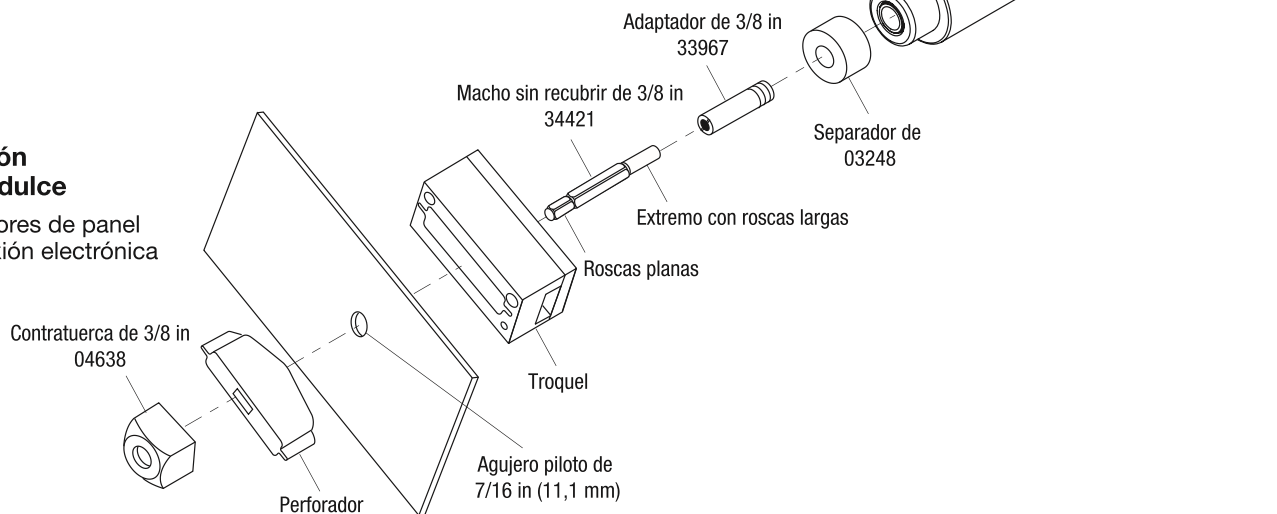
- Cuadrado: 1,811 in a 2,677 in (46 mm a 68 mm)
- Rectangular: 1,312 in x 2,625 in a 1,378 in x 2,559 in (33,3 mm x 66,7 mm a 35 mm x 65 mm)


**Perforación de acero dulce**

- Perforadores en "D"
- Perforadores en doble "D"
- Perforadores de llave


**Perforación de acero dulce**

- Perforadores de panel de conexión electrónica



**Guía de selección y capacidad de machos sin recubrir**

<b>ACERO INOXIDABLE</b>				
<b>Machos sin recubrir / Perforadores de diámetro grande y Slug-Splitter</b>				
Calibre del acero	TAMAÑO DEL CONDUCTO Y LA TUBERÍA			
	1/2 in	3/4 in a 1-1/4 in	1-1/2 in a 3 in	3-1/2 in a 4 in
cal. 10 (0,134 in, 3 mm)	C, E	D, E	D	N/A
cal. 12 (0,104 in, 2,5 mm)				D, G
cal. 14 (0,074 in, 2 mm)				

<b>ACERO DULCE</b>					
<b>Machos sin recubrir / Perforadores estándar y Slug-Buster</b>					
Calibre del acero	TAMAÑO DEL CONDUCTO Y LA TUBERÍA				
	1/2 in	3/4 in a 1-1/4 in	1-1/2 in a 3 in	3-1/2 in a 4 in	5 in a 6 in
cal. 10 (0,134 in, 3 mm)	A, E	B, E	B	B, F	N/A
cal. 12 (0,104 in, 2,5 mm)					B, F
cal. 14 (0,074 in, 2 mm)					B, F


<b>ACERO DULCE</b>	
<b>Perforadores de conexión electrónica</b>	
Calibre del acero	RS232, 229, 231, 234, 238
cal. 16 (0,0598 in, 1,5 mm)	adaptador 33967, separador 1924AA


**De llave**


Elemento	Macho sin recubrir y hardware	
	N.º de catálogo	Descripción
A	20963	Macho sin recubrir de 3/8 in x 4,8 in
B	2113B	Macho sin recubrir de 3/4 in x 5,38 in
C	29451	Macho sin recubrir de 7/16 in x 4,25 in (acero inoxidable)
D	29452	Macho sin recubrir de 3/4 in x 5,5 in (acero inoxidable)
E	1924AA	separador de 7/8 in
F	1557AA	casquillo del perforador de 1-1/8 in x 3 in
G	1557SS	casquillo del perforador de 1-1/8 in x 3 in (acero inoxidable)

## Mantenimiento

	<b>⚠ ADVERTENCIA</b>
	<p>Utilice protección para los ojos al operar o reparar esta herramienta.</p> <p>No utilizar protección para los ojos podría dar como resultado lesiones graves en los ojos por residuos en el aire o aceite hidráulico.</p>

	<b>⚠ ADVERTENCIA</b>
	<p>Riesgo de inyección en la piel:</p> <p>No utilice las manos para verificar derrames de aceite. El aceite bajo presión penetra fácilmente en la piel. Si se lesiona, busque atención médica de inmediato para quitar el aceite.</p> <p>No observar esta advertencia podría resultar en lesiones graves, gangrena o la muerte.</p>

	<b>⚠ ADVERTENCIA</b>
	<p>No utilice solventes ni líquidos inflamables para limpiar el cuerpo de la herramienta. Los solventes o líquidos inflamables pueden encenderse y causar lesiones graves o daños a la propiedad.</p>

	<b>⚠ ADVERTENCIA</b>
	<p>Puntos de apriete:</p> <ul style="list-style-type: none"> <li>• Quite la batería antes de cambiar troqueles, adaptadores u horquillas.</li> <li>• Mantenga las manos alejadas de la cabeza de la herramienta al perforar.</li> </ul> <p>No observar estas advertencias podría resultar en lesiones graves o la muerte.</p>

<b>IMPORTANTE</b>
<p>Los ajustes en la válvula de alivio deben ser realizados por un centro de servicio técnico autorizado.</p>

### Diariamente

*Antes de usar:*

1. Inspeccione si hay desgastes o daños en la herramienta como roturas, hendiduras o astillas.
2. Inspeccione si hay daños o derrames en la herramienta.
3. Inspeccione la rotación del conjunto de la cabeza. Retroceda completamente el pistón. La cabeza debe rotar libremente. Si detecta daños, comuníquese con el servicio de atención al cliente de Greenlee al número 800-435-0786 para reparaciones o servicio técnico de garantía.

*Después de usar:*

1. Utilice un trapo mojado y detergente suave para limpiar el alojamiento. Deje secar el alojamiento.
2. Retroceda completamente el pistón. Coloque la herramienta en el estuche portátil y almacene en un lugar fresco y seco.
3. De ser necesario, recargue las baterías. Lea las instrucciones que se suministran con el cargador de batería.

### Mensualmente

1. Limpie profundamente todas las superficies.
2. Controle el nivel de aceite.

### Anualmente o después de 10.000 perforaciones

1. Cambie el aceite hidráulico.
2. Comuníquese con el servicio de atención al cliente de Greenlee al número 800-435-0786 para reparaciones o servicio técnico de garantía.

### Control del nivel de aceite

1. Quite los tornillos que sostienen la cubierta del alojamiento.
2. Coloque la cabeza de la herramienta hacia abajo y quite el tapón del tanque de aceite. Llene el tanque si es necesario.
3. Reemplace el tapón de aceite y la cubierta del alojamiento.

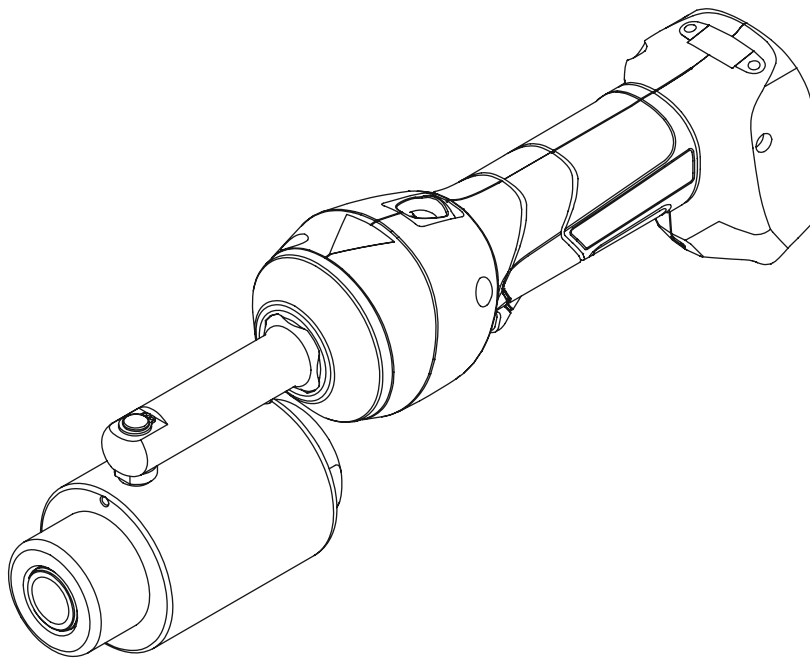
## Resolución de problemas

### Antes de comenzar

1. Asegúrese de que la batería esté cargada. Vuelva a controlar la batería después de varios minutos para asegurarse de que esta mantenga su carga.
2. Utilice una goma de lápiz o un limpiador de contacto **no inflamable** para limpiar los contactos eléctricos en la batería y la herramienta.
3. Vuelva a instalar la batería y controle la herramienta nuevamente.

Problema	Posible causa	Solución probable
La herramienta no funciona.	Suciedad, contaminantes, etc. en el área del pistón de la herramienta.	Limpie la herramienta.
	Componentes de la herramienta gastados o dañados.	Comuníquese con el servicio de atención al cliente de Greenlee al número 800-435-0786 para reparaciones o servicio técnico de garantía.
El motor no funciona.	Batería baja o descargada.	Pruebe una batería que sepa que está cargada. La batería que no funciona puede estar descargada o es posible que su vida útil haya culminado.
	Componentes del interruptor rotos.	Comuníquese con el servicio de atención al cliente de Greenlee al número 800-435-0786 para reparaciones o servicio técnico de garantía.
El motor funciona pero la herramienta no completa un ciclo.	Nivel bajo de aceite.	Comuníquese con el servicio de atención al cliente de Greenlee al número 800-435-0786 para reparaciones o servicio técnico de garantía.
	Aire en el sistema hidráulico.	Presione el gatillo y sostenga el botón de retorno simultáneamente. Accione durante 10 segundos aproximadamente y, luego, intente perforar. Si no tiene éxito, comuníquese con el servicio de atención al cliente de Greenlee al número 800-435-0786 para reparaciones o servicio técnico de garantía.
	Aceite frío.	Presione el gatillo y sostenga el botón de retorno simultáneamente para calentar el aceite. Almacene la herramienta en áreas cálidas.
Los troqueles se detienen durante el funcionamiento.	Nivel bajo de aceite.	Comuníquese con el servicio de atención al cliente de Greenlee al número 800-435-0786 para reparaciones o servicio técnico de garantía.
	Aire en el sistema hidráulico.	Presione el gatillo y sostenga el botón de retorno simultáneamente. Sostenga por 10 segundos aproximadamente.
La luz LED resplandece por 20 segundos.	Cargador de batería bajo.	Cargue o cambie la batería.
La herramienta pierde aceite.	Juntas internas dañadas.	Comuníquese con el servicio de atención al cliente de Greenlee al número 800-435-0786 para reparaciones o servicio técnico de garantía.

# MODE D'EMPLOI



## **Outil de poinçonnement à emporte-pièces Intelli-PUNCH<sup>MC</sup> à commande hydraulique, à batterie**



**Veillez lire et comprendre** toutes les instructions et informations de sécurité du présent manuel avant d'utiliser cet outil ou d'en effectuer l'entretien.

Enregistrez ce produit sur [www.greenlee.com](http://www.greenlee.com)



## Table des matières

Description ..... 30  
 Sécurité ..... 30  
 Objet de ce manuel ..... 30  
 Informations de sécurité importantes..... 31–33  
 Identification ..... 34  
 Caractéristiques techniques..... 34  
 Configuration et fonctionnement..... 35–39  
 Guide de sélection des capacités et des tiges de traction ..... 40  
 Entretien ..... 41  
 Dépannage ..... 42

## Description

L’Outil de poinçonnement à emporte-pièces à commande hydraulique, à batterie Intelli-PUNCH<sup>MC</sup> de Greenlee est un Outil de poinçonnement autonome manuel, conçu pour être utilisé avec les poinçons, les matrices et les tiges de traction Greenlee pour poinçonner des trous à travers le plastique, la fibre de verre, l’aluminium et l’acier.

Cet outil est conçu pour être utilisé avec les accessoires Greenlee suivants :

- Poinçons, matrices et tiges de traction standard
- Poinçons, matrices et tiges de traction Slug-Buster<sup>MD</sup>
- Poinçons, matrices et tiges de traction Slug-Splitter<sup>MD</sup>
- Système à emporte-pièces SPEED PUNCH<sup>MD</sup>
- Poinçons pour tableau de raccordement électronique
- Poinçons, matrices et tiges de traction de forme spéciale (en « D », double « D », à clavette, carrée, rectangulaire et étanche à l’huile avec encoches)

Les poinçons standard, Slug-Buster, pour tableau de raccordement électronique et de forme spéciale peuvent percer des trous à travers le plastique, la fibre de verre, l’aluminium et l’acier. Les poinçons, les matrices et les tiges de traction Slug-Splitter peuvent poinçonner à travers tous ces matériaux ainsi que l’acier inoxydable. Se reporter au « Guide de sélection des capacités et des tiges de traction » dans le présent manuel pour obtenir des informations détaillées sur les formats des poinçons et les épaisseurs maximales des matériaux. Ne pas dépasser la capacité nominale du poinçon.

Cet outil est protégé par les brevets américains n° 6,276,186, 6,401,515, 7,086,979 et 7,254,982.

## Sécurité

Lors de l’utilisation et de l’entretien des outils et de l’équipement de Greenlee, la sécurité est essentielle. Les instructions de ce manuel et celles qui sont inscrites sur l’outil fournissent des informations qui permettent d’éviter les dangers et les manipulations dangereuses liés à l’utilisation de cet outil. Veuillez respecter toutes les informations de sécurité fournies.

## Objet de ce manuel

Le présent manuel a pour objet de familiariser l’utilisateur avec les procédures préconisées pour une utilisation et un entretien sans danger de l’outil Greenlee suivant :

Outil de poinçonnement à emporte-pièces à commande hydraulique, à batterie Intelli-PUNCH<sup>MC</sup>

Veuillez garder ce manuel à la disposition de tout le personnel.

Des manuels de rechange peuvent être obtenus gratuitement sur demande sur [www.greenlee.com](http://www.greenlee.com).

Toutes les caractéristiques sont nominales et peuvent changer lors d’améliorations du produit. Greenlee Textron Inc. décline toute responsabilité pour les dommages résultant d’un emploi détourné ou abusif de ses produits.

Kwik-Stepper, Slug-Buster, Slug-Splitter et SPEED PUNCH sont des marques déposées et Intelli-PUNCH<sup>MC</sup> est une marque de commerce de Textron Innovations Inc.



**Ne pas éliminer ni jeter ce produit!**

Pour obtenir des informations sur le recyclage, rendez-vous à [www.greenlee.com](http://www.greenlee.com).

**CONSERVEZ CE MANUEL**



# INFORMATIONS DE SÉCURITÉ IMPORTANTES



## SYMBOLE D'AVERTISSEMENT

Ce symbole met en garde contre les risques et les manipulations dangereuses pouvant entraîner des blessures ou des dégâts matériels. Les mots indicateurs ci-dessous définissent la gravité du danger, et sont suivis d'informations permettant de prévenir ou d'éviter le danger.

### ⚠ DANGER

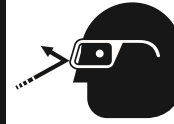
Danger immédiat qui, s'il n'est pas évité, ENTRAÎNERA des blessures graves ou la mort.

### ⚠ AVERTISSEMENT

Danger qui, s'il n'est pas évité, POURRAIT entraîner des blessures graves ou la mort.

### ⚠ ATTENTION

Dangers ou manipulations dangereuses qui, s'ils ne sont pas évités, SONT SUSCEPTIBLES d'entraîner des blessures ou des dégâts matériels.



### ⚠ AVERTISSEMENT

Veiller à porter des lunettes de protection lors de l'utilisation ou de l'entretien de cet outil.

L'absence de protection oculaire peut entraîner des lésions oculaires graves causées par des projections de débris ou de liquide hydraulique.



### ⚠ AVERTISSEMENT

Danger d'injection sous la peau :

Ne pas utiliser les mains pour contrôler l'étanchéité hydraulique. Le liquide sous pression peut aisément percer la peau. En cas de lésion, consulter immédiatement un médecin pour extraire le liquide hydraulique.

Le non-respect de cette mise en garde peut entraîner des blessures graves, la gangrène ou la mort.



### ⚠ AVERTISSEMENT

Ne pas utiliser de solvant ni de liquide inflammable pour nettoyer le boîtier de l'outil. Les solvants et les liquides inflammables peuvent s'enflammer et provoquer des blessures ou des dégâts matériels graves.



### ⚠ AVERTISSEMENT

Veillez lire et comprendre toutes les instructions et informations de sécurité de ce manuel avant d'utiliser cet outil ou d'effectuer son entretien.

Le non-respect de cette mise en garde peut entraîner des blessures graves ou la mort.



### ⚠ AVERTISSEMENT

Danger de décharge électrique :

Cet outil n'est pas isolé. Pour utiliser cet appareil sur des lignes électriques sous tension ou à proximité de celles-ci, porter l'équipement de protection individuelle approprié.

Le non-respect de cette mise en garde peut entraîner des blessures graves ou la mort.



### ⚠ AVERTISSEMENT

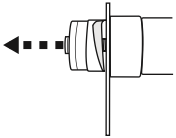
Points de pincement :

- Enlever la batterie avant de changer les matrices, adaptateurs ou mâchoires.
- Garder les mains éloignées de la tête de l'outil en poinçonnant.

Le non-respect de ces mises en garde peut entraîner des blessures graves ou la mort.



# INFORMATIONS DE SÉCURITÉ IMPORTANTES



**⚠ AVERTISSEMENT**

La défaillance d'un mécanisme peut provoquer la projection de pièces cassées.

- Ne permettre à personne de se tenir devant le poinçon ou derrière le vérin hydraulique.
- Fermer les panneaux d'accès ou les capots de toute machine placée dans l'alignement du poinçon ou le vérin.

Le non-respect de cette mise en garde peut entraîner des blessures graves ou la mort.

**⚠ AVERTISSEMENT**

- Inspecter l'outil pour s'assurer qu'il ne présente ni signes d'usure ni dommages. Remplacer tout élément usé, endommagé ou manquant en utilisant des pièces de rechange Greenlee. Un outil endommagé ou mal assemblé peut se rompre et heurter une personne à proximité avec suffisamment de violence pour provoquer une blessure grave ou la mort.
- Inspecter l'état d'usure ou d'endommagement du poinçon, de la matrice, de la tige de traction et des entretoises. Remplacer tout élément usé, endommagé ou manquant en utilisant des pièces de rechange Greenlee. Remplacer tout poinçon qui présente des surfaces de coupe émoussées.



**⚠ AVERTISSEMENT**

Ne pas tenter de poinçonner à travers deux épaisseurs de matériaux ou plus. Cela provoque la flexion ou la rupture de la tige de traction et peut projeter des pièces avec violence.

Le non-respect de cette mise en garde peut entraîner des blessures graves ou la mort.

**⚠ AVERTISSEMENT**

Ne pas dépasser la capacité nominale de cet outil. Le fait de dépasser la capacité nominale pourrait causer la défaillance d'un mécanisme, laquelle risquerait de projeter violemment des pièces brisées.

Le non-respect de cette mise en garde peut entraîner des blessures graves ou la mort.

**⚠ AVERTISSEMENT**

Configurer l'outil comme il se doit. Une configuration incorrecte pourrait provoquer une défaillance d'un mécanisme de l'outil, qui risquerait alors de heurter violemment un membre du personnel se trouvant à proximité.

- *Utiliser exclusivement des poinçons, matrices et tiges de traction Greenlee. Les pièces d'autres fabricants ne résistent pas aux forces développées par l'Outil de poinçonnement.*
- Configuration du poinçon manuel : Le poinçon doit être vissé complètement sur la tige de traction. Les filets du poinçon doivent être complètement engagés sur les filets de la tige de traction. Un assemblage incomplet peut provoquer une défaillance de l'outil.
- Configuration du poinçon hydraulique : La tige de traction doit être vissée complètement à l'intérieur de la tête de l'Outil de poinçonnement. Le poinçon doit être vissé complètement sur la tige de traction. Les filets du poinçon doivent être complètement engagés sur les filets de la tige de traction. Un assemblage incomplet peut provoquer une défaillance de l'outil.
- Configuration du poinçon SPEED PUNCH : La tige de traction doit être vissée complètement à l'intérieur de la tête de l'Outil de poinçonnement. Le dispositif de verrouillage SPEED LOCK doit s'engager pleinement sur la tige de traction et se fermer complètement. Un assemblage incomplet peut provoquer une défaillance de l'outil.

Le non-respect de ces mises en garde peut entraîner des blessures graves ou la mort.

**⚠ AVERTISSEMENT**

Ne pas jeter les batteries au feu. Elles émettraient alors des vapeurs nocives et seraient susceptibles d'exploser.

Le non-respect de cette mise en garde peut entraîner des lésions graves causées par les vapeurs nocives ou des brûlures par des projections de débris.





## **INFORMATIONS DE SÉCURITÉ IMPORTANTES**

### **⚠ATTENTION**

- Ne pas utiliser cet outil en continu. Au bout de 30 à 40 cycles de marche, le laisser refroidir pendant 15 minutes.
- Ne pas bloquer cet outil dans un étau. L'outil est conçu pour être utilisé à la main.
- Cet outil peut être utilisé dans des milieux humides ou mouillés, toutefois il est conseillé de le sécher à l'air avant utilisation s'il est très mouillé. L'utilisation de l'outil avant son séchage complet si ses composants électriques ont été mouillés peut provoquer des dommages.
- Utiliser cet outil exclusivement aux fins prévues par le fabricant.

Le non-respect de ces précautions peut entraîner des blessures ou des dégâts matériels.

### **⚠ATTENTION**

Ne rien laisser venir au contact des bornes de la batterie.

- Ne pas immerger la batterie dans un liquide. Le liquide peut produire un court-circuit et endommager la batterie. Si une batterie a été immergée, contacter le centre de réparation pour obtenir les conseils de manutention appropriée.
- Ne pas placer la batterie dans une poche, un porte-outils ou une caisse à outils contenant des objets conducteurs. Les objets conducteurs peuvent produire un court-circuit et endommager la batterie.
- Ne pas poser une batterie sur de la terre ou de l'herbe humide. L'humidité peut produire un court-circuit et endommager la batterie.

Le non-respect de ces précautions peut entraîner des blessures ou des dégâts matériels.

### **⚠ATTENTION**

- Ne pas entreposer la batterie à une température supérieure à 122 °F (50 °C) ou inférieure à -4 °F (-20 °C). Cela peut endommager la batterie.
- Ne pas utiliser un chargeur de marque différente. Les autres marques de chargeurs peuvent produire une surcharge et endommager la batterie.
- Ne pas tenter d'ouvrir la batterie. Elle ne contient aucune pièce réparable par l'utilisateur.

Le non-respect de ces précautions peut entraîner des blessures ou des dégâts matériels.

### **⚠ATTENTION**

N'effectuer aucune réparation ni opération d'entretien autre que celles décrites dans ce manuel. Cela peut entraîner des blessures ou des dommages à l'outil.

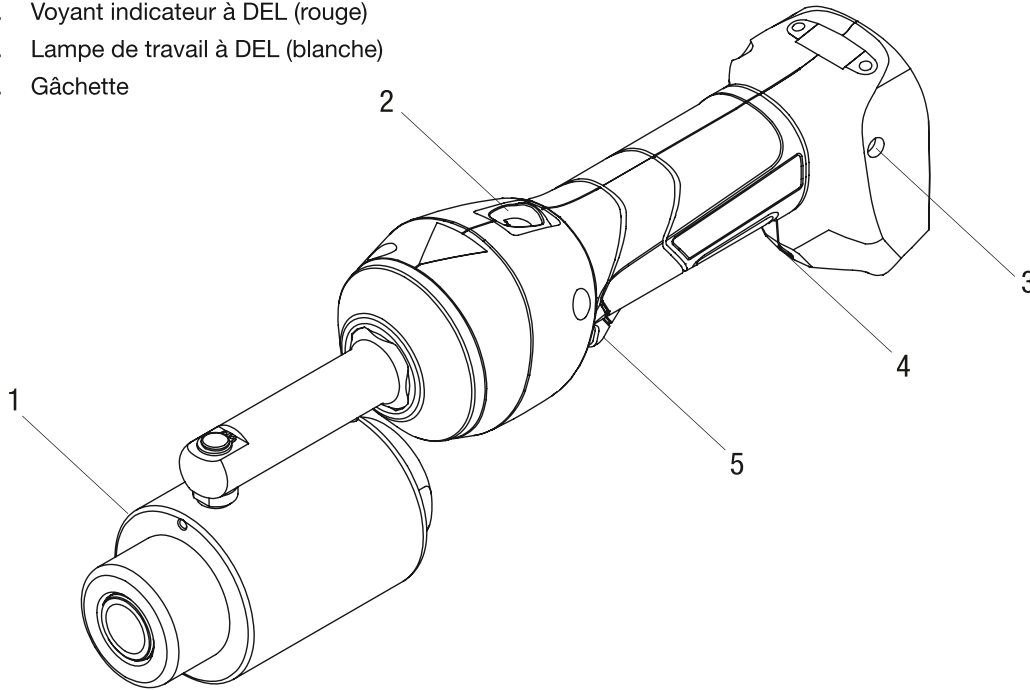
Le non-respect de cette précaution peut entraîner des blessures ou des dégâts matériels.

*Remarque : conserver toutes les décalcomanies dans un état propre et lisible et les remplacer au besoin.*



### Identification

- 1. Tête du poinçon
- 2. Bouton de retrait
- 3. Voyant indicateur à DEL (rouge)
- 4. Lampe de travail à DEL (blanche)
- 5. Gâchette



### Caractéristiques techniques

Outil de poinçonnement à emporte-pièces (sans batterie lithium-ion de 18 V, 3,0 Ah)

Longueur.....	14,4 po (366 mm)
Largeur.....	3,1 po (80 mm)
Profondeur.....	4,8 po (122 mm)
Poids.....	4,7 lb (2,1 kg)
Force.....	11,2 t (100 kN)
Liquide hydraulique .....	Liquide hydraulique biodégradable 52057878
Plage de température de service conseillée.....	De -5 °F à +122 °F (-15 °C à +50 °C)
Chargeur de pile .....	Lire les instructions fournies avec le chargeur de batterie

52047087	Transformateur à cordon 120 V c.a.	52049201	Chargeur 120 V c.a., 18 V
52047088	Transformateur à cordon 230 V c.a.	52049202	Chargeur 230 V c.a., 18 V
52047083	Batterie lithium-ion 18 V, 3,0 Ah	52049204	Chargeur 12 V c.c., 18 V



## Configuration et fonctionnement

### Poinçonnement

*Remarque : Intelli-PUNCH<sup>MC</sup> est un outil à poinçonner hydraulique piloté par microprocesseur doté d'une caractéristique de dégagement automatique, qui s'active à la fin du poinçonnement pour économiser du temps et épargner à l'opérateur de devoir dégager l'outil manuellement. Toutefois, on doit prendre soin de s'assurer que les poinçons et les matrices ne touchent pas le fond et que l'outil peut se dégager une fois le poinçonnement complété. Dans certaines circonstances, il est possible que la fonction de dégagement automatique fasse défaut.*

1. Se reporter aux illustrations des pages suivantes pour connaître la configuration et l'assemblage appropriés du poinçon, de la matrice, de l'entretoise et de la tige de traction.
2. Sélectionner le poinçon, la matrice et la tige de traction appropriés selon les dimensions recherchées du trou.
3. Déterminer et marquer l'emplacement exact du trou à poinçonner. À l'aide d'un foret à redans Greenlee Kwik Stepper<sup>MD</sup>, percer un trou légèrement plus grand que le diamètre de la tige de traction.
4. Enfoncer le bouton de retrait pour ramener le vérin à sa position de départ.
5. Visser la tige de traction appropriée complètement à l'intérieur du vérin, dans la tête du poinçon.
6. Si nécessaire, placer une entretoise de dimensions adéquates sur la tige de traction.
7. Faire glisser la matrice correspondante sur la tige de traction. Le bout ouvert de la matrice devrait être orienté à l'opposé de la tête du poinçon.
8. Insérer la tige de traction dans l'avant-trou du matériau qui est percé.
9. Visser le poinçon (bord tranchant vers le matériau) sur la tige de traction jusqu'à ce que l'ensemble du poinçon soit fermement positionné sur la surface du matériau.

*Remarque :*

- Les poinçons de 3 1/2 po à 6 po doivent être munis d'un manchon de poinçon pour pouvoir être monté sur la tige de traction.
  - Tous les filets du poinçon doivent être engagés à fond sur les filets de la tige de traction. Si les filets du poinçon ne sont pas tous engagés, retirer l'entretoise et remonter l'ensemble.
  - Dans le cas du poinçon SPEED PUNCH<sup>MD</sup>, faire glisser le poinçon sur la tige de traction (bord tranchant vers le matériau), puis assujettir le dispositif SPEED LOCK sur la tige de traction.
10. Appuyer sur la gâchette et la tenir enfoncée pour compléter le cycle de poinçonnement. L'outil de poinçonnement Intelli-PUNCH<sup>MC</sup> se dégagera automatiquement en détectant que le poinçon a complètement traversé le matériau.

## IMPORTANT

- Dans certaines circonstances, comme sur une tôle d'acier mince ou lorsque les forces de poinçonnement sont très faibles, cet appareil pourrait ne pas déclencher le dégagement automatique ou encore le déclencher prématurément. On doit prendre soin de ne pas aller jusqu'au fond avec le poinçon, ce qui causerait des dommages une fois le poinçonnement complété. Advenant l'activation prématurée d'un dégagement automatique, ressayer de poinçonner le trou.
- On peut à tout moment contourner la fonction de dégagement automatique pour arrêter le dégagement du vérin en enfonçant simplement la gâchette.
- Si une surpression est atteinte au cours du cycle de poinçonnement, l'outil se mettra à l'arrêt automatiquement et ramènera le vérin à sa position de départ. Ceci pourrait indiquer que l'opération souhaitée est au-delà de la capacité de l'outil. L'état de surpression se produit également lorsque l'outil atteint sa pleine course. (Il faut veiller à éviter d'enfoncer cet outil sur toute sa course, ceci pouvant causer des dommages au poinçon et à la matrice.)

11. Dévisser le poinçon de la tige de traction. Faire glisser hors de la tige de traction la matrice, et enlever de celle-ci toutes extrusions.

*Remarque : Dans le cas du poinçon SPEED PUNCH<sup>MD</sup>, enlever le dispositif de verrouillage SPEED LOCK. Faire glisser le poinçon hors de la tige de traction, puis faire glisser la matrice hors de la tige de traction, et enlever de celle-ci toutes extrusions.*

### Charger la batterie

Lire les instructions fournies avec le chargeur de batterie.

### Lampe de travail à DEL (blanche)

Cette lampe s'allume automatiquement lorsque la gâchette est enfoncée. Elle reste allumée pendant 10 secondes une fois que la gâchette est relâchée.

### Voyant indicateur à DEL (rouge)

Cet outil est équipé d'un circuit électronique spécial incorporant plusieurs fonctions importantes conçues pour informer l'utilisateur de l'état actuel de l'appareil. Le voyant à DEL signale les cas suivants :

Situation	Signal	Signification
Voyant continu pendant 20 secondes en fin de cycle		La charge de la batterie est inférieure à 17 V au début du cycle
L'outil ne démarre pas, et le voyant est continu pendant 20 secondes lorsque la gâchette est relâchée		La charge de la batterie est inférieure à 16 V au début du cycle
L'outil s'arrête, et le voyant est continu pendant 20 secondes lorsque la gâchette est relâchée		La tension de la batterie chute en dessous de 13 V durant le cycle
L'outil s'arrête, et le voyant clignote pendant 20 secondes lorsque la gâchette est relâchée		Le courant du moteur dépasse 20 A durant le cycle Le circuit a surchauffé



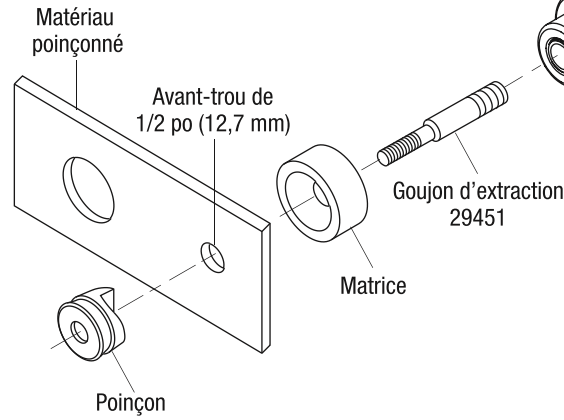
**Configuration et fonctionnement (suite)**

**ACIER INOXYDABLE**

Remarque : Voir les caractéristiques techniques de capacité, de tige de traction et de la quincaillerie dans le Guide de sélection des capacités et des tiges de traction, à la p. 12.

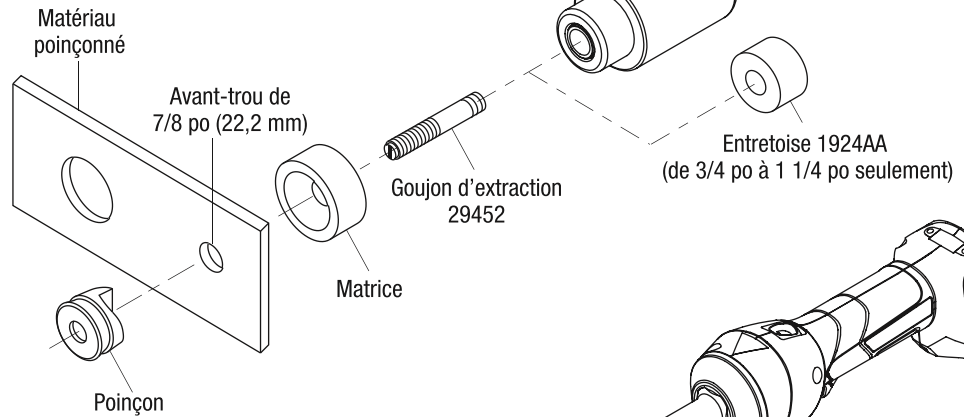
**Poinçonnement d'acier inoxydable**

- Canalisation de 1/2 po (diam. de 0,885 po/22,5 mm)



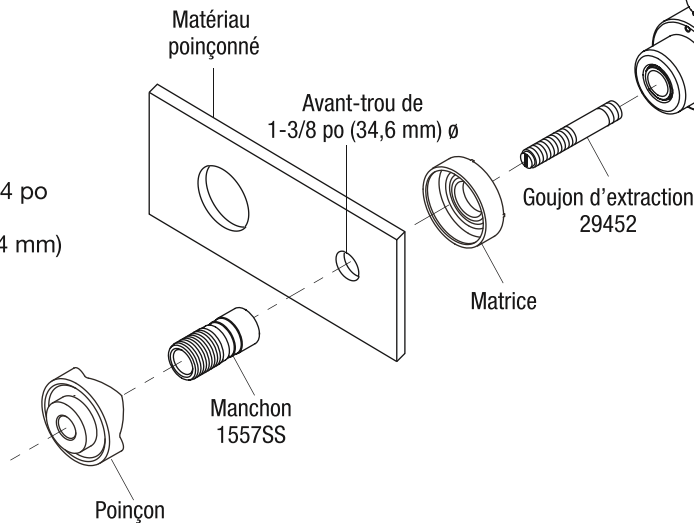
**Poinçonnement d'acier inoxydable**

- Canalisation de 3/4 po à 3 po (diam. de 1,115 po à 3,539 po/28,3 mm à 89,9 mm)



**Poinçonnement d'acier inoxydable**

- Canalisation de 3 1/2 po à 4 po (diam. de 4,011 po à 4,544 po/102,7 mm à 115,4 mm)





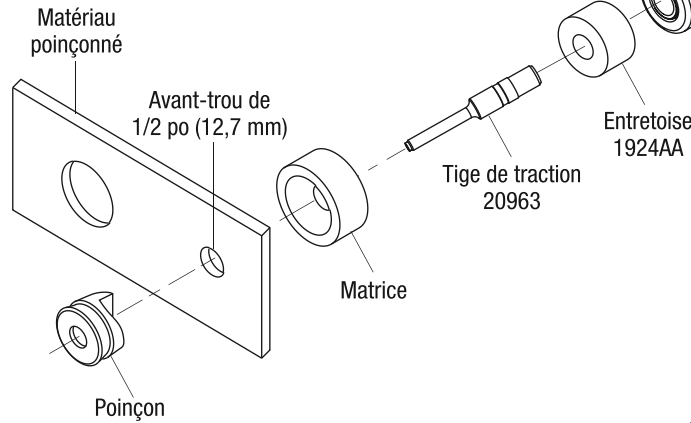
### Configuration et fonctionnement (suite)

## ACIER DOUX

Remarque : Voir les caractéristiques techniques de capacité, de tige de traction et de la quincaillerie dans le Guide de sélection des capacités et des tiges de traction, à la p. 12.

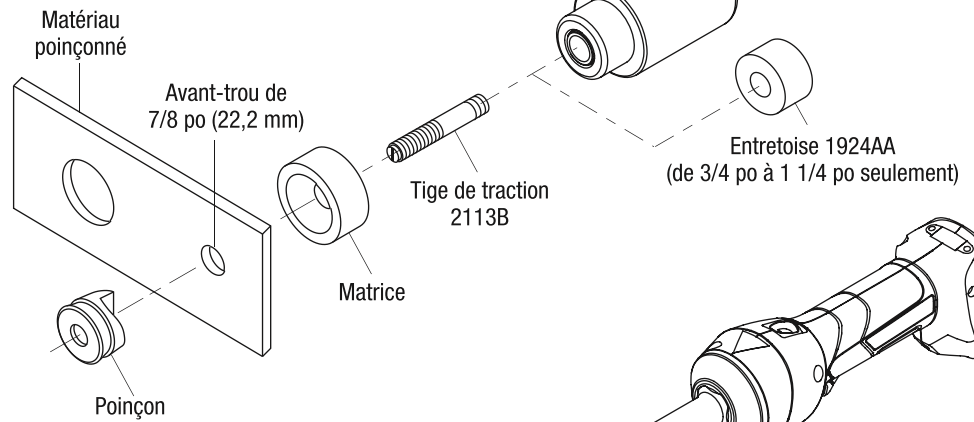
#### Poinçonnement d'acier doux

- Canalisation de 1/2 po (diam. de 0,885 po/ 22,5 mm)



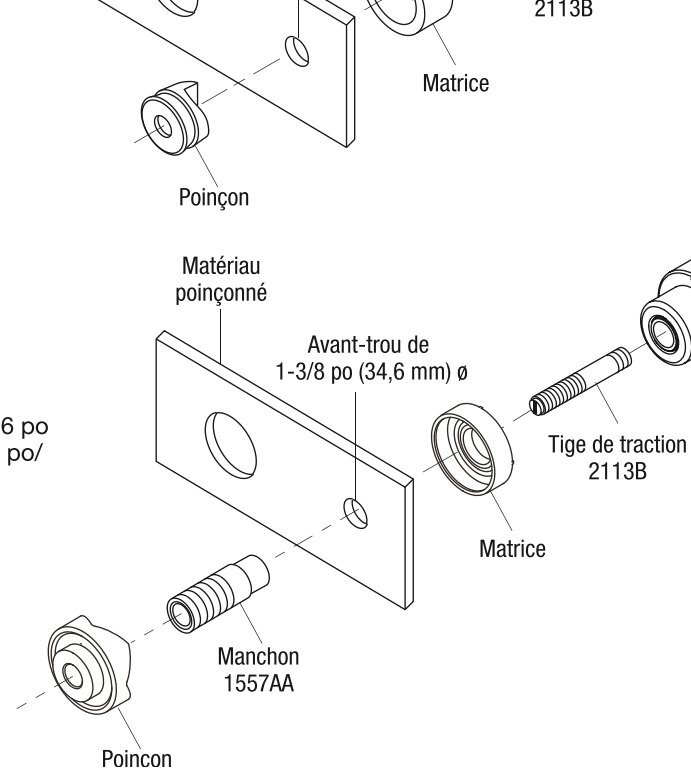
#### Poinçonnement d'acier doux

- Canalisation de 3/4 po à 3 po (diam. de 1,115 po à 3,539 po/28,3 mm à 89,9 mm)



#### Poinçonnement d'acier doux

- Canalisation de 3 1/2 po à 6 po (diam. de 4,011 po à 6,375 po/ 102,7 mm à 161,9 mm)



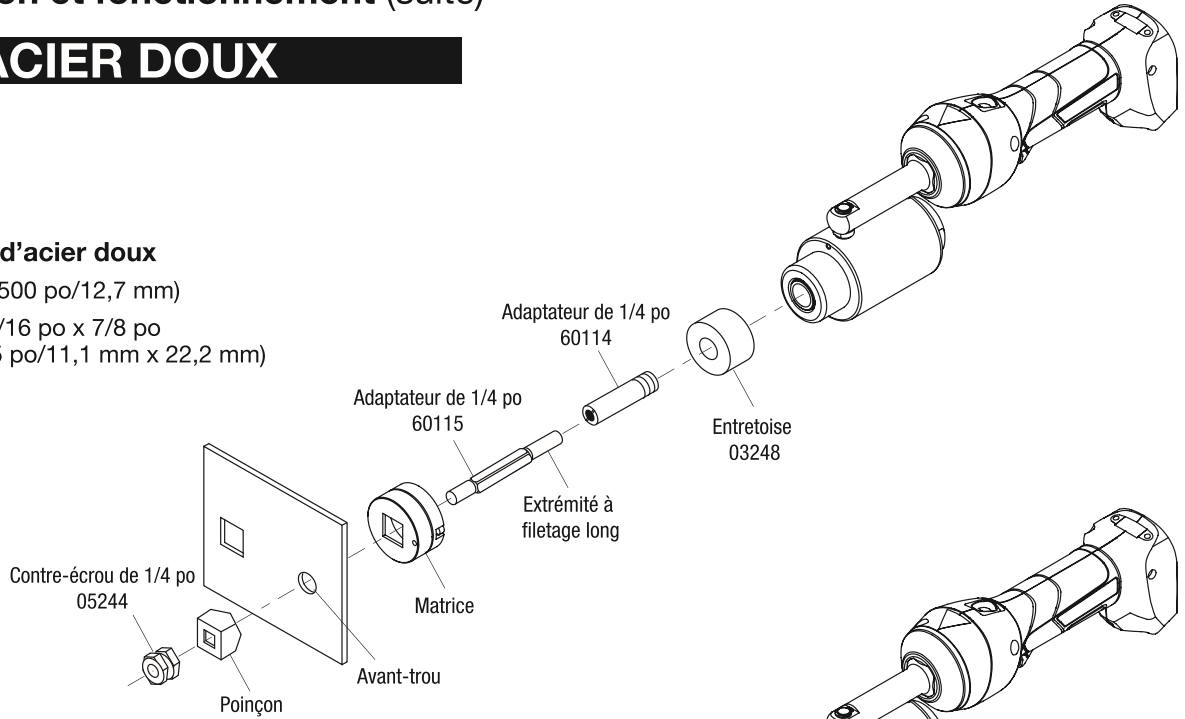


**Configuration et fonctionnement (suite)**

**ACIER DOUX**

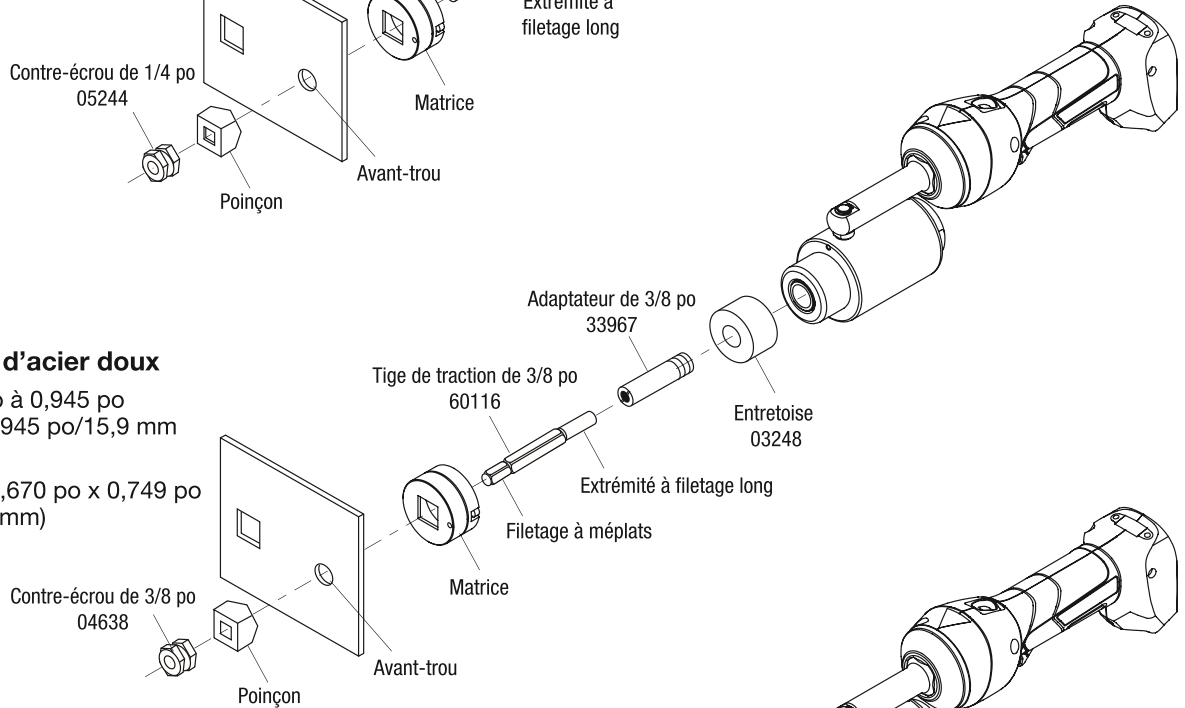
**Poinçonnement d'acier doux**

- Carré : 1/2 po (0,500 po/12,7 mm)
- Rectangulaire : 7/16 po x 7/8 po (0,437 po x 0,875 po/11,1 mm x 22,2 mm)



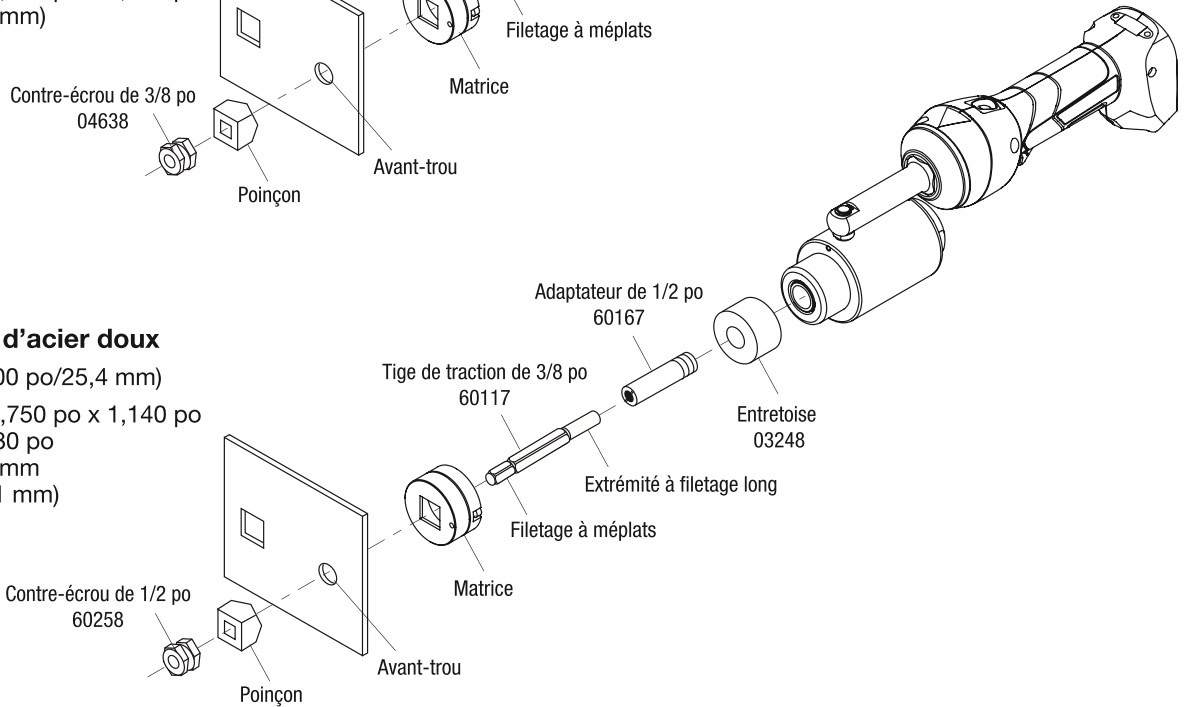
**Poinçonnement d'acier doux**

- Carré : De 5/8 po à 0,945 po (de 0,625 po à 0,945 po/15,9 mm à 24,0 mm)
- Rectangulaire : 0,670 po x 0,749 po (17,0 mm x 19,0 mm)



**Poinçonnement d'acier doux**

- Carré : 1 po (1,000 po/25,4 mm)
- Rectangulaire : 0,750 po x 1,140 po à 1,250 po x 1,380 po (19,1 mm x 29,0 mm à 31,8 mm x 35,1 mm)



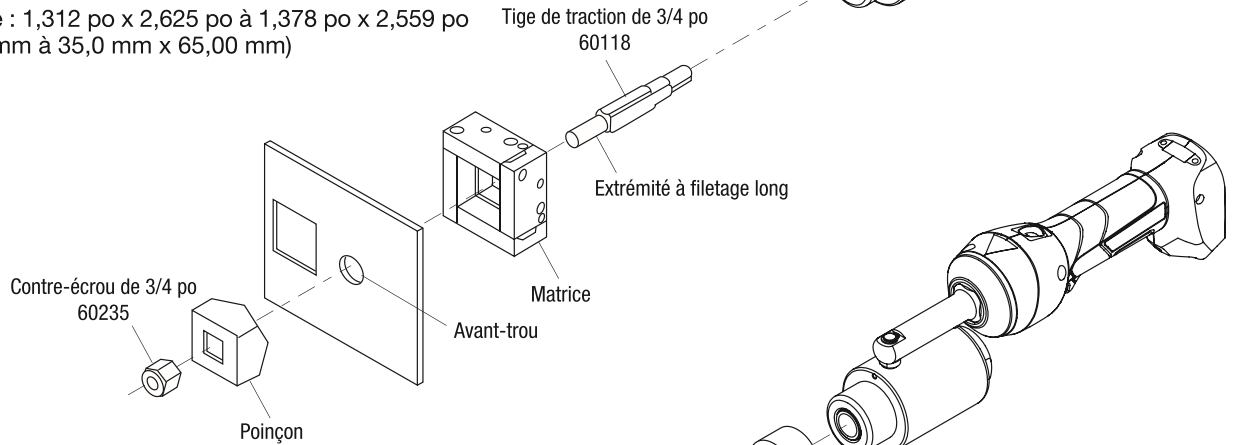


**Configuration et fonctionnement (suite)**

**ACIER DOUX**

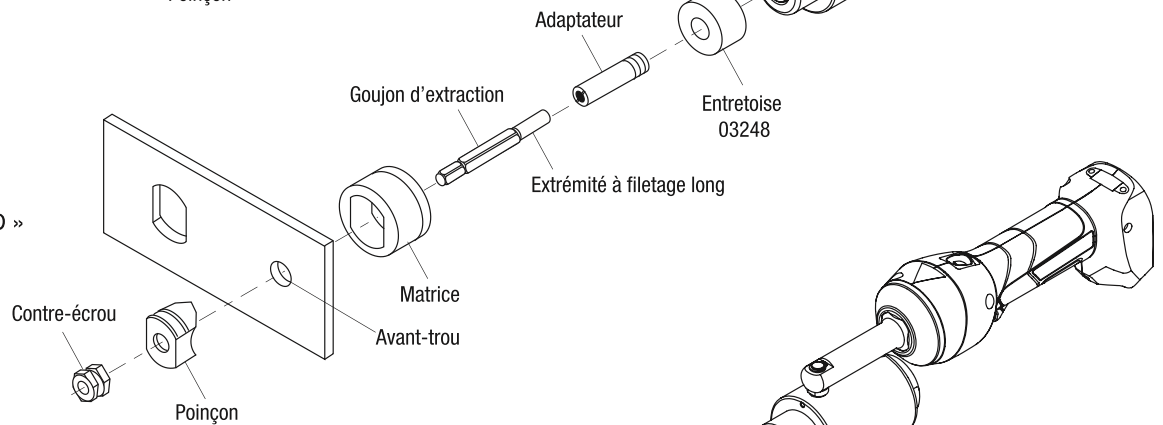
**Poinçonnement d'acier doux**

- Carré : De 1,811 po à 2,677 po (46,0 mm à 68,0 mm)
- Rectangulaire : 1,312 po x 2,625 po à 1,378 po x 2,559 po (33,3 x 66,7 mm à 35,0 mm x 65,00 mm)



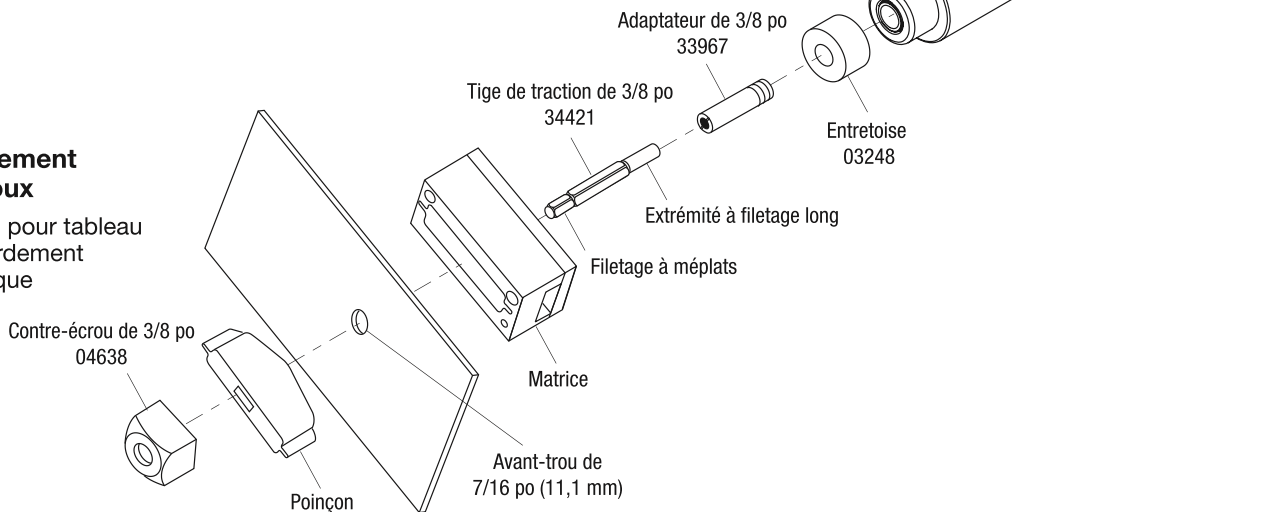
**Poinçonnement d'acier doux**

- Poinçons en « D »
- Poinçons double « D »
- Poinçons à clavette



**Poinçonnement d'acier doux**

- Poinçons pour tableau de raccordement électronique





## Guide de sélection des capacités et des tiges de traction

ACIER INOXYDABLE				
Poinçons Slug-Splitter et tiges de traction/poinçons de fort diamètre				
Calibre de l'acier	DIMENSIONS, TUYAUX ET CANALISATIONS			
	1/2 po	De 3/4 po à 1 1/4 po	De 1 1/2 po à 3 po	De 3 1/2 po à 4 po
Cal. 10 (0,134 po/3 mm)	C, E	D, E	D	S.O.
Cal. 12 (0,104 po/2,5 mm)				D, G
Cal. 14 (0,074 po/2 mm)				

ACIER DOUX					
Poinçons Slug-Buster et standard/tiges de traction					
Calibre de l'acier	DIMENSIONS, TUYAUX ET CANALISATIONS				
	1/2 po	De 3/4 po à 1 1/4 po	De 1 1/2 po à 3 po	De 3 1/2 po à 4 po	De 5 po à 6 po
Cal. 10 (0,134 po/3 mm)	A, E	B, E	B	B, F	S.O.
Cal. 12 (0,104 po/2,5 mm)					B, F
Cal. 14 (0,074 po/2 mm)					B, F

ACIER DOUX	
Poinçons pour raccordement électronique	
Calibre de l'acier	RS232, 229, 231, 234, 238
Cal. 16 (0,0598 po/1,5 mm)	Adaptateur 33967, entretoise 1924AA

## Clavette

Élément	Tige de traction et éléments de quincaillerie	
	N° de référence	Description
A	20963	Tige de traction, 3/8 po x 4,8 po
B	2113B	Tige de traction, 3/4 po x 5,38 po
C	29451	Tige de traction (acier inoxydable), 7/16 po x 4,25 po
D	29452	Tige de traction (acier inoxydable), 3/4 po x 5,5 po
E	1924AA	Entretoise, 7/8 po
F	1557AA	Manchon de poinçon, 1 1/8 po x 3 po
G	1557SS	Manchon de poinçon (acier inoxydable), 1 1/8 po x 3 po





### Entretien

	<b>⚠ AVERTISSEMENT</b>
	<p>Veiller à porter des lunettes de protection lors de l'utilisation ou de l'entretien de cet outil.</p> <p>L'absence de protection oculaire peut entraîner des lésions oculaires graves causées par des projections de débris ou de liquide hydraulique.</p>

	<b>⚠ AVERTISSEMENT</b>
	<p>Danger d'injection sous la peau :</p> <p>Ne pas utiliser les mains pour contrôler l'étanchéité hydraulique. Le liquide sous pression peut aisément percer la peau. En cas de lésion, consulter immédiatement un médecin pour extraire le liquide hydraulique.</p> <p>Le non-respect de cette mise en garde peut entraîner des blessures graves, la gangrène ou la mort.</p>

	<b>⚠ AVERTISSEMENT</b>
	<p>Ne pas utiliser de solvant ni de liquide inflammable pour nettoyer le boîtier de l'outil. Les solvants et les liquides inflammables peuvent s'enflammer et provoquer des blessures ou des dégâts matériels graves.</p>

	<b>⚠ AVERTISSEMENT</b>
	<p>Points de pincement :</p> <ul style="list-style-type: none"> <li>• Enlever la batterie avant de changer les matrices, adaptateurs ou mâchoires.</li> <li>• Garder les mains éloignées de la tête de l'outil en poinçonnant.</li> </ul> <p>Le non-respect de ces mises en garde peut entraîner des blessures graves ou la mort.</p>

<b>IMPORTANT</b>
Les réglages de la soupape de décharge doivent être effectués par un centre de réparation agréé.

### Chaque jour

*Avant utilisation :*

1. Vérifier l'absence d'usure et de dommages tels que fissures, entailles ou éclats.
2. Vérifier que l'outil ne présente pas de dommages ni de fuites.
3. Vérifier la rotation de la tête de l'outil. Rentrer complètement le vérin. La tête devrait tourner librement. Si un dommage est détecté, communiquer avec le service à la clientèle de Greenlee, au 800-435-0786, pour obtenir une intervention de service ou de réparation au titre de la garantie.

*Après utilisation :*

1. Utiliser un chiffon humide et un détergent doux pour nettoyer le boîtier. Laisser le boîtier sécher.
2. Rentrer complètement le vérin. Placer l'outil dans son étui de transport et le ranger dans un endroit frais et sec.
3. Le cas échéant, recharger les batteries. Se reporter aux instructions fournies avec le chargeur de batterie.

### Chaque mois

1. Nettoyer toutes les surfaces avec soin.
2. Contrôler le niveau de liquide hydraulique.

### Chaque année, ou après 10 000 poinçons

1. Changer le liquide hydraulique.
2. Communiquer avec le service à la clientèle de Greenlee à 800-435-0786 pour obtenir une intervention de service ou de réparation au titre de la garantie.

### Contrôle du niveau de liquide hydraulique

1. Déposer les vis de fixation du capot de boîtier.
2. Pointer la tête de l'outil vers le bas, et retirer le bouchon du réservoir hydraulique. Faire le plein du réservoir si nécessaire.
3. Remettre le bouchon du réservoir et le capot en place.



## Dépannage

### Avant de commencer

1. S'assurer que la batterie est chargée. Revérifier la batterie au bout de quelques minutes pour s'assurer qu'elle tient la charge.
2. Utiliser un nettoie-contact **inflammable** ou une gomme à crayon pour nettoyer les contacts électriques de la batterie et de l'outil.
3. Remettre la batterie en place et revérifier l'outil.

Problème	Cause possible	Solution probable
L'outil ne fonctionne pas.	Saleté, corps étrangers, etc. au niveau du vérin.	Nettoyer l'outil.
	Éléments de l'outil usés ou endommagés.	Communiquer avec le service à la clientèle de Greenlee, au 800-435-0786, pour obtenir une intervention de service ou de réparation au titre de la garantie.
Le moteur ne fonctionne pas.	Batterie faible ou déchargée.	Essayer avec une batterie chargée connue. La batterie inopérante peut être déchargée ou avoir atteint la fin de sa durée de service.
	Pièces de commutateur cassées.	Communiquer avec le service à la clientèle de Greenlee, au 800-435-0786, pour obtenir une intervention de service ou de réparation au titre de la garantie.
Le moteur tourne, mais l'outil n'exécute pas un cycle complet.	Niveau hydraulique insuffisant.	Communiquer avec le service à la clientèle de Greenlee, au 800-435-0786, pour obtenir une intervention de service ou de réparation au titre de la garantie.
	Air dans le circuit hydraulique.	Appuyer sur la gâchette et tenir enfoncé simultanément le bouton de retrait. Tenir environ 10 secondes, puis essayer de poinçonner. Si cette opération ne réussit pas, communiquer avec le service à la clientèle de Greenlee, au 800-435-0786, pour obtenir une intervention de service ou de réparation au titre de la garantie.
	Liquide hydraulique froid.	Appuyer sur la gâchette et tenir enfoncé simultanément le bouton de retrait pour chauffer le liquide. Entreposer l'outil dans un endroit chaud.
Les matrices s'arrêtent durant l'opération.	Niveau hydraulique insuffisant.	Communiquer avec le service à la clientèle de Greenlee, au 800-435-0786, pour obtenir une intervention de service ou de réparation au titre de la garantie.
	Air dans le circuit hydraulique.	Appuyer sur la gâchette et tenir enfoncé simultanément le bouton de retrait. Tenir pendant 10 secondes environ.
Le voyant à DEL s'allume pendant 20 secondes.	Batterie déchargée.	Charger ou changer la batterie.
L'outil perd du liquide hydraulique.	Joint interne endommagé.	Communiquer avec le service à la clientèle de Greenlee, au 800-435-0786, pour obtenir une intervention de service ou de réparation au titre de la garantie.





4455 Boeing Drive • Rockford, IL 61109-2988 • USA • 815-397-7070  
An ISO 9001 Company • Greenlee Textron Inc. is a subsidiary of Textron Inc.

[www.greenlee.com](http://www.greenlee.com)

**USA** Tel: 800-435-0786  
Fax: 800-451-2632

**Canada** Tel: 800-435-0786  
Fax: 800-524-2853

**International** Tel: +1-815-397-7070  
Fax: +1-815-397-9247