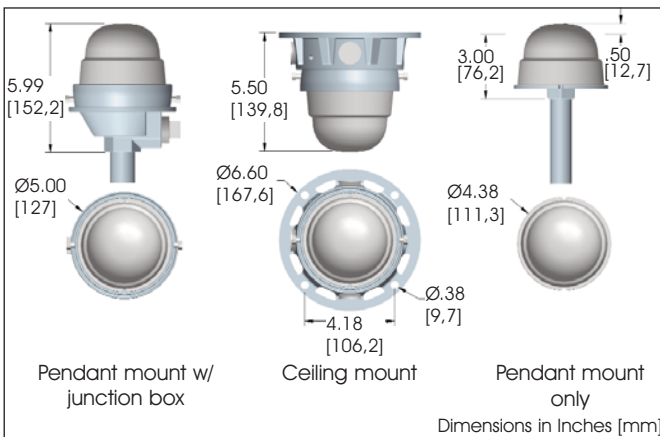




Patents Pending
Shown with Junction Box

DuroSite™ Series LED Visual Signal Lights



Certifications & Compliance

- ▷ UL1598
- ▷ CSA C22.2 #250
- ▷ IP66 rated, NEMA 4X

Features & Benefits:

- ▷ Low power consumption
- ▷ Instant on/off response
- ▷ Weather/corrosion resistant lamp assembly and housing
- ▷ Universal input (120-240 VAC), 50/60 Hz
- ▷ Resistant to shock and vibration
- ▷ 5 year warranty

Order Codes:

Part Number	Color	Mounting
RTO-AW07-001	White	Pendant mount w/ junction box
RTO-AW07-004	White	Pendant mount only
RTO-AW07-005	White	Ceiling mount
RTO-OR07-001	Red	Pendant mount w/ junction box
RTO-OR07-004	Red	Pendant mount only
RTO-OR07-005	Red	Ceiling mount
RTO-OG07-001	Green	Pendant mount w/ junction box
RTO-OG07-004	Green	Pendant mount only
RTO-OG07-005	Green	Ceiling mount
RTO-OB07-001	Blue	Pendant mount w/ junction box
RTO-OB07-004	Blue	Pendant mount only
RTO-OB07-005	Blue	Ceiling mount
RTO-OY07-001	Yellow	Pendant mount w/ junction box
RTO-OY07-004	Yellow	Pendant mount only
RTO-OY07-005	Yellow	Ceiling mount

Application:

The most compact, durable signal lights on the market, Dialight's LED visual indicators deliver at least five years of continuous, worry-free operation with a durable polycarbonate lens that is virtually vandal-proof. This combination of durability and long-life reliability significantly reduces the maintenance time and cost required of traditional signal lighting and virtually eliminates the risk of a light burning out—a serious problem that can prevent an individual in danger from getting the help they need in an emergency.

The LED visual signal lights provide an ideal solution for reliable indicator lighting for both indoor and outdoor call boxes and emergency telephone locations, or for safety showers or eye wash stations.

Mechanical Information:

- Container Dimensions:** 7.60" x 5.25" x 5.75"
193.04mm x 133.35 mm x 146.05mm
- Container Weight:** 2 lbs (0.91 kg)
- Mounting:**
Pendant Mount (-001) - 1" & 3/4" NPT reducer bi-directional mounting
Pendant Mount (-004) - with 3/4" NPT threaded conduit
Ceiling Mount (-005) - 3/4" NPT 5-way surface mounting

Electrical specifications:

- Operating Voltage:** 120-240 VAC, 50/60 Hz
- Power Consumption:** 8W (nom)
- Operating Temp:** -40°F to +133°F (-40°C to +55°C)
- Surge / Lightning Protection:** 1 kV line to line
2 kV line to ground
- THD:** < 20 %
- Power Factor:** > 0.9

Material:

- Housing:** Diecast powder coat aluminum base
- Lens:** UV stabilized abrasion resistant polycarbonate
Scratch resistant

Accessories - Wall Mount Kits:

Part Number	Mounting
RTO-1000	Flush wall mount
RTO-1001	Junction box wall mount



²Meets Buy American

¹For use with pendant mount fixtures

²For projects requiring Buy American certification, consult factory for additional information

DuroSite™ Series LED Visual Signal Lights Mounting Options



Conduit not supplied

**Pendant Mount Configuration
RTO-XX07-001
(w/ Junction Box)**



**Ceiling Mount Configuration
RTO-XX07-005
(w/ Junction Box)**



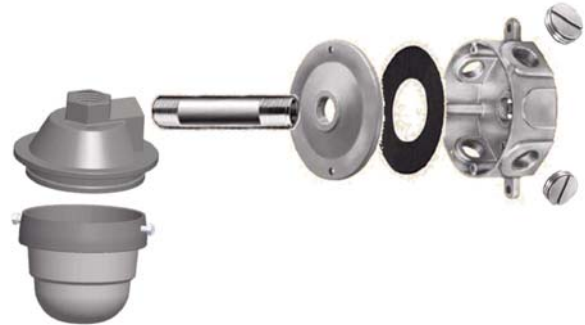
Conduit not supplied

**Pendant Mount Configuration
RTO-XX07-004**

DuroSite™ Series LED Visual Signal Lights Mounting Accessories



**Flush Wall Mount
RTO-1000**



**Junction Box Wall Mount
RTO-1001**

Dialight reserves the right to make changes at any time in order to supply the best product possible.

The most current version of this document will always be available at:

www.dialight.com/Assets/Brochures_And_Catalogs/Illumination/MDTFCVSLX001.pdf

MDTFCVSLX001_B