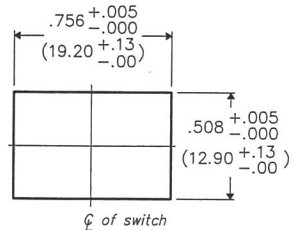
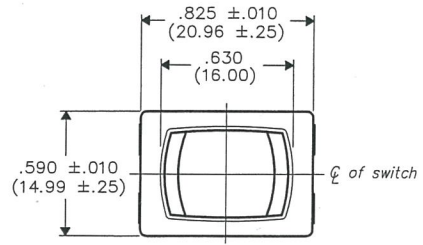
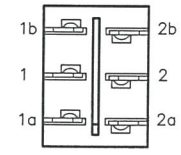


DIMENSIONS IN INCHES (MILLIMETERS)  
DO NOT SCALE DRAWING .....

Dwg. No.  
**GRS-4023A-0009**



**PANEL PIERCING**



**BOTTOM VIEW**

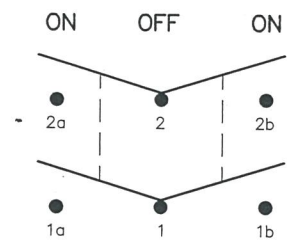
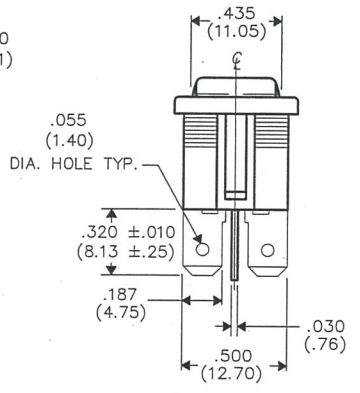
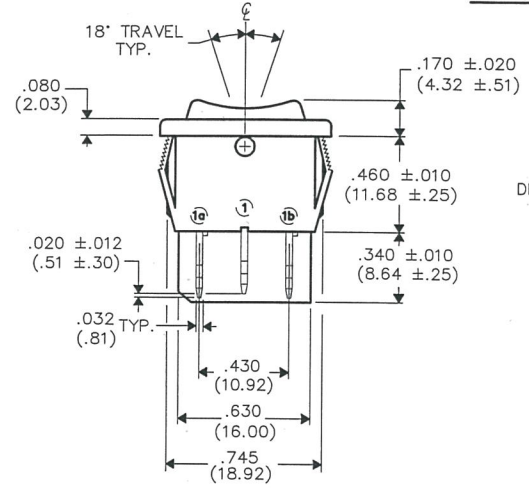
**MATERIAL:**

ROCKER KNOB- Nylon 6/6, Color - Red  
HOUSING- Nylon 6/6, Color - Black

**ELECTRICAL RATING-**

13A 125VAC 5A 14V T  
10A 250VAC 1/2 H.P. 125-250VAC

**LISTING AGENCIES-**



E  
D  
C  
B  
A

1 2 3 4 5 6 7 8 9 10

FORM-B4 <b>REVISIONS</b>	0	RELEASED 8-13-2008 DCW
	1	ADDED NOTES AND SWITCH FUNCTION TO DRAWING. DCW
	JUN 25 2014	

ATTENTION  
THIS DRAWING AND ITS ATTACHMENTS, IF ANY, ARE PROPRIETARY TO CW INDUSTRIES AND DESCRIBE DESIGNS THAT ARE CONFIDENTIAL AND MUST NOT BE DISCLOSED UNLESS AUTHORIZED, IN WRITING, BY AN OFFICER OF CW INDUSTRIES.....

<b>cw INDUSTRIES</b> Southampton, Pa. 18966	
TOLERANCES UNLESS OTHERWISE SPECIFIED	
2 Place Decimal ±.010	METRIC
3 Place Decimal ±.005	1 Place Dec. ±.25mm
Angles ..... ±1°	2 Place Dec. ±.13mm
Made for: CW IND.	
Drawn by: DGW 8-13-2008	
Checked by: G. GULD 6-25-14	
Approval: <i>[Signature]</i>	

Title: <b>ASSEMBLY ROCKER SWIDGET D.P.- CENTER OFF ON-OFF-ON</b>
Division: <b>SWITCH</b>
Dwg. No. <b>GRS-4023A-0009</b>

**MASTER**