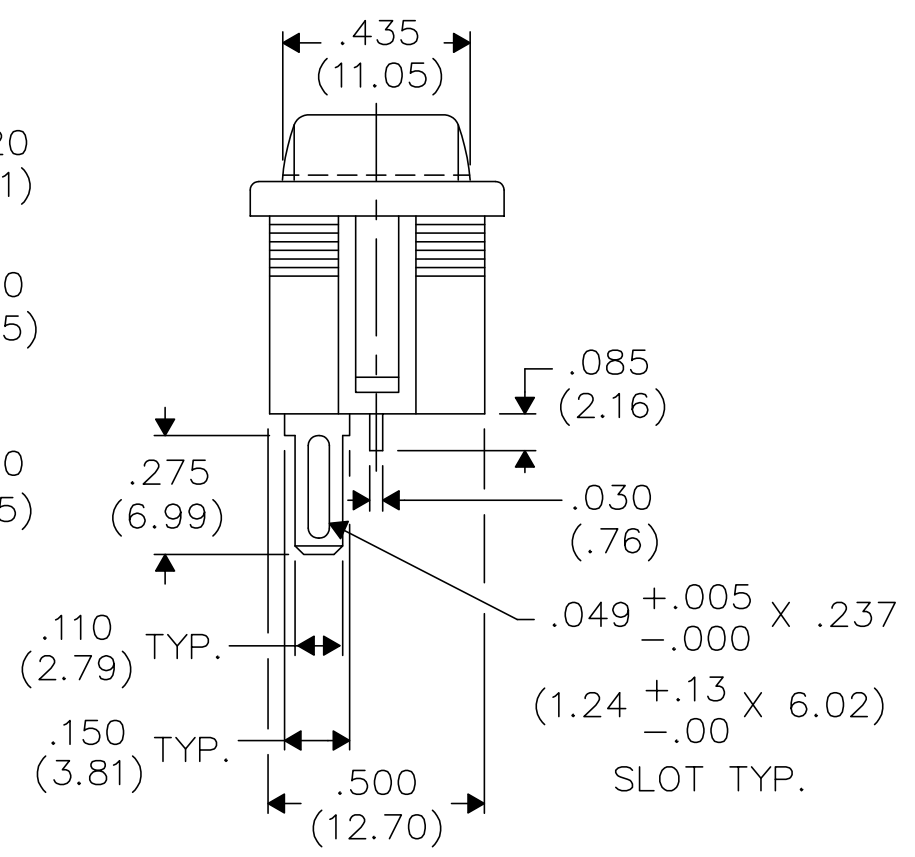
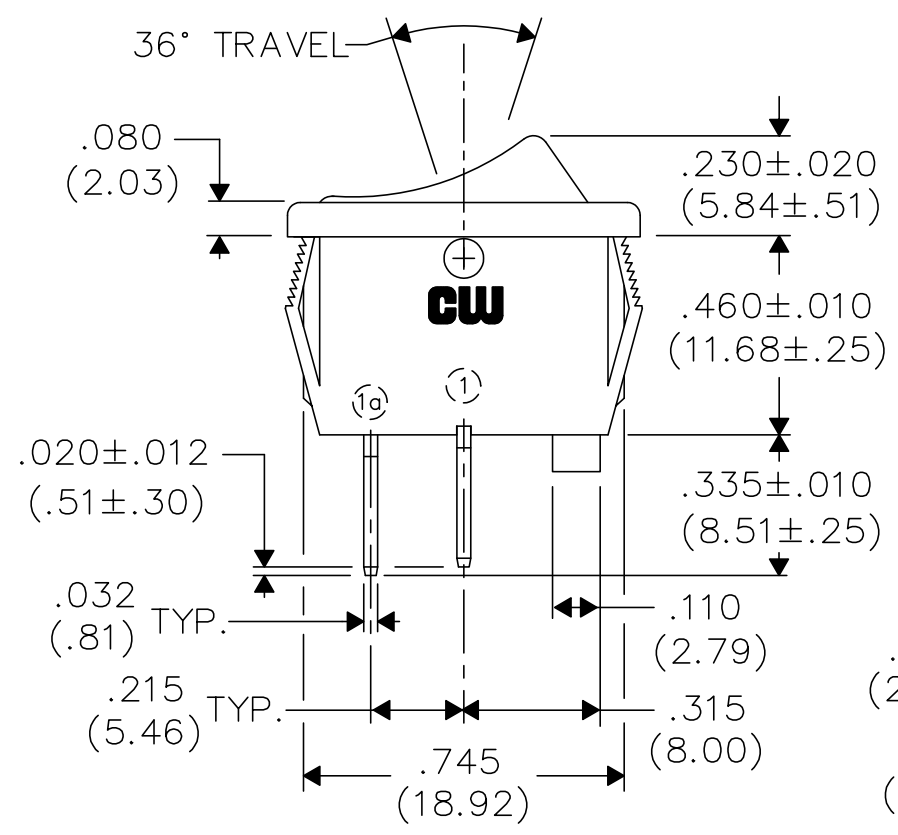
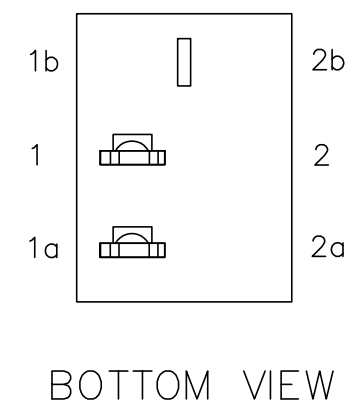
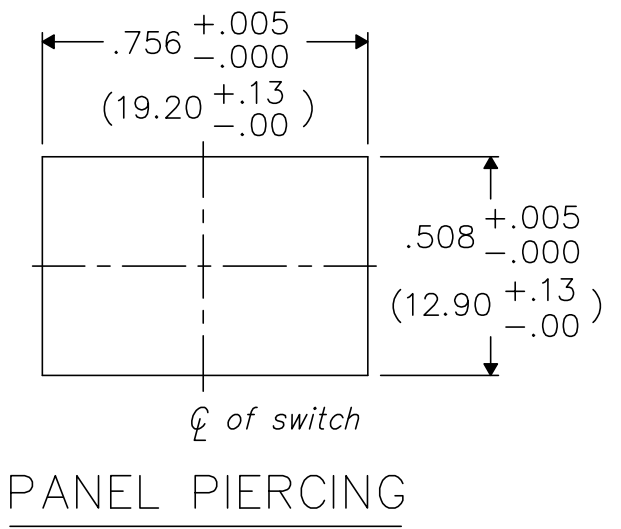
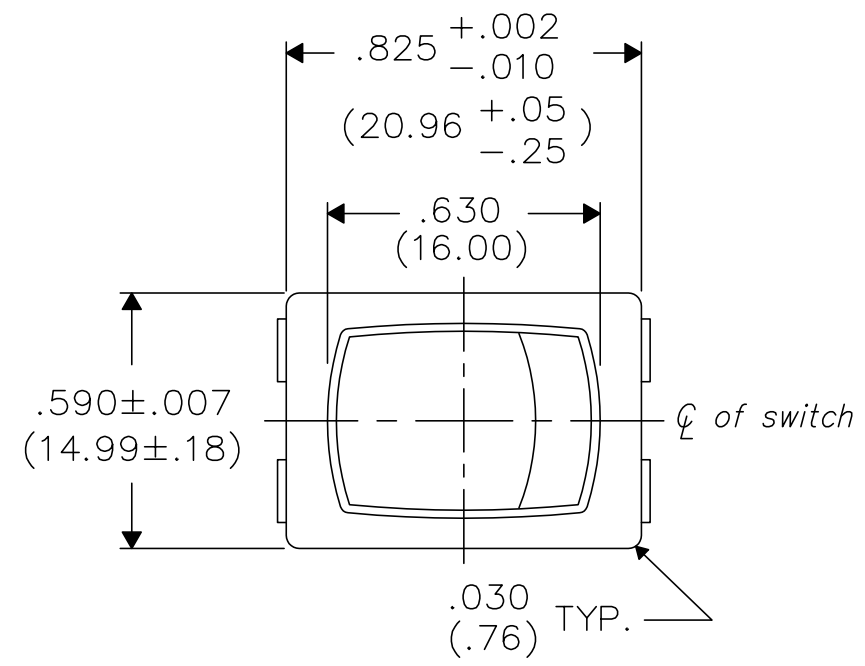


DIMENSIONS IN INCHES (MILLIMETERS)
DO NOT SCALE DRAWING

Dwg. No.
GRS-4011-0024



1 2 3 4 5 6 7 8 9 10

B-FORMAT 2002
REVISIONS
0
RELEASED.
DGW 2-04-2002
2-06-02

PDF FILE MADE (QRO)	CW INDUSTRIES Southampton, Pa. 18966		Title: ASSEMBLY DRAWING SWIDGET
	TOLERANCES UNLESS OTHERWISE SPECIFIED		
	2 Place Decimal ±.010	METRIC	Division: SWITCH
	3 Place Decimal ±.005	1 Place Dec. ±.25mm	
Angles ±1°	2 Place Dec. ±.13mm	Dwg. No. GRS-4011-0024	
Made for:	CW IND.		
Drawn by:	DGW 2-04-2002		
Checked by:	GG 2-06-2002		
Approval:	BF 2-06-2002		