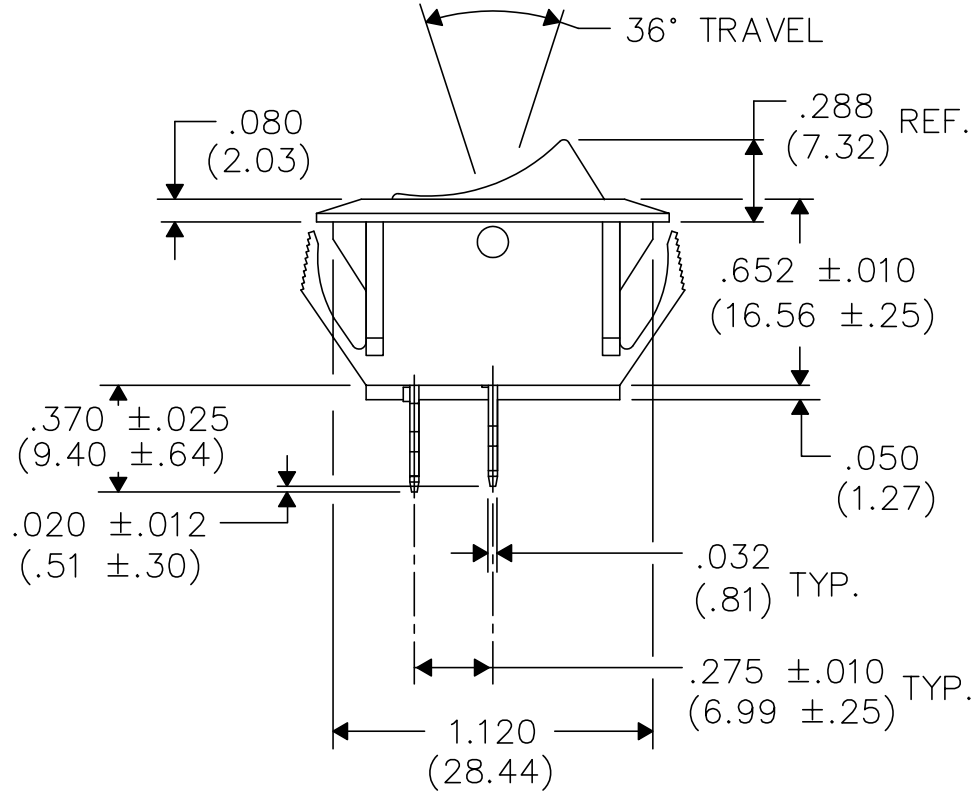
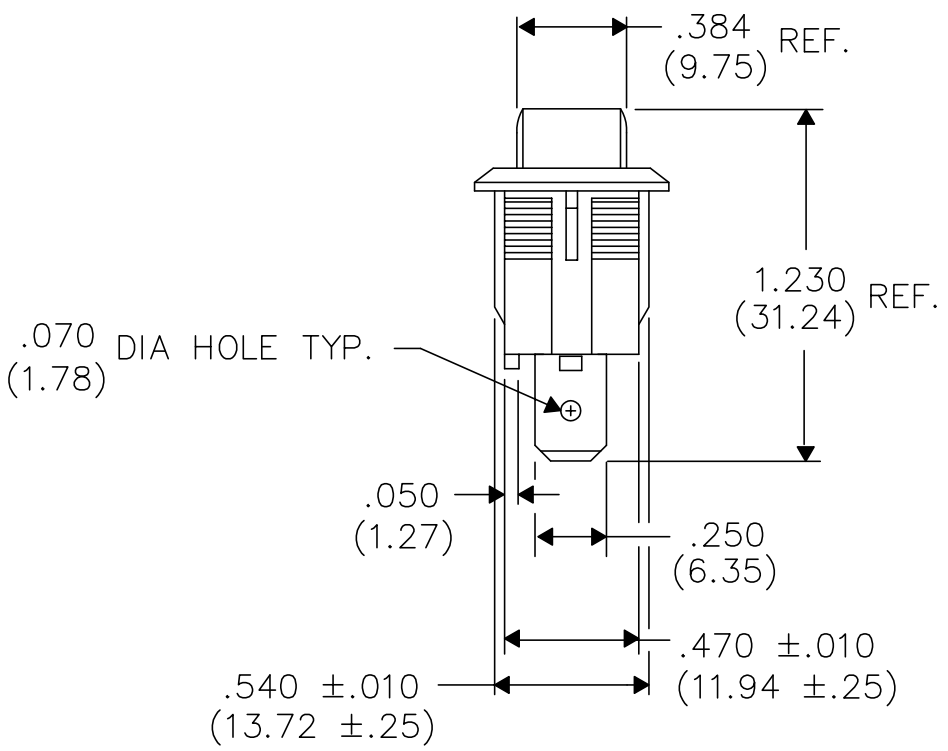
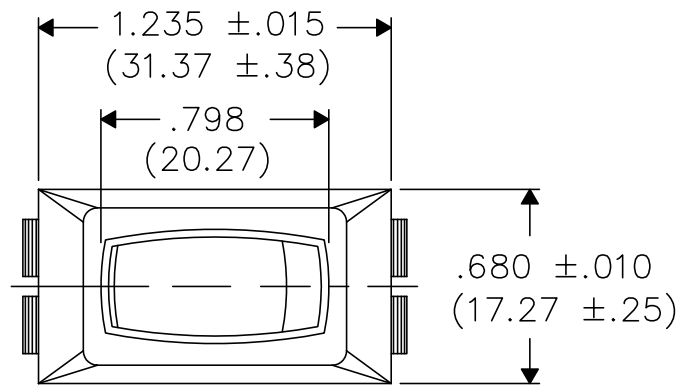
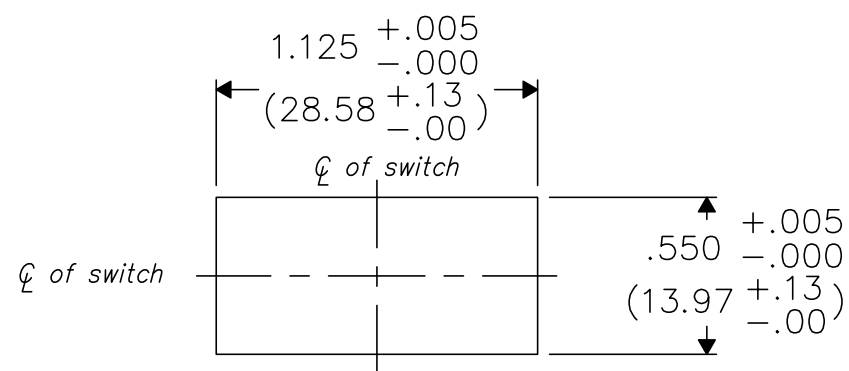


PANEL PIERCING



FORM-B4

REVISIONS

0

RELEASED.  
DGW 3-21-2002

**CW** INDUSTRIES  
Southampton, Pa. 18966

TOLERANCES UNLESS OTHERWISE SPECIFIED	
2 Place Decimal $\pm$ .010	METRIC
3 Place Decimal $\pm$ .005	1 Place Dec. $\pm$ .25mm
Angles ..... $\pm$ 1°	2 Place Dec. $\pm$ .13mm

Made for: CW IND.  
Drawn by: DGW 3-21-2002  
Checked by: GG 3-27-02  
Approval: bf 4-01-02

Title: ASSEMBLY DRAWING  
S.P.S.T. ROCKER SWITCH  
NON-POLARIZED  
1.125"X .550" PANEL

Division: SWITCH  
Dwg. No. GRS-2011-2600

PDF File Made