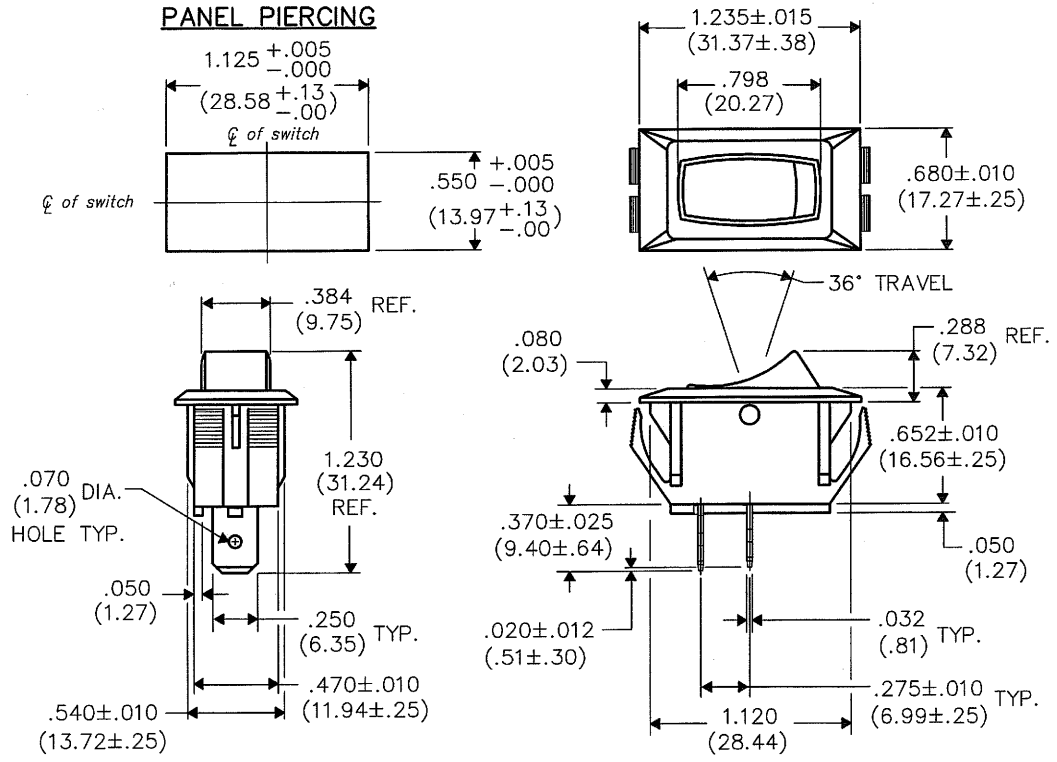


E
D
C
B
A

PANEL PIERCING



1 2 3 4 5 6 7 8 9 10

B-FORMAT 2002
REVISIONS
0

RELEASED:
DGW 8-14-2008
AUG 15 2008

CW INDUSTRIES
Southampton, Pa. 18966

TOLERANCES UNLESS OTHERWISE SPECIFIED

2 Place Decimal ±.010	METRIC
3 Place Decimal ±.005	1 Place Dec. ±.25mm
Angles ±1°	2 Place Dec. ±.13mm

Made for: CW IND.

Drawn by: DGW 8-14-2008

Checked by: G. Guld 8-15-08

Approval: G. Guld 8-15-08

Title: **ROCKER SWITCH S.P.S.T. NO POLAR.,NO BARR.**

Division: **SWITCH**

Dwg. No. **GRS-2011-2019**

MASTER