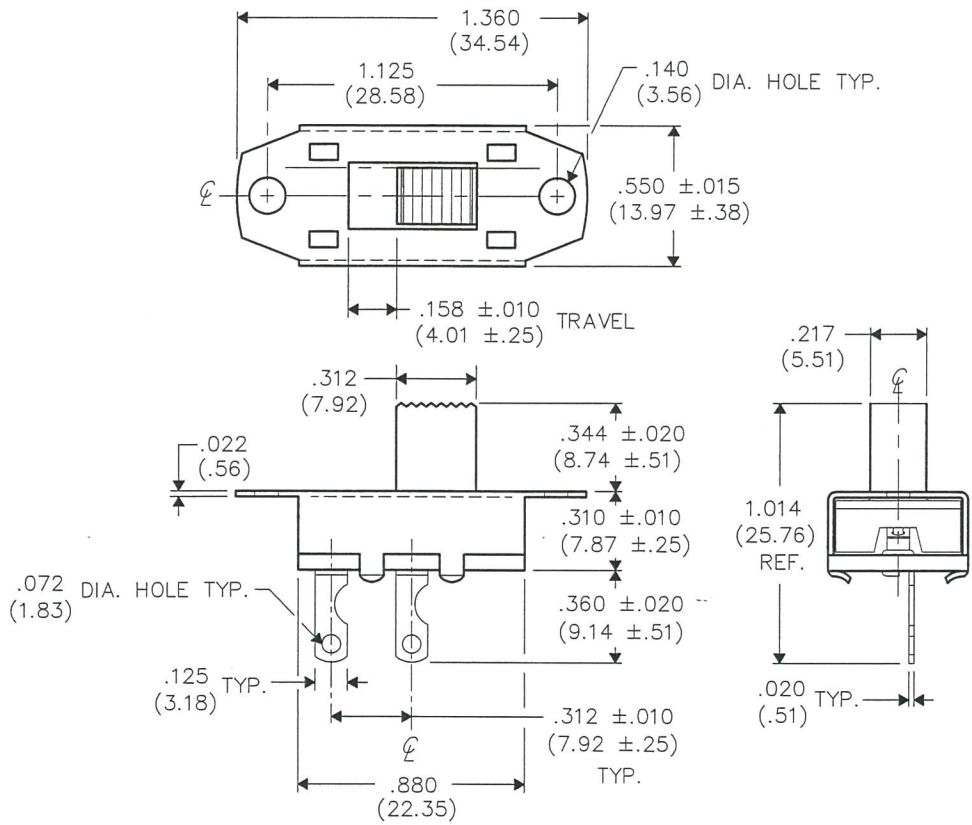


THIS INFORMATION IS CONFIDENTIAL AND PROPRIETARY TO CW INDUSTRIES INCORPORATED AND ITS AFFILIATES. IT MAY NOT BE DISCLOSED TO ANYONE, OTHER THAN CW INDUSTRIES PERSONNEL, WITHOUT WRITTEN AUTHORIZATION FROM CW INDUSTRIES INCORPORATED, SOUTHAMPTON, PENNSYLVANIA USA.

DIMENSIONS IN INCHES (MILLIMETERS) Dwg. No.
 DO NOT SCALE DRAWING GF-1123-0000



ELECTRICAL RATING:
 11A A.C. .5A D.C. 125V.
 5.5A(H) 250 V.A.C.
UL & CSA LISTING

1 2 3 4 5 6 7 8 9 10

B-FORMAT 2002
 REVISIONS

0
 RELEASED: 11-15-13
 DGW NOV 15 2013

CW INDUSTRIES
 Southampton, Pa. 18966
TOLERANCES UNLESS OTHERWISE SPECIFIED
 2 Place Decimal ±.010 METRIC
 3 Place Decimal ±.005 1 Place Dec. ±.25mm
 Angles ±1' 2 Place Dec. ±.13mm

Made for: CW IND.
 Drawn by: DGW 11-15-13
 Checked by: *G. Guild 11-15-13*
 Approval: *G. Guild 11-15-13*

Title: STANDARD SILDE SWITCH S.P.- S.T.
 Division: SWITCH
 Dwg. No. GF-1123-0000

MASTER