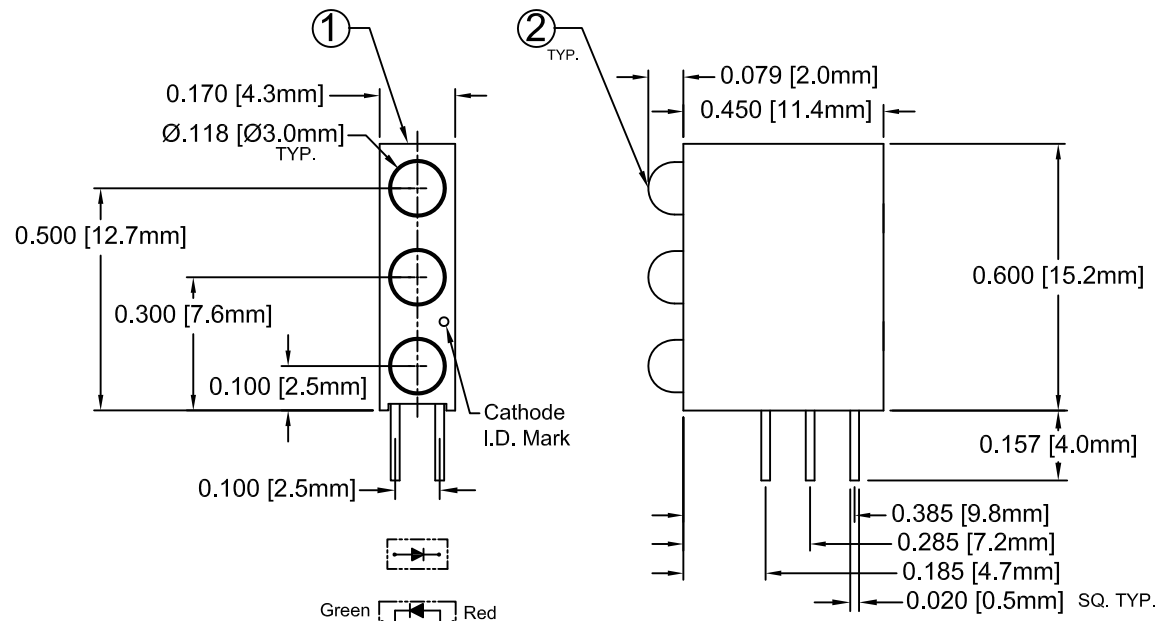
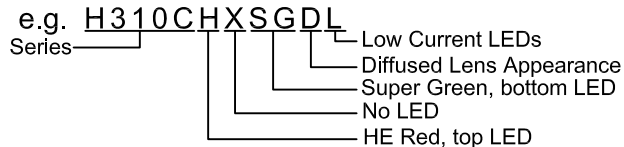
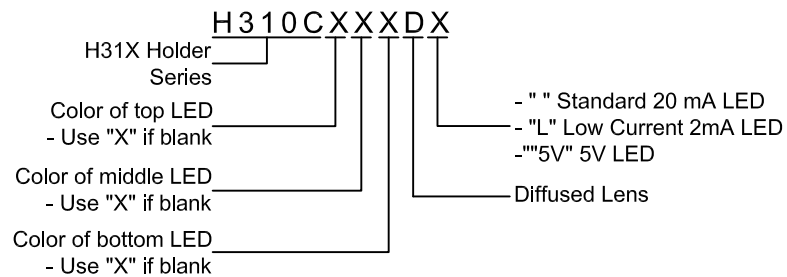


ITEM	Q'TY	PART NUMBER	PART DESCRIPTION
1	1	H-311C	T-1 (3mm) Tri-Level LED Holder, 90° Mount
2	3	3XX-201-S	T-1 (3mm) Extended Profile Shouldered LED, See Page 2 See P/N Configuration for LED Qty

REV.	DESCRIPTION	DATE	APPROVED
C	Added P/N Designation Note	06/05/08	M. C.
D	Added H310CRDL Spec.	08/13/08	M. C.
E	Added H310CBC Specs.	10/14/08	M. C.
F	Removed -RP Spec.	09/21/09	T. Y.
G	Added 3ADL-201-S Specs.	03/05/10	T. Y.

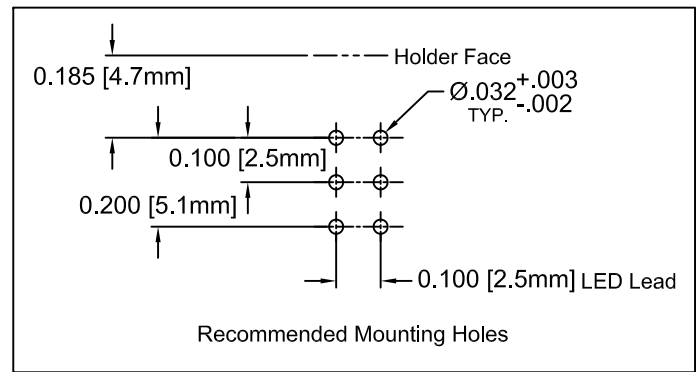


**NOTE: P/N Configuration**



-If LEDs are the same, use e.g. H310CGD

All Green, Standard 20 mA LEDs




**ABSOLUTE MAXIMUM RATINGS (Ta=25° C)**

REVERSE VOLTAGE	5V
REVERSE CURRENT	100uA
OPERATING TEMPERATURE RANGE	-25° C - 85° C
STORAGE TEMPERATURE	-30° C - 100° C
LEAD SOLDERING TEMPERATURE(1/16" FROM BODY)	260° C FOR 5 SECONDS

STANDARD TOLERANCE (UNLESS OTHERWISE SPECIFIED)		 <b>BIVAR</b> <sup>®</sup> 4 THOMAS, IRVINE, CA. 92618 TEL: (949) 951-8808 FAX: (949) 951-3974
DECIMALS	ANGULAR	
.X ±.1	X° ± 1°	<b>TITLE:</b> T-1 (3mm) 90° TRI-LEVEL LED ASSY
.XX ±.02		
.XXX ±.010		<b>PART NO:</b> H310CXX <b>REVISION:</b> G
DESIGNED: Ty Yin	DATE: 03/08/04	<b>CAGE CODE:</b> 32559 <b>SHEET #</b> 1 <b>OF</b> 2 CAD GENERATED DOCUMENT. DO NOT MEASURE DRAWING.
CHECKED: D. Green	DATE: 03/08/04	

REV.	DESCRIPTION	DATE	APPROVED
	SEE SHEET#1.		

LED Assy. No.	Peak Wave Length $\lambda_p$ (nm)	Emitted Color	Lens Appearance	Electro-Optical Data				Viewing Angle $2\theta_{1/2}$ (Deg)	LED P/N
				If (mA)	Vf (V)		Iv (mcd)		
				TYP	TYP	MAX	TYP		
<b>STANDARD</b>				<b>Data @ 20mA</b>					
H310CBWD	430	BLUE	DIFFUSED	20	4.0	4.5	10	35	3BWD-201-S
H310CGD	568	GREEN	DIFFUSED	20	2.1	2.8	25	35	3GD-201-S
H310CGC	568	GREEN	WATER CLEAR	20	2.1	2.8	40	20	3GC-201-S
H310CGT	568	GREEN	TINTED	20	2.1	2.8	40	20	3GT-201-S
H310CSGC	568	SUPER GREEN	WATER CLEAR	20	2.1	2.8	50	20	3SGC-201-S
H310CYD	590	YELLOW	DIFFUSED	20	2.0	2.8	20	35	3YD-201-S
H310CYT	590	YELLOW	TINTED	20	2.0	2.8	40	20	3YT-201-S
H310CSYC	590	SUPER YELLOW	WATER CLEAR	20	2.0	2.8	50	20	3SYC-201-S
H310CHD	625	HE RED	DIFFUSED	20	2.0	2.8	30	35	3HD-201-S
H310CRD	700	RED	DIFFUSED	20	2.1	2.8	2	35	3RD-201-S
H310CRC	700	RED	WATER CLEAR	20	2.1	2.8	3	20	3RC-201-S
H310CRT	700	RED	TINTED	20	2.1	2.8	3	20	3RT-201-S
H310CSR	645	SUPER RED	DIFFUSED	20	1.7	2.4	40	35	3SRD-201-S
H310CSRC	645	SUPER RED	WATER CLEAR	20	1.7	2.4	60	20	3SRC-201-S
H310CBC	635	HE RED	WHITE DIFFUSED	20	2.0	2.8	6	45	3BC-201
	568	GREEN		20	2.1	2.8	6	45	
<b>LOW CURRENT</b>				<b>Data @ 2mA</b>					
H310CADL	605	AMBER	DIFFUSED	2	2.0	2.8	2	35	3ADL-201-S
H310CGDL	568	GREEN	DIFFUSED	2	2.1	2.8	2	35	3GDL-201-S
H310CYDL	590	YELLOW	DIFFUSED	2	2.0	2.6	2	35	3YDL-201-S
H310CHDL	625	HE RED	DIFFUSED	2	2.0	2.6	3	35	3HDL-201-S
H310CRDL	700	RED	DIFFUSED	2	2.1	2.8	0.2	35	3RDL-201-S
<b>5 VOLT</b>				<b>Data @ 5V</b>					
H310CGD5V	568	GREEN	DIFFUSED	10	-	5.0	25	35	3GD5V-201-S
H310CYD5V	590	YELLOW	DIFFUSED	10	-	5.0	20	35	3YD5V-201-S
H310CHD5V	625	HE RED	DIFFUSED	10	-	5.0	30	35	3HD5V-201-S

STANDARD TOLERANCE ( UNLESS OTHERWISE SPECIFIED ) $\pm 10\%$ ALL VALUES		ANGULAR		 <b>BIVAR</b> <sup>®</sup> 4 THOMAS, IRVINE, CA. 92618 TEL: (949) 951-8808 FAX: (949) 951-3974	
DESIGNED: <b>Ty Yln</b>		DATE: <b>03/08/04</b>			
CHECKED: <b>D. Green</b>		DATE: <b>03/08/04</b>		PART NO: <b>H310CXX</b>	
				REVISION: <b>G</b>	
				CAGE CODE : <b>32559</b> SHEET # <b>2 OF 2</b>	
CAD GENERATED DOCUMENT, DO NOT MEASURE DRAWING.					