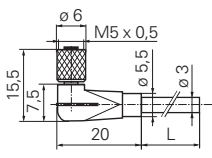
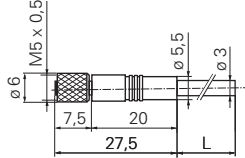

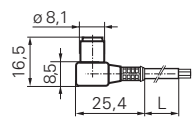

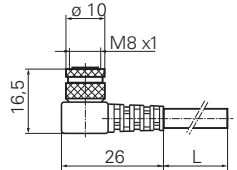
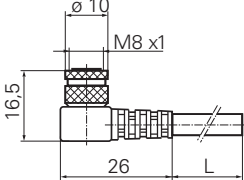
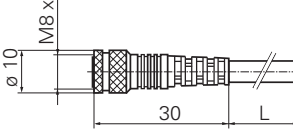
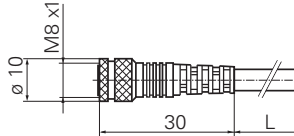


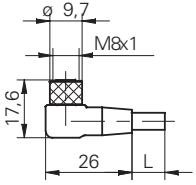
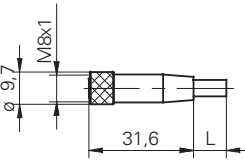
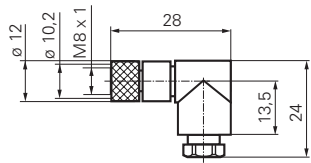
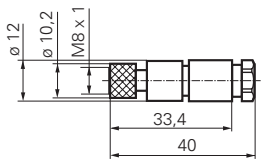
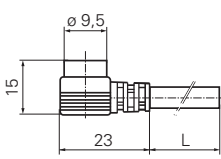

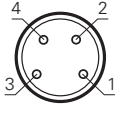


Accessories

Connectors M5 x 0,5 / M8 x 1

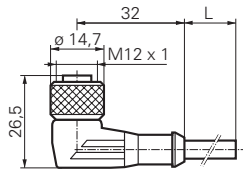
Connector ESW 05S	Connector ESG 05S	Pin-assignment connector M5 x 0,5																																	
 <p style="text-align: center;">see color code for wiring</p>	 <p style="text-align: center;">see color code for wiring</p>																																		
<p>Part number</p> <table border="0"> <tr> <td>ESW 05SP0200</td> <td>3 pin</td> <td>2 m PUR</td> </tr> <tr> <td>ESW 05SP0500</td> <td>3 pin</td> <td>5 m PUR</td> </tr> </table> <p>- with cap nut</p>	ESW 05SP0200	3 pin	2 m PUR	ESW 05SP0500	3 pin	5 m PUR	<p>Part number</p> <table border="0"> <tr> <td>ESG 05SP0200</td> <td>3 pin</td> <td>2 m PUR</td> </tr> <tr> <td>ESG 05SP0500</td> <td>3 pin</td> <td>5 m PUR</td> </tr> </table> <p>- with cap nut</p>	ESG 05SP0200	3 pin	2 m PUR	ESG 05SP0500	3 pin	5 m PUR	<table border="1"> <thead> <tr> <th>Pin-Nr.</th> <th>Color</th> </tr> </thead> <tbody> <tr> <td>1</td> <td>BN (Brown)</td> </tr> <tr> <td>2</td> <td>n.c.</td> </tr> <tr> <td>3</td> <td>BU (Blue)</td> </tr> <tr> <td>4</td> <td>BK (Black)</td> </tr> </tbody> </table>	Pin-Nr.	Color	1	BN (Brown)	2	n.c.	3	BU (Blue)	4	BK (Black)											
ESW 05SP0200	3 pin	2 m PUR																																	
ESW 05SP0500	3 pin	5 m PUR																																	
ESG 05SP0200	3 pin	2 m PUR																																	
ESG 05SP0500	3 pin	5 m PUR																																	
Pin-Nr.	Color																																		
1	BN (Brown)																																		
2	n.c.																																		
3	BU (Blue)																																		
4	BK (Black)																																		
Connector ESW 08S / ES 8A	Connector ESG 09S / ES 9A	Connector ESW 31S																																	
 <p style="text-align: center;">see color code for wiring</p>	 <p style="text-align: center;">see color code for wiring</p>	 <p style="text-align: center;">see color code for wiring</p>																																	
<p>Part number</p> <table border="0"> <tr> <td>ESW 08SH0200</td> <td>3 pin</td> <td>2 m PUR</td> </tr> <tr> <td>ESW 08SH0500</td> <td>3 pin</td> <td>5 m PUR</td> </tr> <tr> <td>ES 8A</td> <td>4 pin</td> <td>2 m PVC</td> </tr> <tr> <td>ES 8A5</td> <td>4 pin</td> <td>5 m PVC</td> </tr> </table> <p>- with clip fastener - PUR, halogen-free</p>	ESW 08SH0200	3 pin	2 m PUR	ESW 08SH0500	3 pin	5 m PUR	ES 8A	4 pin	2 m PVC	ES 8A5	4 pin	5 m PVC	<p>Part number</p> <table border="0"> <tr> <td>ESG 09SH0200</td> <td>3 pin</td> <td>2 m PUR</td> </tr> <tr> <td>ESG 09SH0500</td> <td>3 pin</td> <td>5 m PUR</td> </tr> <tr> <td>ES 9A</td> <td>4 pin</td> <td>2 m PVC</td> </tr> <tr> <td>ES 9A5</td> <td>4 pin</td> <td>5 m PVC</td> </tr> </table> <p>- with clip fastener - PUR, halogen-free</p>	ESG 09SH0200	3 pin	2 m PUR	ESG 09SH0500	3 pin	5 m PUR	ES 9A	4 pin	2 m PVC	ES 9A5	4 pin	5 m PVC	<p>Part number</p> <table border="0"> <tr> <td>ESW 31SH0200</td> <td>3 pin</td> <td>2 m PUR</td> </tr> <tr> <td>ESW 31SH0500</td> <td>3 pin</td> <td>5 m PUR</td> </tr> <tr> <td>ESW 31SH1000</td> <td>3 pin</td> <td>10 m PUR</td> </tr> </table> <p>- with cap nut - halogen-free</p>	ESW 31SH0200	3 pin	2 m PUR	ESW 31SH0500	3 pin	5 m PUR	ESW 31SH1000	3 pin	10 m PUR
ESW 08SH0200	3 pin	2 m PUR																																	
ESW 08SH0500	3 pin	5 m PUR																																	
ES 8A	4 pin	2 m PVC																																	
ES 8A5	4 pin	5 m PVC																																	
ESG 09SH0200	3 pin	2 m PUR																																	
ESG 09SH0500	3 pin	5 m PUR																																	
ES 9A	4 pin	2 m PVC																																	
ES 9A5	4 pin	5 m PVC																																	
ESW 31SH0200	3 pin	2 m PUR																																	
ESW 31SH0500	3 pin	5 m PUR																																	
ESW 31SH1000	3 pin	10 m PUR																																	
Connector ESW 31A	Connector ESG 32S	Connector ESG 32A																																	
 <p style="text-align: center;">see color code for wiring</p>	 <p style="text-align: center;">see color code for wiring</p>	 <p style="text-align: center;">see color code for wiring</p>																																	
<p>Part number</p> <table border="0"> <tr> <td>ESW 31AH0200</td> <td>4 pin</td> <td>2 m PUR</td> </tr> <tr> <td>ESW 31AH0500</td> <td>4 pin</td> <td>5 m PUR</td> </tr> <tr> <td>ESW 31AH1000</td> <td>4 pin</td> <td>10 m PUR</td> </tr> </table> <p>- with cap nut - halogen-free</p>	ESW 31AH0200	4 pin	2 m PUR	ESW 31AH0500	4 pin	5 m PUR	ESW 31AH1000	4 pin	10 m PUR	<p>Part number</p> <table border="0"> <tr> <td>ESG 32SH0200</td> <td>3 pin</td> <td>2 m PUR</td> </tr> <tr> <td>ESG 32SH0500</td> <td>3 pin</td> <td>5 m PUR</td> </tr> <tr> <td>ESG 32SH1000</td> <td>3 pin</td> <td>10 m PUR</td> </tr> </table> <p>- with cap nut - halogen-free</p>	ESG 32SH0200	3 pin	2 m PUR	ESG 32SH0500	3 pin	5 m PUR	ESG 32SH1000	3 pin	10 m PUR	<p>Part number</p> <table border="0"> <tr> <td>ESG 32AH0200</td> <td>4 pin</td> <td>2 m PUR</td> </tr> <tr> <td>ESG 32AH0500</td> <td>4 pin</td> <td>5 m PUR</td> </tr> <tr> <td>ESG 32AH1000</td> <td>4 pin</td> <td>10 m PUR</td> </tr> </table> <p>- with cap nut - halogen-free</p>	ESG 32AH0200	4 pin	2 m PUR	ESG 32AH0500	4 pin	5 m PUR	ESG 32AH1000	4 pin	10 m PUR						
ESW 31AH0200	4 pin	2 m PUR																																	
ESW 31AH0500	4 pin	5 m PUR																																	
ESW 31AH1000	4 pin	10 m PUR																																	
ESG 32SH0200	3 pin	2 m PUR																																	
ESG 32SH0500	3 pin	5 m PUR																																	
ESG 32SH1000	3 pin	10 m PUR																																	
ESG 32AH0200	4 pin	2 m PUR																																	
ESG 32AH0500	4 pin	5 m PUR																																	
ESG 32AH1000	4 pin	10 m PUR																																	

Connectors M8 x 1

Connector	Connector	Connector																		
<p style="text-align: center;">ESW 31AP</p>  <p style="text-align: right;">see color code for wiring</p> <p>Part number ESW 31AP0500G 4 pin 5 m PUR</p> <ul style="list-style-type: none"> - shielded - screen connected with cap nut - PUR, halogen-free 	<p style="text-align: center;">ESG 32AP</p>  <p style="text-align: right;">see color code for wiring</p> <p>Part number ESG 32AP0500G 4 pin 5 m PUR</p> <ul style="list-style-type: none"> - shielded - screen connected with cap nut - PUR, halogen-free 	<p style="text-align: center;">ES 22 / ES 22A</p>  <p>Part number ES 22 3 pin ES 22A 4 pin</p> <ul style="list-style-type: none"> - for self-assembly - with cap nut 																		
<p style="text-align: center;">ES 21 / ES 21A</p>  <p>Part number ES 21 3 pin ES 21A 4 pin</p> <ul style="list-style-type: none"> - for self-assembly - with cap nut 	<p style="text-align: center;">ES 30</p>  <p>Part number ES 30.2 2 pin 2 m PVC</p> <ul style="list-style-type: none"> - for My-Com BS only - with clip fastener 																			
<p style="text-align: center;">Pin-assignment connector 3-pin (M8)</p>  <p style="text-align: center;">viewed from rear of connector</p> <table border="1" style="width: 100%; border-collapse: collapse;"> <thead> <tr> <th>Pin-Nr.</th> <th>Color</th> </tr> </thead> <tbody> <tr> <td>1</td> <td>BN (Brown)</td> </tr> <tr> <td>3</td> <td>BU (Blue)</td> </tr> <tr> <td>4</td> <td>BK (Black)</td> </tr> </tbody> </table>	Pin-Nr.	Color	1	BN (Brown)	3	BU (Blue)	4	BK (Black)	<p style="text-align: center;">Pin-assignment connector 4-pin (M8)</p>  <p style="text-align: center;">viewed from rear of connector</p> <table border="1" style="width: 100%; border-collapse: collapse;"> <thead> <tr> <th>Pin-Nr.</th> <th>Color</th> </tr> </thead> <tbody> <tr> <td>1</td> <td>BN (Brown)</td> </tr> <tr> <td>2</td> <td>WH (White)</td> </tr> <tr> <td>3</td> <td>BU (Blue)</td> </tr> <tr> <td>4</td> <td>BK (Black)</td> </tr> </tbody> </table>	Pin-Nr.	Color	1	BN (Brown)	2	WH (White)	3	BU (Blue)	4	BK (Black)	
Pin-Nr.	Color																			
1	BN (Brown)																			
3	BU (Blue)																			
4	BK (Black)																			
Pin-Nr.	Color																			
1	BN (Brown)																			
2	WH (White)																			
3	BU (Blue)																			
4	BK (Black)																			

Connectors M12 x 1

Connector ESW 33S



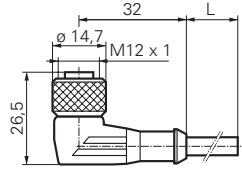
see color code for wiring

Part number

ESW 33SH0200	3 pin	2 m PUR
ESW 33SH0500	3 pin	5 m PUR
ESW 33SH1000	3 pin	10 m PUR

- with cap nut
- halogen-free

Connector ESW 33A



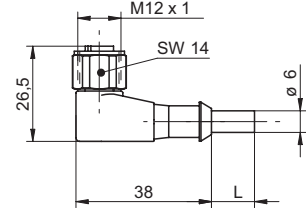
see color code for wiring

Part number

ESW 33AH0200	4 pin	2 m PUR
ESW 33AH0500	4 pin	5 m PUR
ESW 33AH1000	4 pin	10 m PUR

- with cap nut
- halogen-free

Connector ESW 33AF

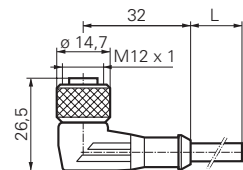


Part number

ESW 33AF0500	4 pin	5 m PVC
---------------------	-------	---------

- with stainless steel cap nut

Connector ES 33C



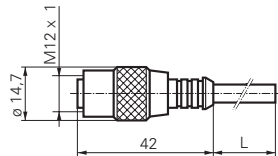
see color code for wiring

Part number

ES 33CP2	5 pin	2 m PUR
ES 33CP5	5 pin	5 m PUR

- with cap nut

Connector ESG 34S



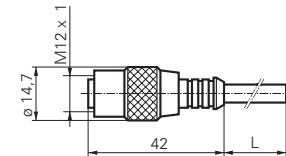
see color code for wiring

Part number

ESG 34SH0200	3 pin	2 m PUR
ESG 34SH0500	3 pin	5 m PUR
ESG 34SH1000	3 pin	10 m PUR

- with cap nut
- halogen-free

Connector ESG 34A



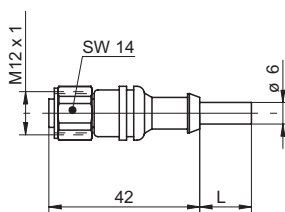
see color code for wiring

Part number

ESG 34AH0200	4 pin	2 m PUR
ESG 34AH0500	4 pin	5 m PUR
ESG 34AH1000	4 pin	10 m PUR

- with cap nut
- halogen-free

Connector ESG 34AF

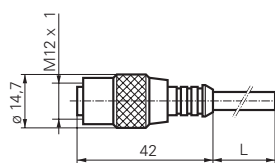


Part number

ESG 34AF0500	4 pin	5 m PVC
---------------------	-------	---------

- with stainless steel cap nut

Connector ES 34C



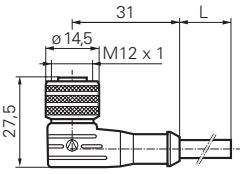
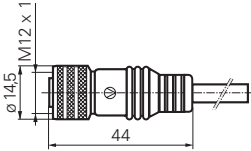
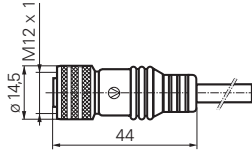
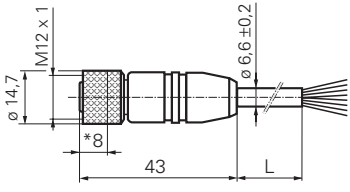
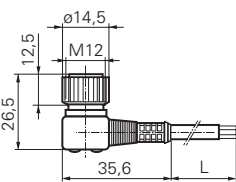
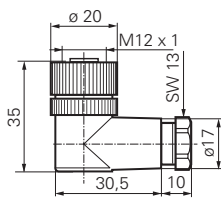
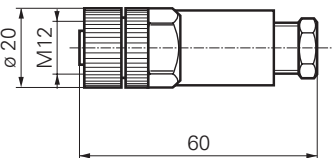
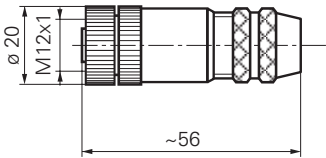
see color code for wiring

Part number


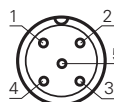
ES 34CP2	5 pin	2 m PUR
ES 34CP5	5 pin	5 m PUR

- with cap nut

Connectors M12 x 1

Connector	ES 33A	Connector	ES 34A	Connector	ES 34C
 <p>see color code for wiring</p>		 <p>see color code for wiring</p>		 <p>see color code for wiring</p>	
<p>Part number</p> <p>ES 33AP2B 4 pin 2 m PUR</p> <p>ES 33AP5B 4 pin 5 m PUR</p> <p>ES 33AP10B 4 pin 10 m PUR</p> <p>- shielded - screen connected with cap nut</p>		<p>Part number</p> <p>ES 34AP2B 4 pin 2 m PUR</p> <p>ES 34AP5B 4 pin 5 m PUR</p> <p>ES 34AP10B 4 pin 10 m PUR</p> <p>- shielded - screen connected with cap nut</p>		<p>Part number</p> <p>ES 34CP2B 5 pin 2 m PUR</p> <p>ES 34CP5B 5 pin 5 m PUR</p> <p>ES 34CP10B 5 pin 10 m PUR</p> <p>- shielded - screen connected with cap nut</p>	
Connector	ESG 34F	Connector	ES 4A	Connector	ES 14 / ES 14C
		 <p>see color code for wiring</p>			
<p>Part number</p> <p>ESG 34FP0200B 8 pin 2 m PUR</p> <p>ESG 34FP0500B 8 pin 5 m PUR</p> <p>- shielded - screen connected with cap nut</p>		<p>Part number</p> <p>ES 4AP5L PNP 4 pin 5 m PUR</p> <p>ES 4AN5L NPN 4 pin 5 m PUR</p> <p>LED 1: +Vs LED 2: output 1</p>		<p>Part number</p> <p>ES 14 PG7 4 pin</p> <p>ES 14C PG7 5 pin</p> <p>- for self-assembly - with cap nut</p>	
Connector	ES 18 / ES 18C	Connector	M12 x 1	Note	
				<p>jacket insulation material: Polyetherurethane TPU 11YH1</p> <p>flame retardent according to: IEC 332-2</p> <p>strand insulation: halogen-free</p>	
<p>Part number</p> <p>ES 18 PG7 4 pin</p> <p>ES 18C PG7 5 pin</p> <p>- for self-assembly - with cap nut</p>		<p>Part number</p> <p>135462 5 pin</p> <p>146775 8 pin</p> <p>- for self-assembly - screen can be connected with cap nut (necessary for sensors with analog output)</p>		<p>Connectors with halogen-free cables</p> <p>- strands UL-style 10493 - PVC- and halogen-free - suitable for flexible cable carriers</p>	

Connectors M12 x 1

Pin-assignment connector 3-pin (M 12)	Pin-assignment connector 4-pin (M 12)	Pin-assignment connector 5-pin (M 12)																																
 <p>viewed from rear of connector</p> <table border="1"> <thead> <tr> <th>Pin-Nr.</th> <th>Color</th> </tr> </thead> <tbody> <tr> <td>1</td> <td>BN (Brown)</td> </tr> <tr> <td>2</td> <td>n.c.</td> </tr> <tr> <td>3</td> <td>BU (Blue)</td> </tr> <tr> <td>4</td> <td>BK (Black)</td> </tr> </tbody> </table>	Pin-Nr.	Color	1	BN (Brown)	2	n.c.	3	BU (Blue)	4	BK (Black)	 <p>viewed from rear of connector</p> <table border="1"> <thead> <tr> <th>Pin-Nr.</th> <th>Color</th> </tr> </thead> <tbody> <tr> <td>1</td> <td>BN (Brown)</td> </tr> <tr> <td>2</td> <td>WH (White)</td> </tr> <tr> <td>3</td> <td>BU (Blue)</td> </tr> <tr> <td>4</td> <td>BK (Black)</td> </tr> </tbody> </table>	Pin-Nr.	Color	1	BN (Brown)	2	WH (White)	3	BU (Blue)	4	BK (Black)	 <p>viewed from rear of connector</p> <table border="1"> <thead> <tr> <th>Pin-Nr.</th> <th>Color</th> </tr> </thead> <tbody> <tr> <td>1</td> <td>BN (Brown)</td> </tr> <tr> <td>2</td> <td>WH (White)</td> </tr> <tr> <td>3</td> <td>BU (Blue)</td> </tr> <tr> <td>4</td> <td>BK (Black)</td> </tr> <tr> <td>5</td> <td>GY (Grey)</td> </tr> </tbody> </table>	Pin-Nr.	Color	1	BN (Brown)	2	WH (White)	3	BU (Blue)	4	BK (Black)	5	GY (Grey)
Pin-Nr.	Color																																	
1	BN (Brown)																																	
2	n.c.																																	
3	BU (Blue)																																	
4	BK (Black)																																	
Pin-Nr.	Color																																	
1	BN (Brown)																																	
2	WH (White)																																	
3	BU (Blue)																																	
4	BK (Black)																																	
Pin-Nr.	Color																																	
1	BN (Brown)																																	
2	WH (White)																																	
3	BU (Blue)																																	
4	BK (Black)																																	
5	GY (Grey)																																	
<p>Pin-assignment connector 8-pin (M 12)</p> <table border="1"> <thead> <tr> <th>Pin-Nr.</th> <th>Color</th> </tr> </thead> <tbody> <tr> <td>1</td> <td>WH (White)</td> </tr> <tr> <td>2</td> <td>BN (Brown)</td> </tr> <tr> <td>3</td> <td>GN (Green)</td> </tr> <tr> <td>4</td> <td>YE (Yellow)</td> </tr> <tr> <td>5</td> <td>GY (Gray)</td> </tr> <tr> <td>6</td> <td>PK (Pink)</td> </tr> <tr> <td>7</td> <td>BU (Blue)</td> </tr> <tr> <td>8</td> <td>RD (Red)</td> </tr> </tbody> </table>	Pin-Nr.	Color	1	WH (White)	2	BN (Brown)	3	GN (Green)	4	YE (Yellow)	5	GY (Gray)	6	PK (Pink)	7	BU (Blue)	8	RD (Red)																
Pin-Nr.	Color																																	
1	WH (White)																																	
2	BN (Brown)																																	
3	GN (Green)																																	
4	YE (Yellow)																																	
5	GY (Gray)																																	
6	PK (Pink)																																	
7	BU (Blue)																																	
8	RD (Red)																																	

PNP to NPN Converter - M8 x 1 **161959**

LED output state indicator LED "power-on" indicator

10, 10

10,5

32 50 51 50 37

ø 10 M8 x 1 M8 x 1 ø 10

ø 12

Pin-Nr.	Color	Signal
1	BN (Brown)	+Vs
3	BU (Blue)	0 V
4	BK (Black)	NPN

for sensors with M8 x 1 three-pin connectors only

PNP to NPN Converter - M12 x 1 **161958**

LED output state indicator LED "power-on" indicator

10, 10

10,5

41 50 51 50 46

ø 14,7 M12 x 1 M12 x 1 ø 14

ø 12

Pin-Nr.	Color	Signal
1	BN (Brown)	+Vs
2	n.c.	n.c.
3	BU (Blue)	0 V
4	BK (Black)	NPN

for sensors with M12 x 1 three-pin connectors only

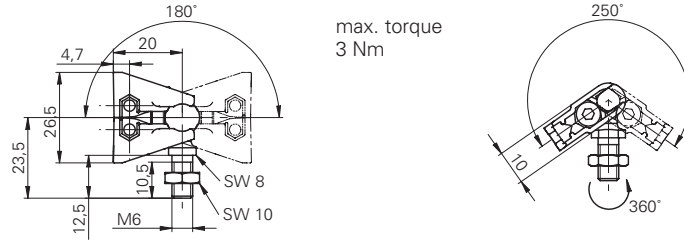
Teach-in Adapter - M12 x 1 **141584**

Pin-Nr.	Ultrasonic	Inductive
1	+Vs	+Vs
2	control/Teach-in	output digital
3	0 V	0 V
4	output	output analog

for inductive analog sensors and ultrasonic sensors only

SENSOFIX - Base module

- Sensor can be aligned in any direction
- Quick and secure mounting
- Several mounting variations

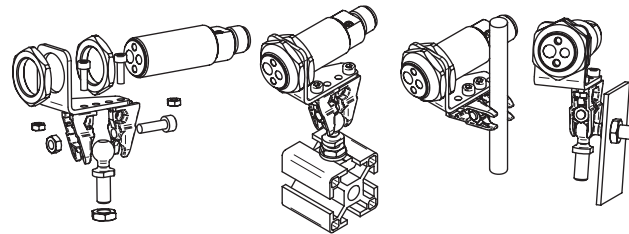


max. torque
3 Nm

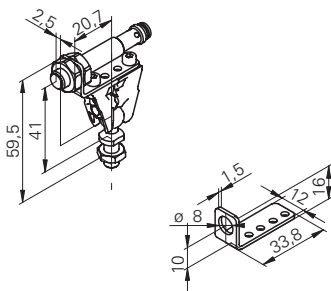
Part number **149010**
 - clamps and mounting panel made of stainless steel
 - ball pivots made of galvanized steel

SENSOFIX - Mounting variations

- Can be mounted on panels, profiles or sheets metal - anywhere an M 6 hole can be drilled
- Mountable on 8 mm diameter rails
- Mounting screws supplied with kit

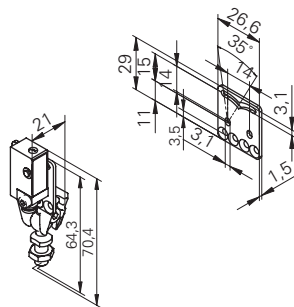


SENSOFIX Series 08 cylindrical



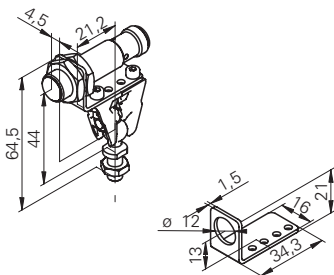
Part number **151719**
 - clamps made of stainless steel
 - ball pivots made of galvanized steel
 - mounting panel made of stainless steel

SENSOFIX Series 10 rectangular



Part number **150326**
 - clamps made of stainless steel
 - ball pivots made of galvanized steel
 - mounting panel made of stainless steel

SENSOFIX Series 12 cylindrical

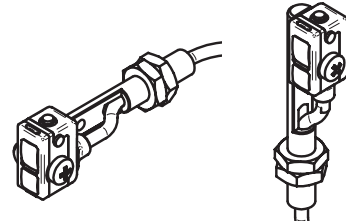
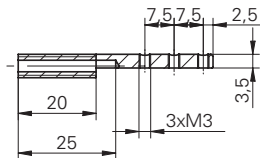
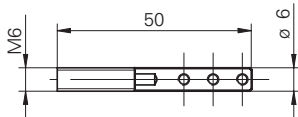


Part number **151720**
 - clamps made of stainless steel
 - ball pivots made of galvanized steel
 - mounting panel made of stainless steel

<p>SENSOFIX Series 12 rectangular</p>	<p>SENSOFIX Series 13 rectangular</p>	<p>SENSOFIX Series 14 rectangular</p>
<p>Part number 150328</p> <ul style="list-style-type: none"> - clamps made of stainless steel - ball pivots made of galvanized steel - mounting panel made of stainless steel 	<p>Part number 161829</p> <ul style="list-style-type: none"> - clamps made of stainless steel - ball pivots made of galvanized steel - mounting panel made of stainless steel 	<p>Part number 149011</p> <ul style="list-style-type: none"> - clamps made of stainless steel - ball pivots made of galvanized steel - mounting panel made of stainless steel
<p>SENSOFIX Series 16 rectangular</p>	<p>SENSOFIX Series 18 cylindrical</p>	<p>SENSOFIX Series 18/20 rectangular</p>
<p>Part number 151721</p> <ul style="list-style-type: none"> - clamps made of stainless steel - ball pivots made of galvanized steel - mounting panel made of stainless steel 	<p>Part number 151658</p> <ul style="list-style-type: none"> - clamps made of stainless steel - ball pivots made of galvanized steel - mounting panel made of stainless steel 	<p>Part number 152385</p> <ul style="list-style-type: none"> - for IWFM 18 housing styles - for 20 series inductive and capacitive sensors
<p>SENSOFIX Series 20 rectangular</p>	<p>SENSOFIX Series 30 rectangular</p>	
<p>Part number 150326</p> <ul style="list-style-type: none"> - clamps made of stainless steel - ball pivots made of galvanized steel - mounting panel made of stainless steel 	<p>Part number 152386</p>	

Mounting kits

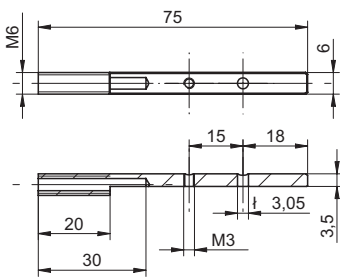
MINOFIX- Mounting kit



Part number 150844

- Material: nickel-plated brass
- For use with *MINOS*
- Kit includes screws and nuts

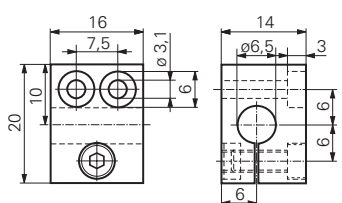
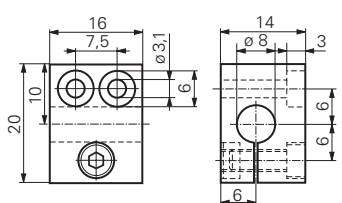
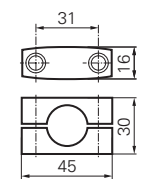
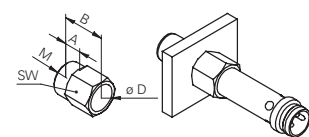

Mounting kit F04



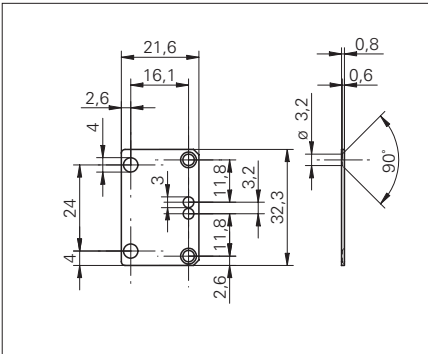
Part number 163196

- Material: nickel-plated brass
- For use with *FHDK 04*

Mounting brackets / Clamping nuts / Test set

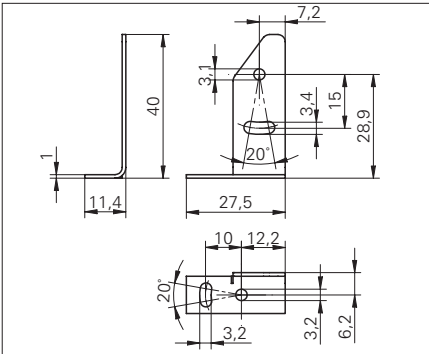
Mounting bracket 109474	Mounting bracket 109475	Mounting bracket (2 pcs) 143377																																
 <p>for 6,5 mm diameter proximity switches material plastic (PA 6.6. black)</p> <p>for mounting use M 3 (3 mm \varnothing) screws</p>	 <p>for 8 mm diameter proximity switches material plastic (PA 6.6. black)</p> <p>for mounting use M3 (3 mm \varnothing) screws</p>	 <p>for M5 hexagon socket</p> <p>for 20 mm diameter proximity switches material plastic (PA 6.6. black)</p>																																
Clamping nuts																																		
 <table border="1" data-bbox="170 1276 568 1400"> <thead> <tr> <th>Type</th> <th>$\varnothing D$</th> <th>M</th> <th>SW</th> <th>B</th> <th>A</th> </tr> </thead> <tbody> <tr> <td>E 3</td> <td>$\varnothing 3$</td> <td>M5 x 0,75</td> <td>5</td> <td>7</td> <td>3</td> </tr> <tr> <td>E 4</td> <td>$\varnothing 4$</td> <td>M6 x 0,75</td> <td>6</td> <td>8</td> <td>3</td> </tr> <tr> <td>E 6,5</td> <td>$\varnothing 6,5$</td> <td>M8 x 0,75</td> <td>8</td> <td>11</td> <td>4</td> </tr> </tbody> </table> <p>for proximity switches $\varnothing 3$, $\varnothing 4$ and $\varnothing 6,5$ mm</p> <table border="1" data-bbox="170 1422 568 1523"> <thead> <tr> <th>Type</th> <th>Part number</th> </tr> </thead> <tbody> <tr> <td>E 3</td> <td>137021</td> </tr> <tr> <td>E 4</td> <td>119345</td> </tr> <tr> <td>E 6,5</td> <td>117742</td> </tr> </tbody> </table>	Type	$\varnothing D$	M	SW	B	A	E 3	$\varnothing 3$	M5 x 0,75	5	7	3	E 4	$\varnothing 4$	M6 x 0,75	6	8	3	E 6,5	$\varnothing 6,5$	M8 x 0,75	8	11	4	Type	Part number	E 3	137021	E 4	119345	E 6,5	117742		
Type	$\varnothing D$	M	SW	B	A																													
E 3	$\varnothing 3$	M5 x 0,75	5	7	3																													
E 4	$\varnothing 4$	M6 x 0,75	6	8	3																													
E 6,5	$\varnothing 6,5$	M8 x 0,75	8	11	4																													
Type	Part number																																	
E 3	137021																																	
E 4	119345																																	
E 6,5	117742																																	
Test set 115437																																		
 <p>This sensor test unit has been designed primarily to test and demonstrate three wire NPN and/or PNP proximity DC switches. Sensor connection is simple using the three spring loaded terminals.</p> <p>Red LED indicates PNP output Green LED indicates NPN output.</p> <p>An internal beeper is also audible when the sensor output is conducting.</p> <p>The unit is powered by two 9 V batteries which are accessed by removing the back panel.</p>																																		

Mounting plate **Series 10**



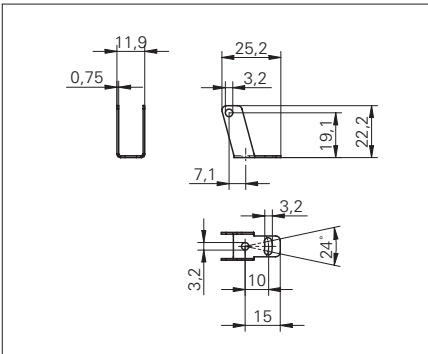
Part number **162083**
 - Material: steel

Mounting bracket **Series 10**



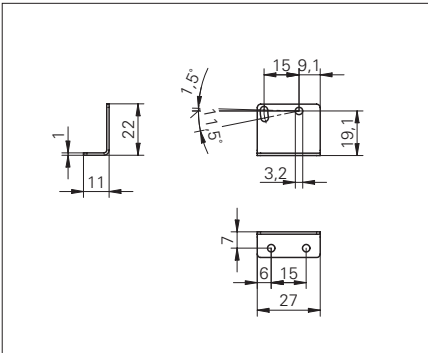
Part number **118798**
 - Material: steel

Mounting bracket **Series 10**



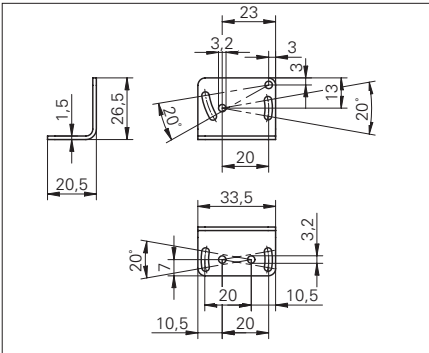
Part number **114501**
 - Material: steel
 - for cable version series 10

Mounting bracket **Series 10**



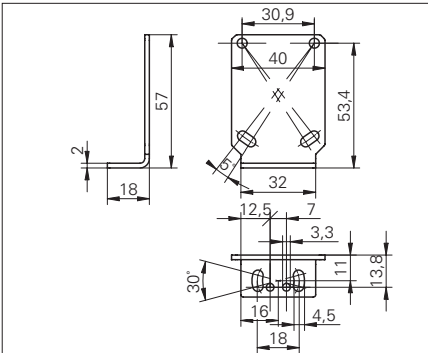
Part number **133792**
 - Material: steel
 - for connector version series 10

Mounting bracket **Series 12**



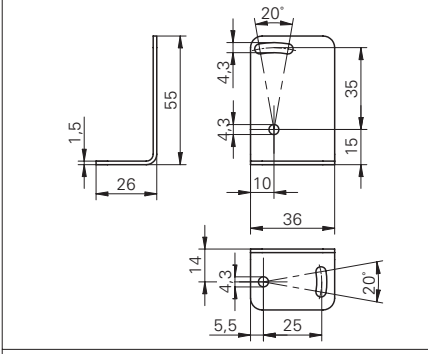
Part number **113873**
 - Material: steel

Mounting bracket **Series 13**



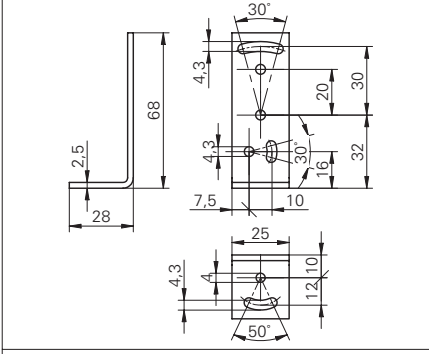
Part number **161695**
 - Material: steel

Mounting bracket **Series 14**



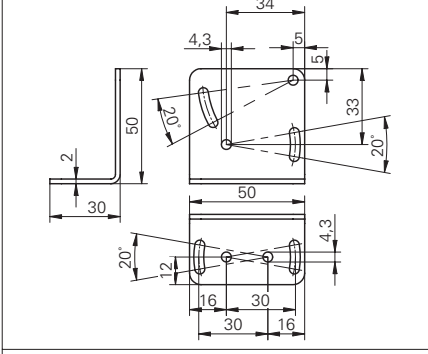
Part number **134964**
 - Material: steel

Mounting bracket **Series 15**



Part number **103415**
 - Material: steel

Mounting bracket **Series 16**

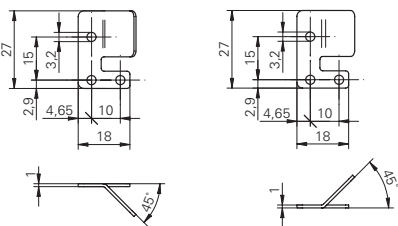
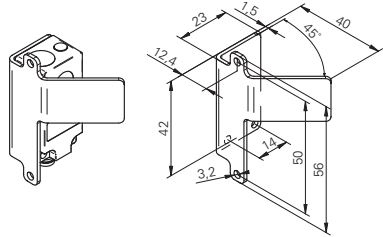


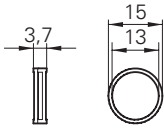
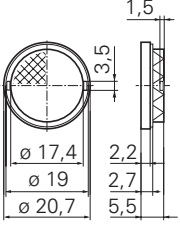
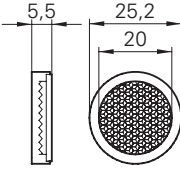
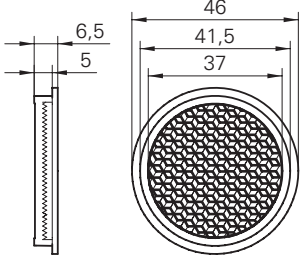
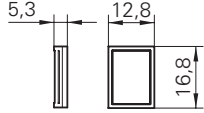
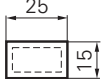
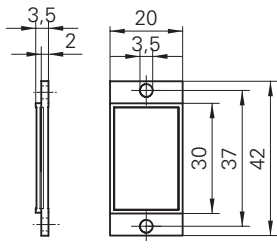
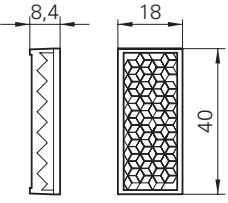
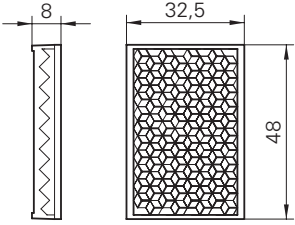
Part number **113917**
 - Material: steel

Mounting brackets

<p>Mounting bracket Series 16</p>	<p>Mounting bracket OADM 20</p>	<p>Mounting bracket Series 22</p>
<p>Part number 119373 - Material: steel - for fine adjustment OSDM 16</p>	<p>Part number 131521 - Material: steel</p>	<p>Part number 126220 - Material: steel - for LOGIPAL and PosCon</p>
<p>Mounting bracket Series 26</p>	<p>Mounting bracket <i>VeriSens</i></p>	<p>Mounting bracket <i>VeriSens</i></p>
<p>Part number 112477 - Material: steel</p>	<p>Part number 159906 - Material: steel - for <i>VeriSens</i></p>	<p>Part number 159905 - Material: steel - for <i>VeriSens</i></p>
<p>Lens cleaning air nozzle bracket Series 16</p>		
<p>Part number 116407 - Material: steel - incl. nozzle</p>		

Accessories ultrasonic sensors / Sonic beam deflectors

Sonic beam deflector Series 10	Sonic beam deflector Series 20	
 <p>Part number 162376 - Material: steel - Set of two (left / right)</p>	 <p>Part number 153290 - Material: steel</p>	

<p>Reflector round</p>	<p>Reflector round</p>	<p>Reflector round</p>
		
<p>Part number FTAR 013A000 - Fastening method self-adhesive - micro structure</p>	<p>Part number FTAR 017A000 - Fastening method self-adhesive</p>	<p>Part number FTAR 020A000 - Fastening method self-adhesive</p>
<p>Reflector round</p>	<p>Reflector rectangular</p>	<p>Reflector rectangular</p>
		
<p>Part number FTAR 036A000 - Fastening method self-adhesive</p>	<p>Part number FTDR 010A014 - Fastening method self-adhesive</p>	<p>Part number FTDR 010D020 - Fastening method self-adhesive - for laser light sensors</p>
<p>Reflector rectangular</p>	<p>Reflector rectangular</p>	<p>Reflector rectangular</p>
		
<p>Part number FTDR 017A027 - Fastening method screw mounting - micro structure</p>	<p>Part number FTDR 015A038 - Fastening method self-adhesive</p>	<p>Part number FTDR 029A046 - Fastening method self-adhesive</p>

Reflector **rectangular**

Part number **FTDR 047A048**
 - Fastening method screw mounting

Reflective tape **rectangular**

Part number **FTDF 020F020**
 - Fastening method self-adhesive
 - for laser light sensors

Reflective tape **By the meter**

Part number **FTDL 050K000/ ... m**
 - Fastening method self-adhesive

Reflector **rectangular**

Part number **FTDR 005I040**
 - Fastening method screw mounting
 - for pocket-size line sensor *PosCon*

Reflector **rectangular**

Part number **FTDR 020I175**
 - Fastening method screw mounting
 - for pocket-size line sensor *PosCon*

Reflector **rectangular**

Part number **FTDR 035I395**
 - Fastening method screw mounting
 - for pocket-size line sensor *PosCon*

Reflective tape **rectangular**

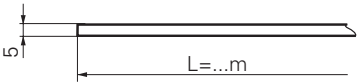
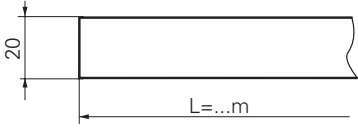
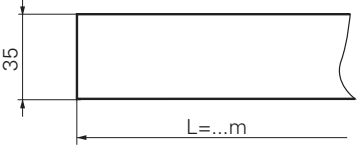
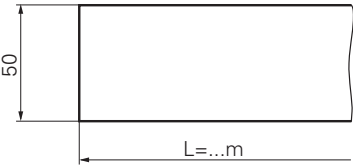
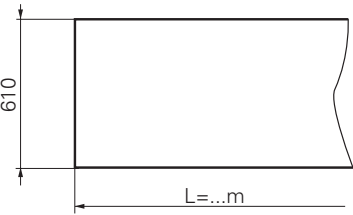
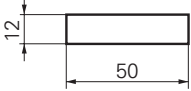



Part number **FTDF 005I040**
 - Fastening method self-adhesive
 - for pocket-size line sensor *PosCon*

Reflective tape **rectangular**

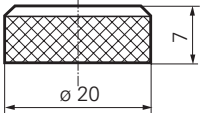
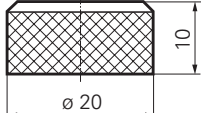
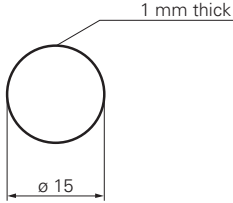
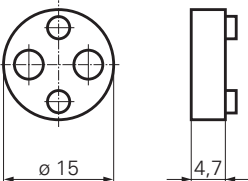
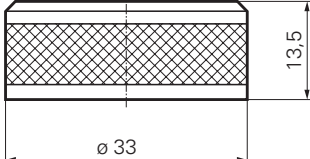
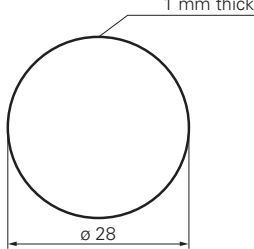
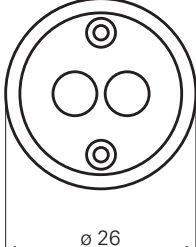
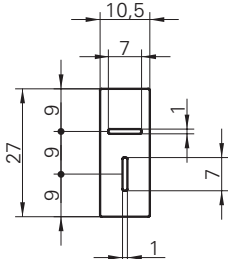
Part number **FTDF 020I175**
 - Fastening method self-adhesive
 - for pocket-size line sensor *PosCon*

Reflective tape **rectangular**

Part number **FTDF 035I395**
 - Fastening method self-adhesive
 - for pocket-size line sensor *PosCon*

Reflective tape By the meter	Reflective tape By the meter	Reflective tape By the meter
		
Part number FTDL 005I000/ ... m - Fastening method self-adhesive - for pocket-size line sensor <i>PosCon</i>	Part number FTDL 020I000/ ... m - Fastening method self-adhesive - for pocket-size line sensor <i>PosCon</i>	Part number FTDL 035I000/ ... m - Fastening method self-adhesive - for pocket-size line sensor <i>PosCon</i>
Reflective tape By the meter	Reflective tape By the meter	Reflective tape rectangular
		
Part number FTDL 050I000/ ... m - Fastening method self-adhesive - for pocket-size line sensor <i>PosCon</i>	Part number FTDL 610I000/ ... m - Fastening method self-adhesive - for pocket-size line sensor <i>PosCon</i>	Part number FTDF 012M050 - Fastening method self-adhesive - for pocket-size line sensor <i>ParCon</i>
Reflector bracket	Reflector bracket	Reflective tape rectangular
		
Part number FTDR 008M030/01 - Bracket with reflector film - for pocket-size line sensor <i>ParCon</i>	Part number FTDR 008M030/21 - Bracket with reflector film - for pocket-size line sensor <i>ParCon</i>	Part number FTDF 050M234 - Fastening method self-adhesive - for pocket-size line sensor <i>ParCon</i>

Accessories photoelectric sensors

<p>Cap nut Series 18</p>	<p>Cap nut Series 18</p>	<p>Glass cover Series 18</p>
		
<p>Part number 103067 - for glass cover</p>	<p>Part number 115913 - for doubling lens and glass cover</p>	<p>Part number 103068</p>
<p>Doubling lens Series 18</p>	<p>Cap nut Series 30</p>	<p>Glass cover Series 30</p>
		
<p>Part number 107250 - to double the sensing distance FZAM 18</p>	<p>Part number 102801 - for glass cover</p>	<p>Part number 103226</p>
<p>Doubling lens Series 30</p>	<p>Slot aperture stickers Series 14</p>	
		
<p>Part number 107408 - to double the sensing distance FZAM 30</p>	<p>Part number 144075 - contents: 2 - self-adhesive</p>	

Accessories photoelectric sensors / Pulse disks

Pulse disks

Pulse disk IPS 70	Pulse disk IPS 70	Pulse disk IPS 70
<p>Part number IPS 70/1</p> <ul style="list-style-type: none"> - Number of pulses: 1 - for fork sensors 	<p>Part number IPS 70/60</p> <ul style="list-style-type: none"> - Number of pulses: 60 - for fork sensors 	<p>Part number IPS 70/100</p> <ul style="list-style-type: none"> - Number of pulses: 100 - for fork sensors

Accessories photoelectric sensors