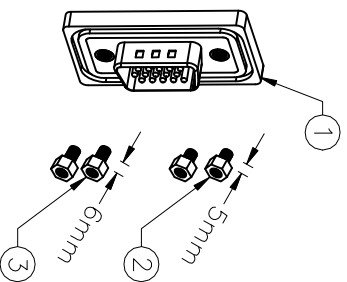
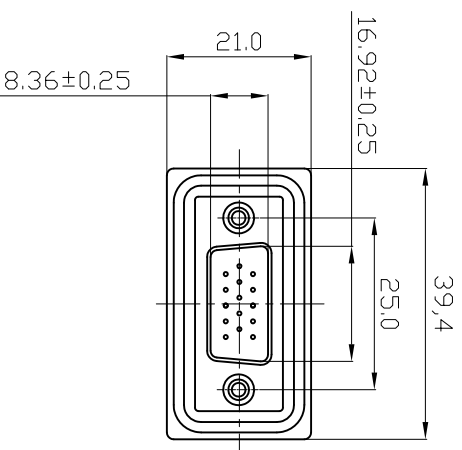
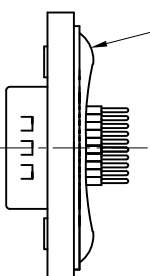
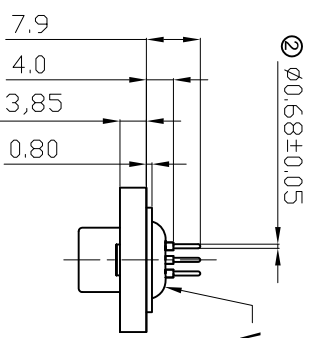
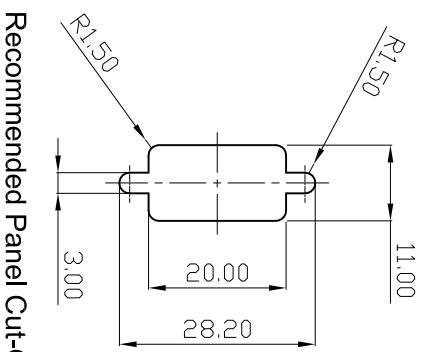


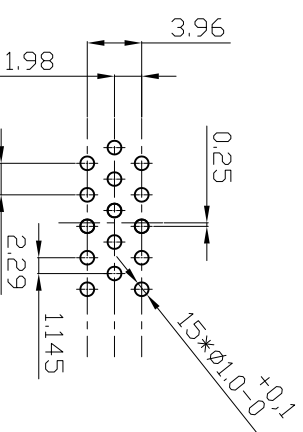
**Panel Thickness**  
 Screw L=5.0 For Panel Thickness  
 Under 1.2mm  
 Screw L=6.0 For Panel Thickness  
 Between 1.2-2.0mm



**NOTES:**

**MATERIAL**

1. Insulator Material: Black, NYLON+G/F
2. Contact Material : Copper Alloy
3. Plating : Gold Plating
4. Waterproof Rate: IP67
5. Do Mating Test After Glued



15 Pin Male Connector  
 PCB Pin Layout  
 Scale 2:1

**RoHS compliant**

Scale	1:1				
TOLERANCE					
X.X	±0.25				
X.XX	±0.10				
X.XXX	±0.05				
DIM	TOL	②	Cancel LOGO and change dimension	Tom	
ANGLE	±1°	①	Drawn	JACK	
X.X°	±X°				
Angle	TOL	Id.	Modification	Date	Name

Date	24.12.2008	Name	JACK
Approved	19.01.2018	Tom	



Customer-No.  
 ASSMANN WSW-No.  
**A-HDS 15 PP-WP**

Drawing-No.  
**ASS 3277 CO**  
 Replace Sheet

A H G G F E D C B A

1 2 3 4 5 6 7