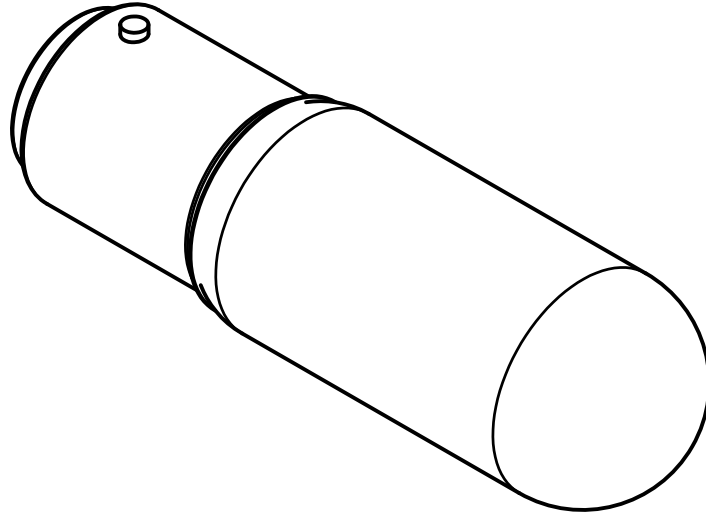
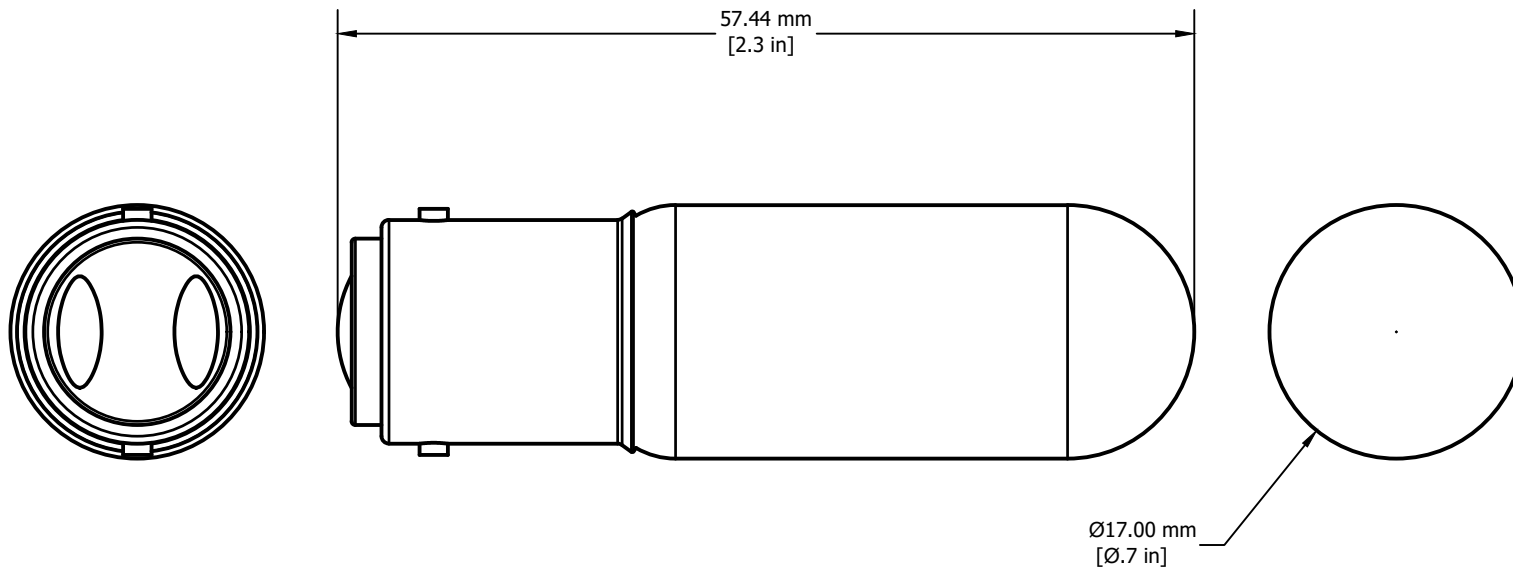


REVISIONS FOR DWG # BA15Dxxx

REV	CH.NO.	DESCRIPTION	DATE	REVISED BY
-	-	ORIGINAL DESIGN	07/26/16	ARON G



Color	Voltage	Cat. No.
Clear	12 V AC/DC	BA15D12
Clear	24 V AC/DC	BA15D24
Clear	48 V AC/DC	BA15D48
Clear	110 V AC/DC	BA15D110
Clear	230 V AC/Dc	BA15D230



UNLESS OTHERWISE SPECIFIED
 • ALL DIMENSIONS ARE IN MILLIMETERS
 • THIRD ANGLE PROJECTION

• TOLERANCE

XX	∅	1.00 mm
XX.X	∅	0.50 mm
XX.XX	∅	0.20 mm
ALL	∅	XX mm

CIRTIM

This Drawing is the property of

Altrech Corp.[®]

35 Royal Road
 Flemington NJ 08822-6000
 (908) 806-9400 • Fax (908) 806-9490

AND IS A CONFIDENTIAL DISCLOSURE
 LENT WITHOUT CONSIDERATION OTHER
 THAN THE BORROWER'S AGREEMENT
 THAT IT SHALL NOT BE REPRODUCED,
 COPIED, LENT, OR DISPOSED OF
 DIRECTLY OR INDIRECTLY NOR USED
 FOR ANY PURPOSE OTHER THAN THAT
 FOR WHICH IT IS SPECIFICALLY
 FURNISHED.

TITLE: Replacement Filament Bulb

DRAWN BY: Aron Gyorgypal	07/26/16	DRAWING NO.:	REV.:
CHECKED BY: Laszlo G	07/26/16	M-Cad-1PB-BA15Dxxx	-
RELEASED BY: Laszlo G	07/26/16	SCALE: -	SHEET: 1 OF: 1