

# Conduit Gland SEM-FAST angled 90° / Quick-Mounting System for Polyflex PA 6 Conduit

**Material:**

- Polyamide 66

**Technical properties:**

- Easy and tight single hand mounting
- Insert tube in "closed" gland
- Special click-in system
- Conical sealing on the corrugated tube

- Thread side sealed by integral sealing ridges

- Gray available
- Conduit can be rotated within the mounting gland
- Halogen free

**Applications:**

All fields using conduit

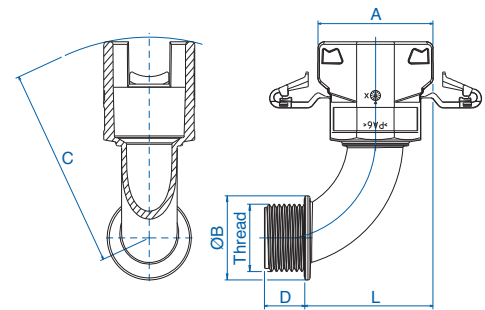
**Mounting instructions:**

Insert the conduit with a short twist all the way into the end of the SEM conduit gland.  
Pull the tube back slightly to latch it securely.



<b>Temperature Range PA 6</b> -40 to 120°C (-40 to 248°F)
--

Thread	Fits NW	D mm	L mm	A mm	B mm	C mm	Cat. No. Black	Std. Pk.
<b>PG</b>								
PG 9	10	12.0	29.0	21.6	20.0	50.0	<b>3805201</b>	50
PG 11	12 + 13	12.0	34.0	25.5	25.0	54.6	<b>3805207</b>	50
PG 16	17	13.0	44.5	34.5	31.0	65.8	<b>3805213</b>	25
PG 21	23	13.0	51.5	42.5	38.0	74.1	<b>3805219</b>	20
PG 29	29	15.0	63.5	49.5	48.0	86.8	<b>3805225</b>	10
PG 36	37	17.0	74.5	59.0	56.0	104.8	<b>3805231</b>	10
PG 48	50	19.0	99.8	72.0	72.0	129.0	<b>3805237</b>	5
<b>Metric</b>								
M 16 x 1.5	10	12.0	29.0	21.6	20.0	50.0	<b>3805200</b>	50
M 20 x 1.5	12 + 13	12.0	34.0	25.5	25.0	54.6	<b>3805206</b>	50
M 20 x 1.5	17	12.0	38.5	34.5	25.0	59.7	<b>3805211</b>	25
M 25 x 1.5	23	13.0	48.5	42.5	31.0	71.3	<b>3805217</b>	20
M 32 x 1.5	29	13.0	54.5	49.5	38.0	77.2	<b>3805223</b>	10
M 40 x 1.5	37	15.0	68.5	59.0	48.0	95.6	<b>3805229</b>	10
M 63 x 1.5	50	19.0	99.8	72.0	72.0	129.0	<b>3805236</b>	5



\*With O-ring, see page 39.