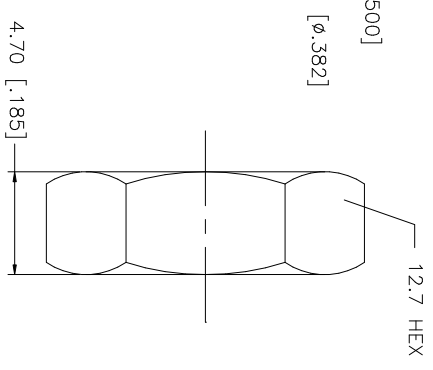
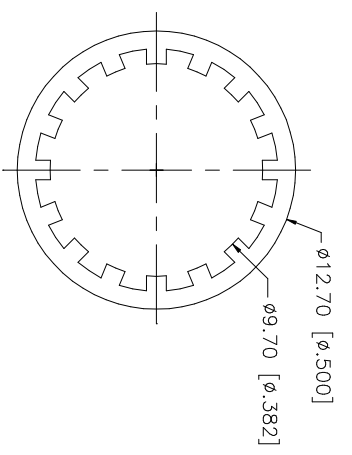
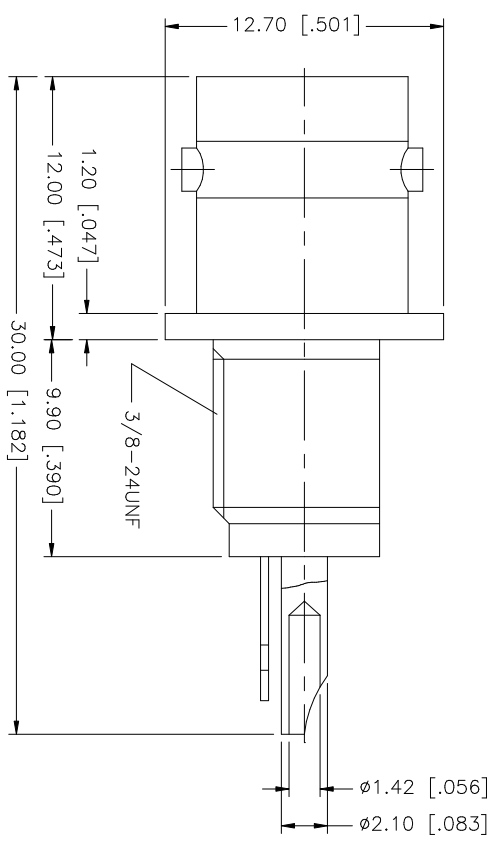
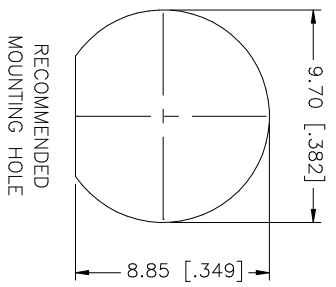


REV.	DATE	DESCRIPTION
A	11/19/03	UPDATE DRAWING FORMAT



NOTE:

1. MAX. PANEL THICKNESS = 3.2mm
2. RECOMMENDED TORQUE: A MAXIMUM 12 INCH-LBS MAY BE APPLIED ON HEX NUT WHEN MOUNTING CONNECTOR IN PANEL

UNLESS OTHERWISE SPECIFIED DIMENSIONS ARE IN MILLIMETERS (DIMENSIONS IN INCHES ARE IN PARENTHESES)	UNLESS OTHERWISE SPECIFIED DIMENSIONS ARE IN INCHES (DIMENSIONS IN MILLIMETERS ARE IN PARENTHESES)	UNLESS OTHERWISE SPECIFIED DIMENSIONS ARE IN INCHES (DIMENSIONS IN MILLIMETERS ARE IN PARENTHESES)	UNLESS OTHERWISE SPECIFIED DIMENSIONS ARE IN INCHES (DIMENSIONS IN MILLIMETERS ARE IN PARENTHESES)	UNLESS OTHERWISE SPECIFIED DIMENSIONS ARE IN INCHES (DIMENSIONS IN MILLIMETERS ARE IN PARENTHESES)	UNLESS OTHERWISE SPECIFIED DIMENSIONS ARE IN INCHES (DIMENSIONS IN MILLIMETERS ARE IN PARENTHESES)	UNLESS OTHERWISE SPECIFIED DIMENSIONS ARE IN INCHES (DIMENSIONS IN MILLIMETERS ARE IN PARENTHESES)	UNLESS OTHERWISE SPECIFIED DIMENSIONS ARE IN INCHES (DIMENSIONS IN MILLIMETERS ARE IN PARENTHESES)	UNLESS OTHERWISE SPECIFIED DIMENSIONS ARE IN INCHES (DIMENSIONS IN MILLIMETERS ARE IN PARENTHESES)	UNLESS OTHERWISE SPECIFIED DIMENSIONS ARE IN INCHES (DIMENSIONS IN MILLIMETERS ARE IN PARENTHESES)	
8										
7										
6										
5	LOCK WASHER	BRASS	NICKEL	1						
4	HEX NUT	BRASS	NICKEL	1						
3	CONTACT PIN	PHOS. BRONZE	GOLD	1						
2	INSULATOR	TEFLON	NATURAL	1						
1	BODY	BRASS	NICKEL	1						
DESCRIPTION		MATERIAL	FINISH	QTY	DO NOT SCALE DRAWING					CAD FILE
										C:/112/112432.DWG
					APPROVALS		DATE	PART DESCRIPTION		
					DRAWN G.R.S.		11/19/03	BNC BULKHEAD RECEPTACLE ISOLATED JACK - 75ohm		
					CHECKED			PART NO. 112432		
					ISSUED			DWG. NO. 112432.DWG		
					SHEET 1 OF 1			REV. A		
								SIZE A		
								SCALE N/A		

Amphenol Connex