

3M™ Static Shielding Bag SCC 1000

Static Shielding Bag ~ Metal-In

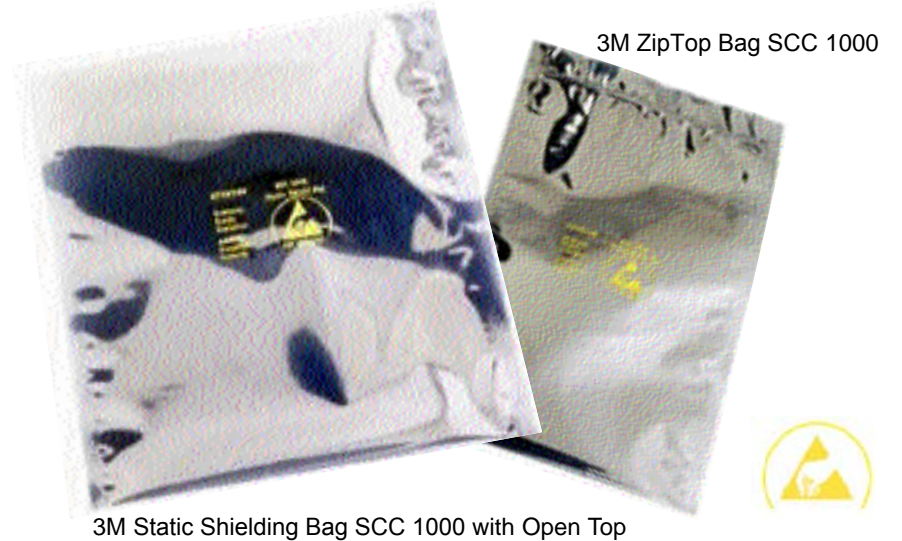
This transparent, metallized static shield bag provides a static safe environment for sensitive electronic devices. Four layer construction. Polyester dielectric and metal layer provide Faraday effect shielding of ESD and fields. Tribocharging is minimized by the specially processed polyethylene. Flat and zipper closure styles. Coded for QC traceability.

Standards

Meets the requirements of MIL-PRF-81705 Type III, EIA 541, EIA 625, MIL-HDBK-263, MIL-STD-1686, and EOS/ESD Standards.

Specifications

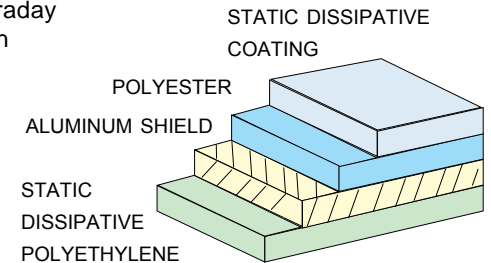
Electrical Properties:		Typical Values	
Surface Resistivity / Resistance	ASTM D257	or	ANSI/ESD STM11.11
Interior	<10 ¹² ohms/square	or	<10 ¹¹ ohms
Exterior	<10 ¹² ohms/square	or	<10 ¹¹ ohms
Metal	100 ohms		
Static Shielding	< 30 volts		MIL-PRF-81705, EIA 541
Static Shielding	< 10 nJ		EOS/ESD S11.31
Static Decay	< 0.05 seconds		MIL-PRF-81705, FTMS 101 MTH 4046
Charge Generation			Modified Inclined Plane
Teflon	0.09 nC/sq.in.		
Quartz	0.01 nC/sq.in.		
Physical Properties:			
Tensile Strength	>25 lbs		ASTM D 882
Seam Strength	Pass		MIL-PRF-81705
Light Transmission	40 %		Tobias
Heat Sealing Conditions			
Temperature	250 F - 375 F		
Time	0.5 - 3.5 seconds		
Pressure	30 - 70 PSI		
Thickness	3.1 mils		3M 008
Outgassing	Pass		ASTM E595
Non-corrosive	Pass		FTMS 101 MTH 3005



3M Static Shielding Bag SCC 1000 with Open Top

Material Structure

3M Static Shielding Bags SCC 1000 open top and ZipTop are manufactured from industry approved Polyester/Metal/Polyethylene laminates. The polyester dielectric in concert with the metal layer provide Faraday Effect shielding of an Electrostatic Discharge (ESD). The metal layer prevents the penetration of damaging electrostatic fields. Tribocharging is minimized by the specially processed polyethylene.



See 3M Data Sheets for these related items:

- 3M™ Static Warning Labels
- 3M™ Heat Sealer

P R O D U C T D A T A S H E E T

SCC 1000 Static Shielding Bag METAL-IN

PRODUCT STATIC SHIELDING BAG, OPEN TOP AND ZIPTOP	ITEM NUMBER 100(W")(L")	DATASHEET 1100-A
---	-----------------------------------	----------------------------

3M Electronic Solutions Division
6801 River Place Blvd.
Austin, TX 78726-9000
US and Canada: **866-722-3736**
Fax: 866-722-3735
Intl: 919-718-0000; Fax: 919-774-8174
email: 3Mstaticinfo@mmm.com; www.3M.com/static

3M is a trademark of 3M Company.
All other trademarks herein are the property of their respective owners.



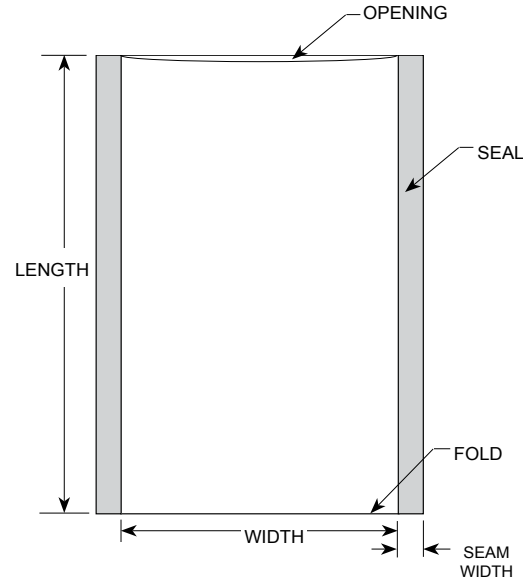
3M™ Static Shielding Bag SCC 1000

Open Top Static Shielding Bag ~ Metal-In

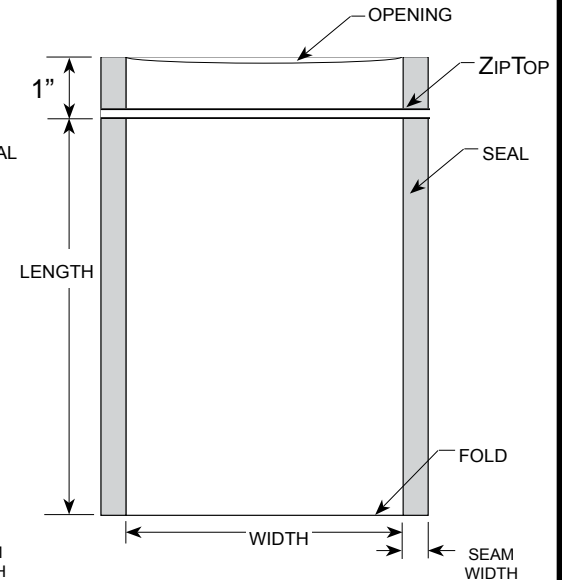
W"x L"	P/N	W"x L"	P/N	W"x L"	P/N
2 x 3	10023	7 x 8	10078	12 x 18	1001218
2 x 4	10024	7 x 10	100710	12 x 24	1001224
2 x 6	10026	7 x 11	100711	12 x 25	1001225
3 x 5	10035	7 x 15	100715	12 x 30	1001230
4 x 4	10044	7 x 16	100716	14 x 16	1001416
4 x 6	10046	8 x 8	10088	14 x 18	1001418
4 x 8	10048	8 x 10	100810	14 x 20	1001420
4 x 24	100424	8 x 12	100812	14 x 30	1001430
4 x 26	100426	8 x 14	100814	15 x 18	1001518
4 x 30	100430	8 x 16	100816	16 x 18	1001618
5 x 6	10056	8 x 18	100818	16 x 20	1001620
5 x 7	10057	8 x 24	100824	16 x 24	1001624
5 x 8	10058	8 x 30	100830	16 x 30	1001630
5 x 10	100510	9 x 12	100912	18 x 18	1001818
6 x 8	10068	10 x 12	1001012	18 x 20	1001820
6 x 9	10069	10 x 14	1001014	18 x 24	1001824
6 x 10	100610	10 x 16	1001016	18 x 30	1001830
6 x 12	100612	10 x 18	1001018	20 x 20	1002020
6 x 14	100614	10 x 24	1001024	20 x 24	1002024
6 x 16	100616	10 x 26	1001026	22 x 24	1002224
6 x 18	100618	10 x 30	1001030	24 x 24	1002424
6 x 24	100624	11 x 14	1001114	24 x 30	1002430
6 x 26	100626	11 x 15	1001115	24 x 36	1002436
6 x 30	100630	12 x 12	1001212	30 x 24	1003024
6.5 x 10	1006.510	12 x 14	1001214		
6.5 x 16	1006.516	12 x 16	1001216		

- All standard sizes in-stock/same day shipment.
- Width is measured from inside seam to inside seam.
- Length is measured from the top edge to the bottom fold.
- Opening is in the "width" dimension.
- Custom bag sizes, custom printing, and custom hot stamping are available.
- Most sizes are packed 100 per case.
Small sizes are packed 1000 or 500 per case.

3M Open Top SCC 1000



3M ZipTop SCC 1000



3M ZipTop SCC 1000

Recloseable Static Shielding Bag ~ Metal-In

W"x L"	P/N	W" x L"	P/N	W" x L"	P/N
2 x 3	30023	6 x 24	300624	11 x 15	3001115
3 x 3	30033	6 x 30	300630	12 x 12	3001212
3 x 5	30035	7 x 15	300715	12 x 16	3001216
4 x 4	30044	8 x 8	30088	12 x 18	3001218
4 x 6	30046	8 x 10	300810	14 x 18	3001418
4 x 8	30048	8 x 12	300812	15 x 18	3001518
4 x 24	300424	9 x 12	300912	16 x 24	3001624
4 x 30	300430	10 x 10	3001010	18 x 18	3001818
5 x 8	30058	10 x 12	3001012	18 x 24	3001824
5 x 10	300510	10 x 14	3001014	20 x 24	3002024
6 x 8	30068	10 x 24	3001024	24 x 24	3002424
6 x 10	300610	10 x 30	3001030		

P R O D U C T D A T A S H E E T

SCC 1000 Static Shielding Bag METAL-IN

PRODUCT
STATIC SHIELDING BAG, OPEN TOP AND ZIPTOP

ITEM NUMBER
100(W")(L")

DATASHEET
1100-A

3M Electronic Solutions Division
6801 River Place Blvd.
Austin, TX 78726-9000
US and Canada: **866-722-3736**
Fax: 866-722-3735
Intl: 919-718-0000; Fax: 919-774-8174
email: 3Mstaticinfo@mmm.com; www.3M.com/static

3M is a trademark of 3M Company.
All other trademarks herein are the property
of their respective owners.



© 2008