

**3-Row Right-Angle Pin Header Assemblies — MIL-C-55302 Qualified**



**Housing Material** — In accordance with MIL-C-55302 or MIL-M-24519 type GLCP-30F

**Contact Material and Finish** — Commercial Flow Solder Contact — Brass per QQ-B-626 plated .000030 [0.00076] gold in the contact area, .000100 [0.00254] tin-lead on the tails over .000050 [0.00127] nickel on the entire contact; Military Flow Solder Contact — Brass per QQ-B-626 plated .000050 [0.00127] gold in the contact area, .000100 [0.00254] tin-lead on the tails over .000050 [0.00127] nickel on the entire contact; Wrap-Type Contact — Phosphor bronze plate .000050 [0.00127] gold over .000030 [0.00076] nickel on the entire contact

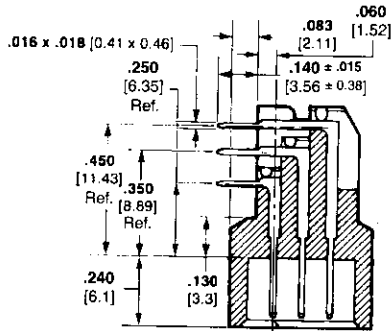
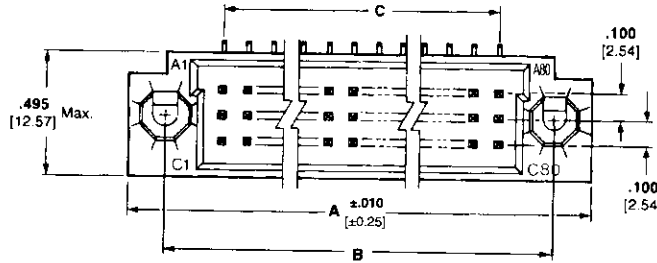
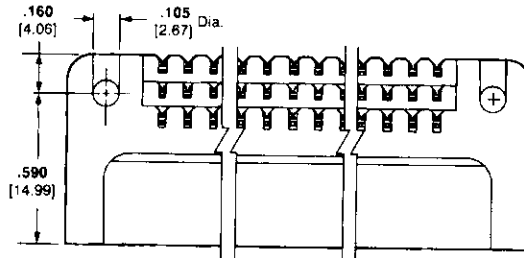
**Related Product Data**

**Mates with** — 3-Row Receptacles, pages 6074-6076

**External Keying** — page 6091

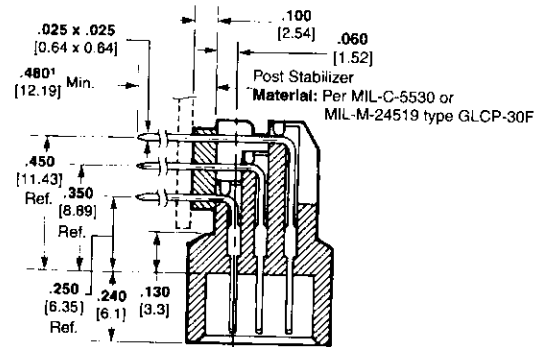
**Recommended PC Board Layout** — page 6087

**Fixed Jackscrew** — page 6072



**Flow Solder Contacts**  
(for use with .096 [2.44] Max. thick PC board)

\*The three rows of posts will not be of equal length.



**Wrap-Type Posted Contacts**

Post Stabilizer  
Material: Per MIL-C-5530 or MIL-M-24519 type GLCP-30F

Printed Circuit Board Connectors

| No. of Pos.      | Dimensions       |                  |                 | Flow Solder Contacts |            |                         |            | Wrap-Type Posted Contacts (2 High) |                    |
|------------------|------------------|------------------|-----------------|----------------------|------------|-------------------------|------------|------------------------------------|--------------------|
|                  | A                | B                | C               | Commercial Part No.  |            | AMP Part No.            |            | AMP Part No.                       |                    |
|                  |                  |                  |                 | Sealed               | Unsealed   | MIL-Part No. M55302/129 | Sealed     | Unsealed                           | Without Stabilizer |
| 300 <sup>1</sup> | 10.750<br>273.05 | 10.450<br>265.43 | 9.900<br>251.46 | 1-447373-1           | —          | —                       | —          | —                                  | —                  |
| 270 <sup>1</sup> | 9.750<br>247.65  | 9.450<br>240.03  | 8.900<br>226.06 | —                    | —          | —                       | —          | —                                  | —                  |
| 240              | 8.750<br>222.25  | 8.450<br>214.63  | 7.900<br>200.66 | —                    | 531137-8   | -18                     | 446852-8   | 531133-8                           | —                  |
| 210              | 7.750<br>196.85  | 7.450<br>189.23  | 6.900<br>175.26 | —                    | 531137-7   | -17                     | 446852-7   | 531133-7                           | —                  |
| 195              | 7.250<br>184.15  | 6.950<br>176.53  | 6.400<br>162.56 | —                    | 1-531137-3 | -16                     | 1-446852-0 | 1-531133-3                         | —                  |
| 180              | 6.750<br>171.45  | 6.450<br>163.83  | 5.900<br>149.86 | —                    | —          | -15                     | 446852-6   | 531133-6                           | —                  |
| 165              | 6.250<br>158.75  | 5.950<br>151.13  | 5.400<br>137.16 | —                    | 531137-5   | -14                     | 446852-5   | 531133-5                           | 532775-3           |
| 150              | 5.750<br>146.05  | 5.450<br>138.43  | 4.900<br>124.46 | —                    | 531137-4   | -13                     | 446852-4   | 531133-4                           | 1-532775-2         |
| 135              | 5.250<br>133.35  | 4.950<br>125.73  | 4.400<br>111.76 | —                    | —          | -12                     | 446852-9   | 1-531133-2                         | —                  |
| 126              | 4.950<br>125.73  | 4.650<br>118.11  | 4.100<br>104.14 | —                    | —          | —                       | —          | 1-531133-0                         | 1-532775-0         |
| 120              | 4.750<br>120.65  | 4.450<br>113.03  | 3.900<br>99.06  | —                    | 531137-3   | -11                     | 446852-3   | 531133-3                           | 532775-8           |
| 105              | 4.250<br>107.95  | 3.950<br>100.33  | 3.400<br>86.36  | —                    | 531137-2   | -10                     | 446852-2   | 531133-2                           | —                  |
| 90               | 3.750<br>95.25   | 3.450<br>87.63   | 2.900<br>73.66  | —                    | 531137-1   | -09                     | 446852-1   | 531133-1                           | —                  |
|                  |                  |                  |                 |                      |            |                         |            |                                    | 447380-5           |

<sup>1</sup>Part Numbers are available upon request.